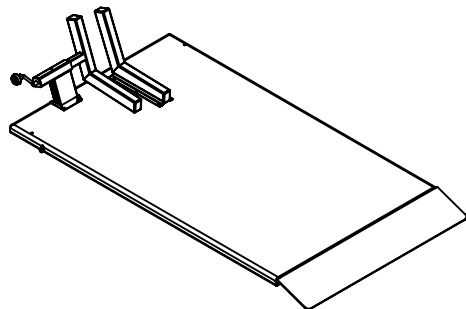
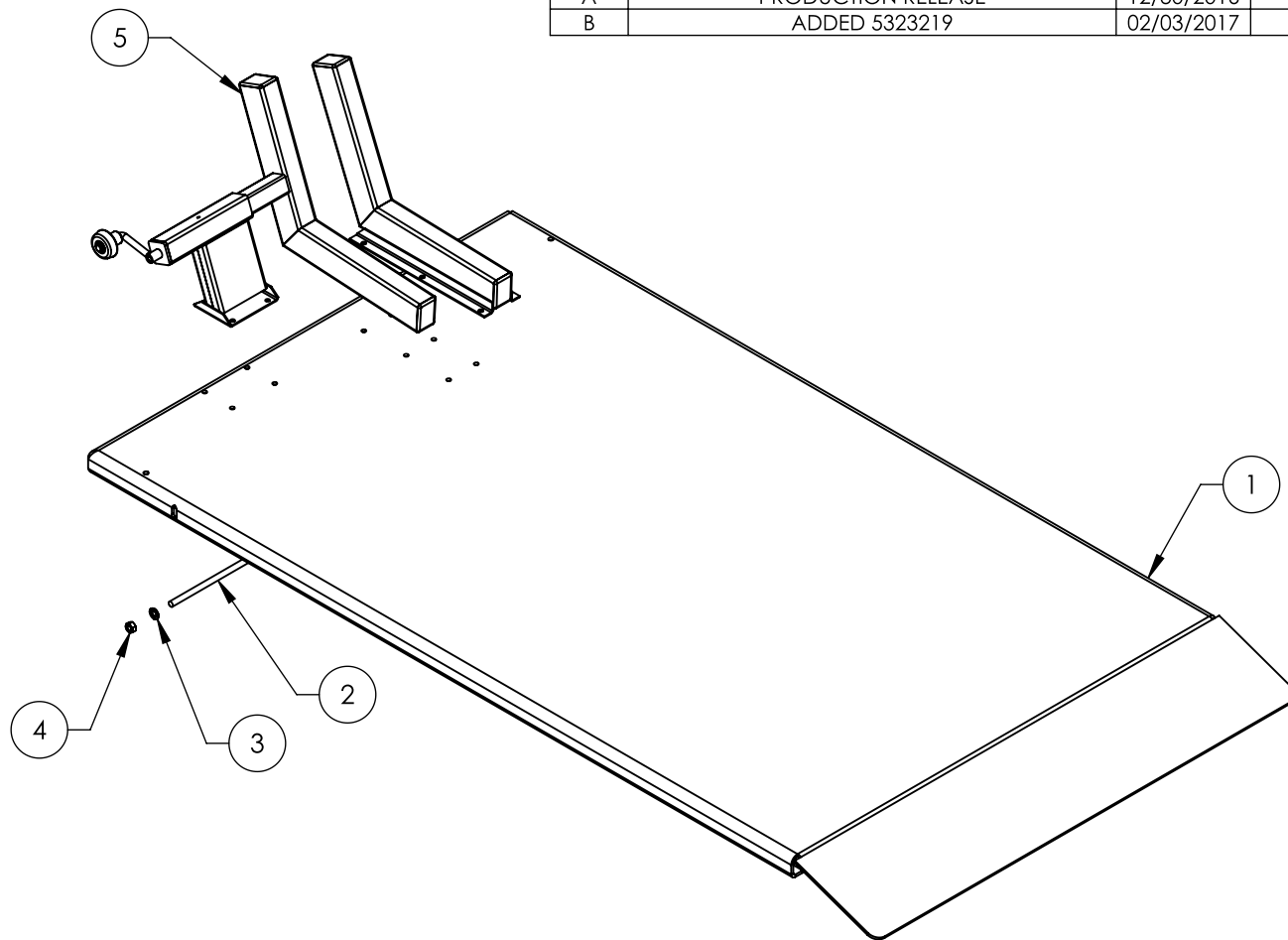


REV	DESCRIPTION	DATE	EDITED BY	ECO#
A	PRODUCTION RELEASE	12/30/2016	TM	00801
B	ADDED 5323219	02/03/2017	TM	00809



ISOMETRIC VIEW  
FOR REFERENCE ONLY  
DO NOT SCALE



ITEM NO	PART NUMBER	DESCRIPTION	QTY	REV
1	5701524	BL-3500/5000/7000 SERIES ATV RAMP ADAPTER	1	A
2	5746441	DOUBLE THREADED ROD M12 x 1.75 x 1222	1	A
3	5545347	WASHER, M12 FLAT WASHER	2	-
4	5535354	NUT M12 x1.75	2	-
5	5323219	WHEEL VISE ASSEMBLY	1	-

DO NOT SCALE DRAWING		NAME	DATE	 1645 LEMONWOOD DR. SANTA PAULA, CA 93060
DRAWN		TM	12/30/2016	
CHECKED				
DIMENSIONS ARE IN MM		THIRD ANGLE PROJECTION		TITLE: BL SERIES ATV RAMP ADAPTER KIT
				SIZE DWG. NO.
				A 5150006
FOR USE WITH		REV		
5260586		B		
5260587				
5260588				
<small>PROPRIETARY AND CONFIDENTIAL THE INFORMATION CONTAINED IN THIS DRAWING IS THE SOLE PROPERTY OF BENDPAK INC. ANY REPRODUCTION IN PART OR AS A WHOLE WITHOUT THE WRITTEN PERMISSION OF BENDPAK INC. IS PROHIBITED.</small>			SCALE: 1:15	SHEET 1 OF 1

# ATV ADAPTER KIT

# QUICKJACK™