

RJ6W

4-Post Bridge Jacks

SKU# 5175248

6,000-Lb. Capacity, Rolling Bridge Jack, Easy-Roll Wheels

BendPak®

Questions? Contact BendPak's Sales Team

sales@bendpak.com | 1-800-253-2363

Monday - Friday, 7AM to 4:30PM PST

6,000-lb. Capacity Bridge Jack Designed for Quatra Scissor Lift

This 6,000-lb. capacity rolling bridge jack is specifically designed for use with a full-sized scissor lift or four-post lift. The RJ6W provides you with the ability and added versatility to raise the wheels off the runways of your car lift.

Features

- 6,000-lb. lifting capacity
- Easy-roll wheels
- Rubber contact pads
- Stackable adapters
- High-pressure hydraulic power unit
- Optional air-line kit

Specifications

Lifting Capacity 6,000 lbs. (2,721 kg)

Suitable Lift Model(s) XR-12000 Series

Min. Drive-Over Height*

Pad Only: 1.25" (32 mm)

Pad + 2.75" Adapter: 4" (102 mm)

Pad + 5.5" Adapter: 6.75" (171 mm)

Max. Lifting Height*

Pad Only: 12" (305 mm)

Pad + 2.75" Adapter: 14.75" (375 mm)

Pad + 5.5" Adapter: 17.5" (445 mm)

Reach

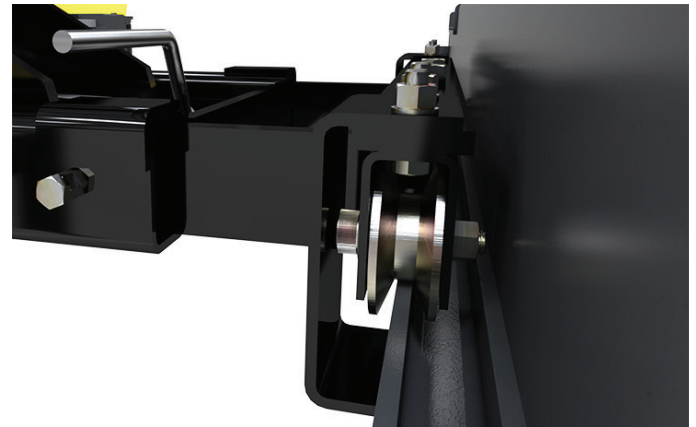
Support Base Width: 36.25" (921 mm) - 47.25" (1,200 mm)

Max. Arm Reach: 56" (1,422 mm)

Min. Arm Reach: 42" (1,067 mm)

Shipping Weight: 426 lbs. (193 kg)

Shipping Dimensions: 41.25" x 25" x 15" (1,048 mm x 635 mm x 381 mm)



Bridge Jack Series

SKU#	Model	Description
5175579	RJ45LP	4,500-lb Capacity
5175247	RJ45W	4,500-lb Capacity
5175248	RJ6W	6,000-lb Capacity
5175249	RJ7W	7,000-lb Capacity
5175252	RJ9W	9,000-lb Capacity
5175031	RBJ15000	15,000-lb Capacity
5175032	RBJ18000	18,000-lb Capacity
5175033	RBJ25000	25,000-lb Capacity

* Dimensions listed are taken from the upper surface of the suitable four-post lift runway.

Note: air-hydraulic pump requires 125 psi and 10-20 CFM.