

BendPak®

16AP & 20AP

16AP | 16AP-192 | 20AP | 20AP-192

MADE STRONG™



16,000 Lb.
Lifting Capacity

16AP | 16AP-192

20,000 Lb.
Lifting Capacity

20AP | 20AP-192



360°

A.S.A.R.S.

AUTOMATIC
SWING ARM
RESTRAINT SYSTEM



Performance Guaranteed*

Telescoping Arms

High-Strength
Multi-Face Columns

1-800-253-2363 | WWW.BENDPAK.COM

© 2024 BendPak Inc. BendPak is a registered trademark.

*For comprehensive details about BendPak's 5-2-1 warranty, visit www.bendpak.com/support/warranty/.



PRODUCT DETAIL

Unleash Power and Precision

From heavy-duty fleet service to airport maintenance and emergency vehicle management, BendPak's 16AP and 20AP Series tackles them all. With plentiful 16,000 and 20,000 pound lifting capacities combined with long-reaching telescoping arms and a sizeable assortment of lifting adapters to accommodate virtually every chassis configuration, our Super-Duty AP Series makes an ideal supplement to existing fleet operations. Over 50 years of lift-building heritage perfectly delivered.

With oversize dimensions and capabilities that go well beyond those typically found on traditional two-post lifts, they lift more, lift higher, reach farther, and realize more vehicle-supporting stability than ever before. And with fewer moving parts, they're less susceptible to wear and tear, easier to maintain and less expensive to operate. And that all adds up to a cost-savings advantage you'll appreciate regardless of your environment. More uptime means more free time.



PERFORMANCE GUARANTEED*

America's best lift is coupled with the best warranty in the business. 5-Years on structure, 2-Years on the hydraulic cylinder(s) and power unit, 1-Year on operating components, electrical, labor, and ground-freight shipping.



50 PLUS YEARS

For over 50 years, BendPak has been pioneering service equipment technology as well as operational and supply systems that are now considered the standard for the entire industry.



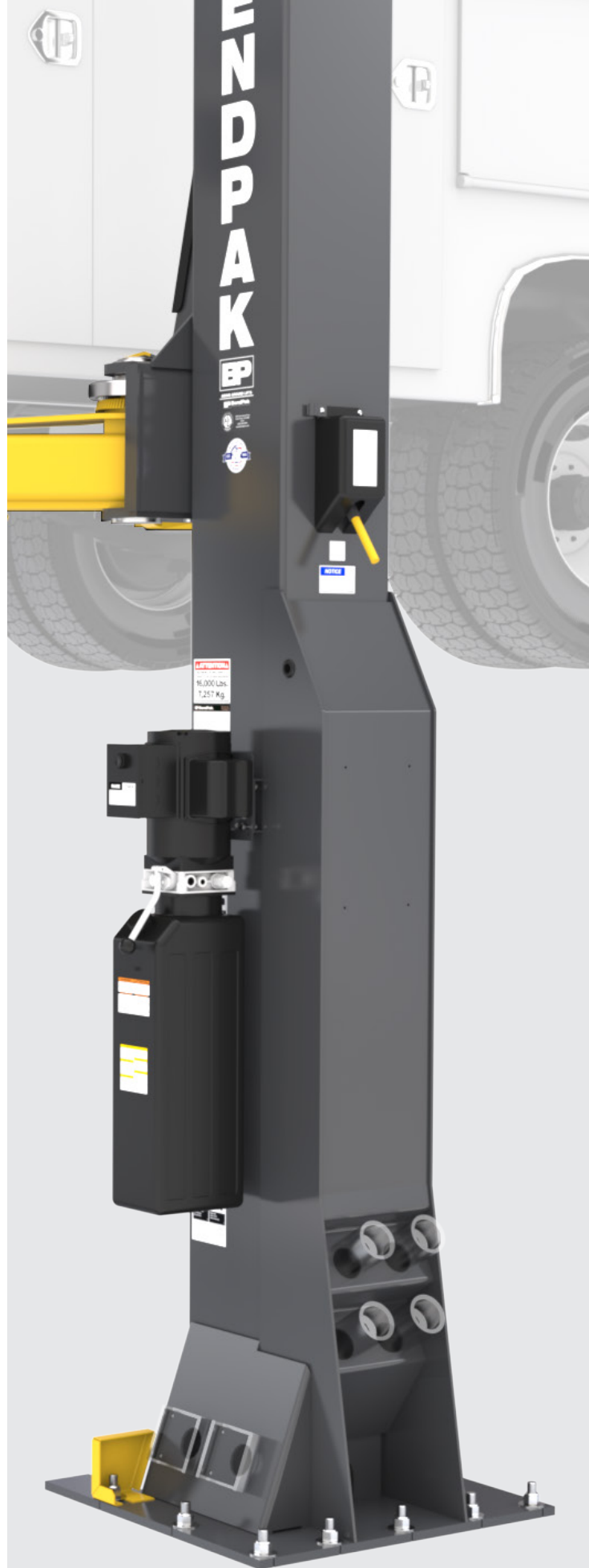
Rugged Enough to Stand Up to Anything.

Every Super-Duty AP Series lift delivers the no-compromise construction, durability, and other advantages that only the industry's number one lift manufacturer can provide. Including the highest consumer confidence and safety rating, longest warranty, lowest cost of ownership and superior ergonomics that make your operators more productive and your operation more profitable. Bottom line, BendPak lifts are designed better, built better, and supported better than any other vehicle service lift in the world. Which explains why BendPak makes and sells more lifts than anyone. And why they also maintain the industry's highest resale value.



High-Strength Multi-Face Columns

Our revolutionary multi-face metal columns redefine strength and durability, especially under biaxial loading conditions. Unlike traditional single-formed columns, our innovative design incorporates multiple faces, strategically engineered to distribute loads more efficiently. This unique configuration enhances the structural rigidity and integrity of the columns, enabling them to withstand higher levels of stress and strain from varying directions simultaneously. By evenly dispersing forces during biaxial loading conditions, our multi-face columns provide unparalleled stability and resilience, ensuring optimal performance even in the most demanding environments, making them the ideal choice for any lifting application.



FEATURES

From accommodating large commercial trucks safer than ever before and lifting and supporting long awkward vehicles effortlessly, our Super-Duty AP Series handles heavy fleet tasks very comfortably. The key? Graciously spaced columns make for easier entry and exit and ruggedly built far reaching arms increase lifting point coverage delivering greater stability.

1. Power Unit

Electric-hydraulic power system with ergonomic push-button controls.

2. Extended Height

192 models offer extended height top-beam provides greater clearance.

3. Adapters Included

Comes with a 12-piece set of lifting adapters to suit your lifting needs.

4. Gunmetal Grey

Durable powder-coat finish gives the lift a sleek appearance.

5. Telescoping Arms

Versatile arms accommodates a wide variety of vehicle chassis.

6. Storage

Conveniently keep lifting adapters on the side of your lift and within arm's reach.

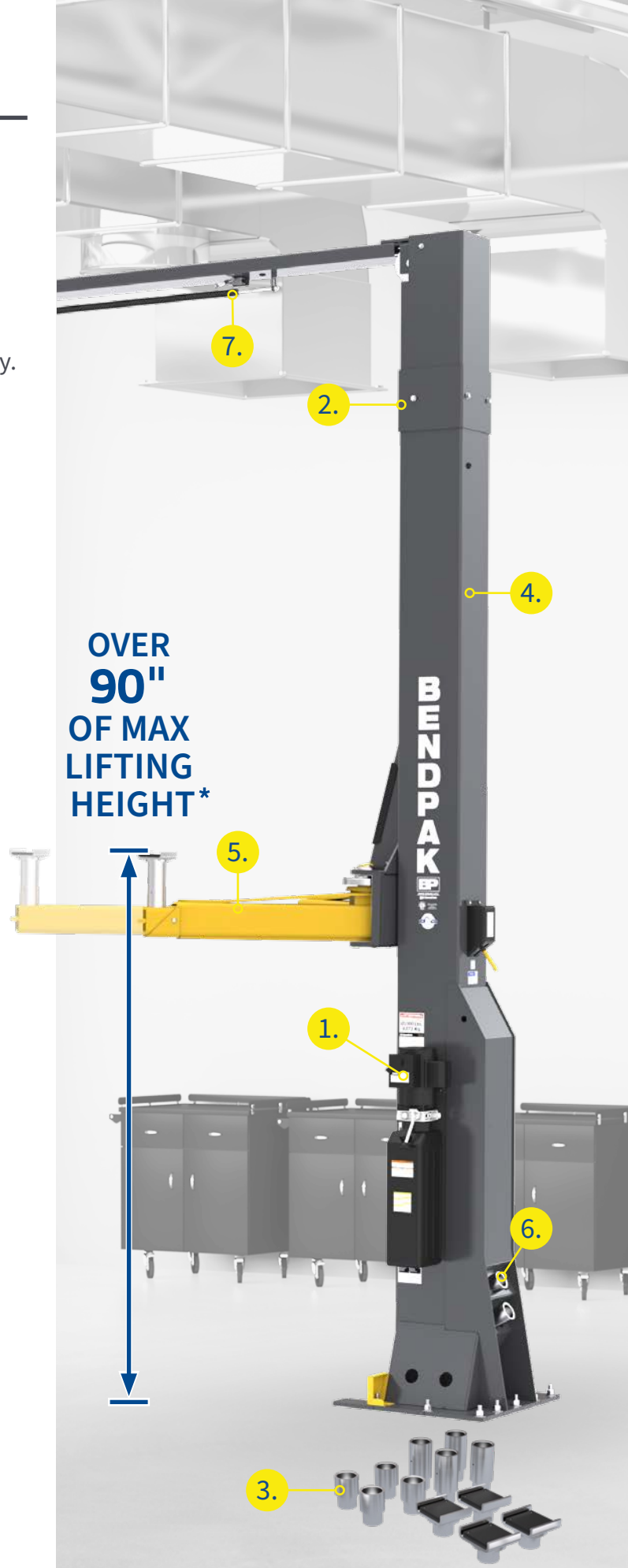
7. Shutoff Bar

Padded overhead safety shutoff bar automatically stops the lift should a vehicle make contact with the overhead structure.



ALI CERTIFIED

The gold ALI Certification badge is the leading nationally recognized standard for car lifts of all designs.



With an impressive rise that exceeds the industry standard, these lifts boast a maximum lifting height of over 90 inches. That means no more bending over or crouching while working beneath the vehicle. This ergonomic advantage not only enhances productivity but also significantly reduces the risk of back strain and musculoskeletal disorders and the potential for workplace injury claims.

8. Lift Dampener

Enjoy softer descents and enhanced safety.

9. Hydraulic Cylinders

The dual direct-drive cylinders result in smoother operation, and less maintenance.

10. Column Safety Locks

Placed every 4" ensures engagement during all lift operations.

11. Equalization System

Failsafe mechanical equalization system maintains equal lifting and provides operators a stable, level vehicle.

12. A.S.A.R.S

Full-perimeter 360-degree arm restraints stand alert at all times and keep the arms from moving when loaded.

13. Safety Lock

Redundant, failsafe mechanisms on each column reliably secure and always hold the lifting carriages and arm assemblies during operation.

14. UHMW

Each ultra-tall lifting carriage feature eight (UHMW ultra-high molecular weight polyethylene) load bearings to evenly disperse both radial and axial load forces throughout all lifting and lowering operations.

15. Columns

Multi-face metal columns redefine strength and durability, especially under biaxial loading conditions.



SPECIFICATIONS

Model	16AP	16AP-192	20AP	20AP-192
SKU	5175608	5175609	5175614	5175615
Lifting Capacity	16,000 lbs. / 7,257 kg		20,000 lbs. / 9,072 kg	
A – Under Clearance ¹ (Top Lock)	76 in. 1,930 mm	76 in. 1,930 mm	76.5 in. / 1,943 mm	
B1 – Max. Lifting Height ² (Top Lock)	82.25 in. / 2,089 mm		82.75 in. / 2,102 mm	
B2 – Max Rise ³	82.75 in. / 2,102 mm		83.25 in. / 2,114 mm	
C – Max. Lifting Height w/ Adapters ⁴	89.75 in. / 2,280 mm		90.25 in. / 2,292 mm	
D – Min. Height w/ Pad	7.75 in. / 195 mm		8 in. / 206 mm	
E – Overall Height	169 in. 4,294 mm	193 in. 4,904 mm	169 in. 4,294 mm	193 in. 4,904 mm
F – Overall Width	168 in. / 4,267 mm			
G – Outside Posts	149 in. / 3,785 mm			
H – Inside Posts	126 in. / 3,199 mm			
I – Drive-Thru Width	107.75 in. / 2,740 mm			
J – Floor to Top Switch	163 in. 4,128 mm	186.5 in. 4,738 mm	162.5 in. 4,128 mm	186.5 in. 4,738 mm
K – Lift Arm Reach ⁵	36 in. / 931 mm (min) 65 in. / 1,651 mm (max)		35 in. / 893 mm (min) 62 in. / 1,678 mm (max)	
L – Base Plate Width	28 in. / 710 mm			
M – Post to Base Plate	9.5 in. / 241 mm			
Max. load per Lift Arm	4,000 lbs. / 2,268 kg		5,000 lbs. / 2,268 kg	
Motor ³ / Sound	220 VAC, 60 Hz, 1 Phase / <70 dB			

(1) Under Clearance is to the bottom of the lift arms while engaged on top locks. (2) Max Lifting Height is with the locks engaged measured to the top of the pad. (3) Max Rise is distance raised to maximum vertical travel, above locks. (4) Max Lifting height is measured with adapters stacked and on top lock positions. (5) Lift Arms are measured from the Lift Arms axis of rotation to the Frame Cradle Pad mounting pin center. **Specifications subject to change without notice.**

Adapters

The 16AP and 20AP lifts come equipped with a comprehensive 12-piece set of lifting adapters, allowing seamless compatibility with a wide range of chassis configurations. This set includes (4) frame cradle pads, (4) medium stacking adapters, and (4) tall stacking adapters, ensuring versatile support for all your lifting needs. Keep them nice and organized with the included Adapter Holder.

Included



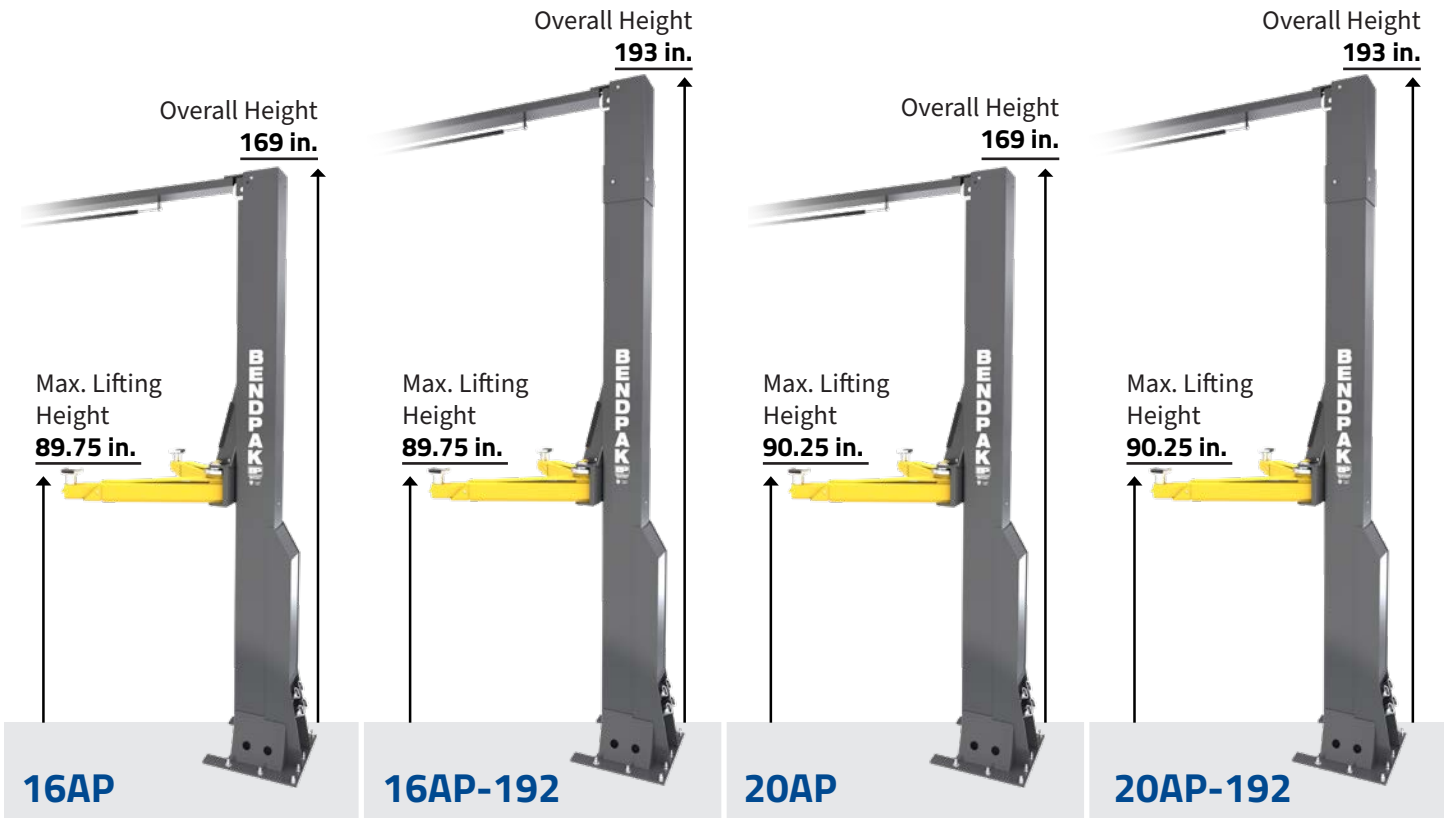
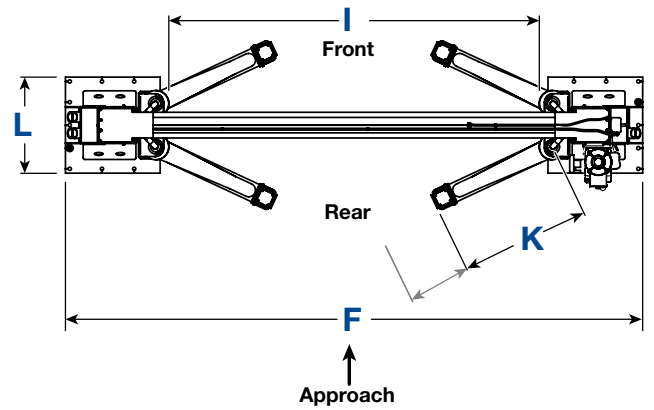
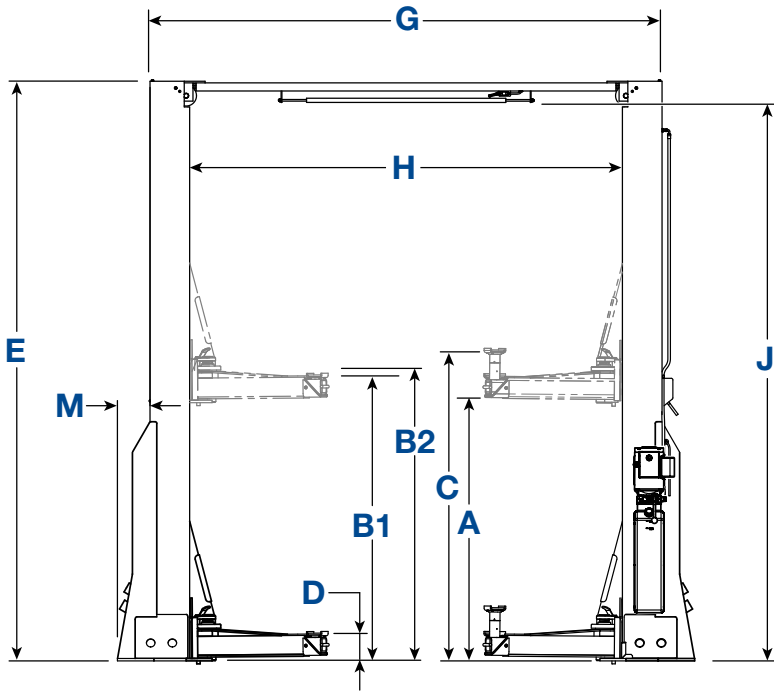
**Drop-In
Cradle Pads**
(Set of 4)
5215761



**5"
Tall Adapters**
(Set of 4)
5215759



**2.5"
Medium Adapters**
(Set of 4)
5215758



5175608

5175609

5175614

5175615

Other Popular Products From BendPak

Octa-Flex™ Series Revolutionizing Vehicle Service

The world's first two-post lift with eight arms introduces a paradigm shift for servicing both regular and electric vehicles. The EV12DPS can securely hoist up to 12,000 lbs. using its primary arms and an additional 2,500 lbs. with its lift assist arms.



Mobi-EV™ Series EV Battery Pack and Powertrain Lift Table

The EVS4500 boasts a 4,500-lb. lift capacity and features a compact design which can be easily transported anywhere in the workplace, making it ideal for multi-bay facilities or workplaces with confined areas. Mobi-EV models feature multiple recessed anchoring locations for accommodating a variety of modular fixtures, adapters, and accessories.

AP-SRT Series Short-Colum/Rise Two-Post Lift

You're not always going to need to stand under a vehicle, and that's where the AP-SRT lifts come in. These short-rise, short-column lifts are perfect for the shop that primarily deals with tire, wheel, and brake service. These short-rise, short-column lifts are the latest addition to the revolutionary AP Series and fit perfectly in shops and low-ceiling garages.



BendPak makes no promises, guarantees or assurances that our products meet any state, county, federal or international mandated permit, license, code, standard, certification, or any other mandate other than what is listed or shown on BendPak website(s), or any online or published catalog. Not all BendPak lift models meet the standards as prescribed by ANSI/ALI ALCTV-(current edition) or ANSI/UL 201. Consult www.autolift.org for a complete list of lift models that meet ANSI/ALI ALCTV-(current edition) or ANSI/UL 201, or contact BendPak via contact@bendpak.com. Buyer assumes full responsibility for any state, county, federal or international mandated permit, license, code, standard, certification, or any other mandate required related to the installation and/or operation of any BendPak or Ranger product. BENDPAK will not be responsible for any charges, fines, liens, or other levies imposed on the Buyer related to any special or regional structural, seismic or any other building code and/or codes such as the Uniform Building Code (UBC), International Building Code (IBC), or any other state, county, federal or international mandated permit, license, code, standard, certification, or other mandate, law, rule, regulation or directive by any other agency, government, administrations, or corporations whether state, county, federal, or international mandated.

Sourcewell 

Awarded Contract

Contract # 121223-BND