

# 10AP PRO SERIES

10,000 lbs. CAPACITY

**10AP**  
Overall Height  
145 in.

Max. Lifting  
Height 82.5 in.

5175304

**10AP-168** Overall Height  
168 in.

Column extension  
adds 24" of  
additional under-  
clearance height for  
Euro-style cargo vans

Max. Lifting  
Height 82.5 in.

5175305

**10APX**  
Overall Height  
157 in.

Max. Lifting  
Height 89 in.

5175306

**10APX-181** Overall Height  
181 in.

Column extension  
adds 24" of  
additional under-  
clearance height for  
Euro-style cargo  
vans

Max. Lifting  
Height 89 in.

5175307

## 10AP PRO

#5175639



### INCLUDES:

- 10AP Two-Post Lift
- Frame Cradle Pads
- Medium Adapters
- Tall Adapters
- Air-Electric Workstation

## 10AP-168 PRO

#5175644



### INCLUDES:

- 10AP-168 Two-Post Lift
- Frame Cradle Pads
- Medium Adapters
- Tall Adapters
- Air-Electric Workstation

## 10APX PRO

#5175648



### INCLUDES:

- 10APX Two-Post Lift
- Frame Cradle Pads
- Medium Adapters
- Tall Adapters
- Air-Electric Workstation

## 10APX-181 PRO

#5175649



### INCLUDES:

- 10APX-181 Two-Post Lift
- Frame Cradle Pads
- Medium Adapters
- Tall Adapters
- Air-Electric Workstation

## TWO-POST LIFT ADAPTER KIT - DELUXE

- Frame Cradle Pads
- Medium Adapters
- Tall Adapters

FITS 10AP SERIES

#5210480



## TWO-POST LIFT ADAPTER KIT - PRO

- Frame Cradle Pads
- Medium Adapters
- Tall Adapters
- Air-Electric Workstation

FITS 10AP SERIES

#5210481

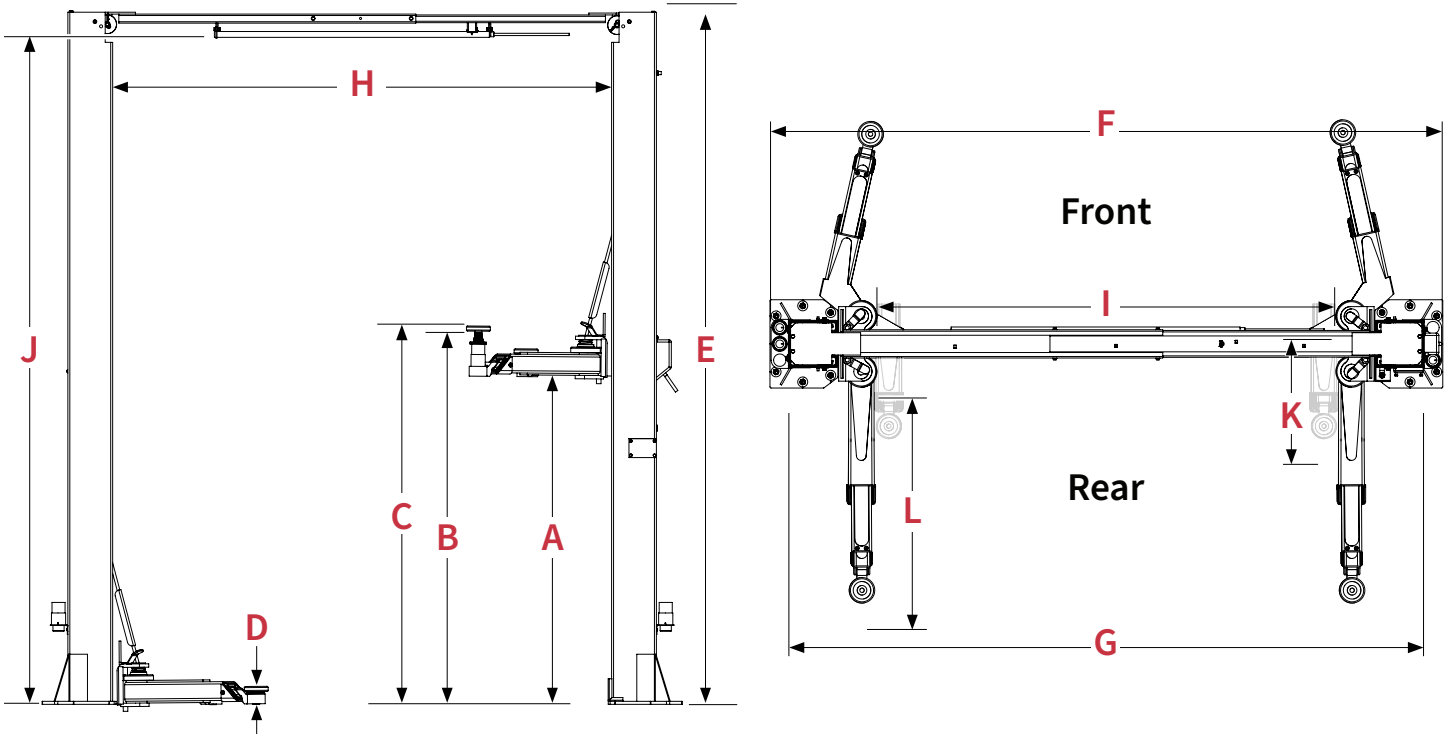


SHOP NOW at [www.bendpak.com](http://www.bendpak.com)



**BendPak**

# SPECIFICATIONS



Model	10AP	10AP-168	10APX	10APX-181
SKU	5175304	5175305	5175306	5175307
Lifting capacity	10,000 lbs. / 4,536 kg			
Max. Capacity	5,000 / 2,268 kg (Front Axle)		5,000 / 2,268 kg (Rear Axle)	
A – Max. Rise	69 in. / 1,753 mm		75.5 in. / 1,918 mm	
B – Lifting Height <sup>1</sup>	73 in. / 1,854 mm		79.5 in. / 2,019 mm	
C – Max. Lifting Height <sup>1</sup>	82.5 in. / 2,095 mm		89 in. / 2,261 mm	
D – Min. Height <sup>1</sup>	4 in. / 102 mm			
E – Overall Height	145 in. / 3,683 mm	168 in. / 4,267 mm	157 in. / 3,988 mm	181 in. / 4,597 mm
F – Overall Width	135 in. / 3,431 mm (Narrow)		145 in. / 3,683 mm (Wide)	
G – Outside Columns	127.5 in. / 3,238 mm (Narrow)		137.5 in. / 3,492 mm (Wide)	
H – Inside Posts	108.5 in. / 2,756 mm (Narrow)		118.5 in. / 3,010 mm (Wide)	
I – Drive-Thru	92 in. / 2,337 mm (Narrow)		102 in. / 2,591 mm (Wide)	
J – Floor to Top Switch	140 in. / 3,556 mm	163 in. / 4,140 mm	152 in. / 3,861 mm	176 in. / 4,470 mm
K – Front Arm Reach	22 in. / 559 mm (min)		47.5 in. / 1,206.5 mm (max)	
L – Rear Arm Reach	29.5 in. / 750 mm (min)		57 in. / 1,448 mm (max)	
Max. load per Lift Arm	2,500 lbs. / 1,134 kg			
Screw Pad Adjustment	2 in. / 51 mm			
Time to Full Rise <sup>3</sup>	≈ 45 seconds			
Motor <sup>2</sup>	220 VAC, 60 Hz, 1 Phase			
Sound	<70 dB			

(1) Lifting Height is maximum lifting height of lift with contact pads adjusted to low setting and no adapter(s). Maximum Lifting Height is maximum lifting height of lift with contact pads adjusted to high setting and with both tall and medium adapters installed (Sold Separately). (2) Special voltages available upon request. (3) Actual rise and descent times vary depending on vehicle weight. Specifications subject to change without notice.

SHOP NOW at [www.bendpak.com](http://www.bendpak.com)



**BendPak**