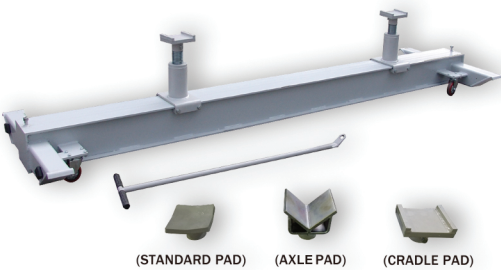


## MSC18KX-CRSBM

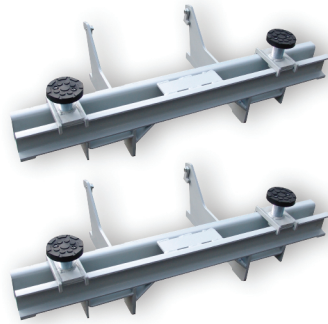
- CROSS BEAM**
- 22,000 - 33,000 lbs MAX SUPPORT CAPACITY
  - REQUIRES TWO MSC-18KX COLUMN OPERATION
  - ADJUSTABLE WIDTH AND HEIGHT PILLAR SUPPORTS
  - STANDARD WITH 3 PAIRS OF DIFFERENT HD CONTACT PAD ADAPTERS
  - POLY CASTERS
  - TOW BAR
  - ALI CERTIFIED
  - ALSO WORKS WITH MSC-13K-B



Included Adapters

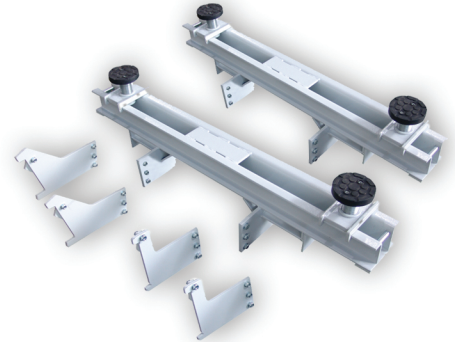
## MSC18KX-LTVAK

- LIGHT VEHICLE ADAPTER KIT**
- 20,000 lbs MAX SUPPORT CAPACITY (10,000lbs. per ADAPTER)
  - REQUIRES TWO MSC-18KX COLUMN OPERATION
  - ADJUSTABLE WIDTH & HEIGHT PILLAR SUPPORTS
  - STANDARD WITH HD SWIVEL, RUBBER CONTACT PADS
  - WORKS ONLY WITH MSC-18K-X
  - ALI CERTIFIED



## MSC13KB-LTVAK

- LIGHT VEHICLE ADAPTER KIT**
- 20,000 LBS MAX SUPPORT CAPACITY (10,000lbs. per ADAPTER)
  - REQUIRES TWO MSC-13KB COLUMN OPERATION
  - ADJUSTABLE WIDTH & HEIGHT PILLAR SUPPORTS
  - STANDARD WITH HD SWIVEL, RUBBER CONTACT PADS
  - WORKS ONLY WITH MSC-13K-B



## MSC-STAND18X

- HEAVY DUTY HIGH RISE STAND**
- 18,000lbs CAPACITY
  - SPRING LOADED CASTERS
  - ADJUSTABLE HEIGHT
  - FOLDABLE DESIGN
  - ALI CERTIFIED



## MSC-44K-STAND-26

- HEAVY DUTY LOW RISE STAND**
- 44,000 lbs. MAX SUPPORT CAPACITY
  - ADJUSTABLE HEIGHT 16" - 26"
  - SCREW TYPE PAD WITH THRUST BEARING



## MSC-44K-STAND-46

- HEAVY DUTY MID RISE STAND**
- 44,000 lbs. MAX SUPPORT CAPACITY
  - ADJUSTABLE HEIGHT 26" - 46"
  - SCREW TYPE PAD WITH THRUST BEARING



## MSC-FORKSPACER

- FORKLIFT FORK SPACE SET**
- 10,000lbs WEIGHT CAPACITY
  - REQUIRES TWO MSC COLUMN OPERATION
  - DESIGNED TO RAISE FORKLIFTS AT FRAME
  - SPACER SECURELY FITS BETWEEN MSC LIFTING ARMS
  - FITS BOTH MSC-13K-B & MSC-18K-X
  - ALI CERTIFIED



## MSC-FL-RAMPSET

- FORKLIFT RAMP SET**
- 10,000lbs WEIGHT CAPACITY PER RAMP / PLATFORM
  - ALLOWS FORKLIFT TO BE DRIVEN ONTO ELEVATED LIFTING POSITION
  - DESIGNED TO WORK IN CONJUNCTION WITH FORKLIFT SPACERS
  - FITS BOTH MSC13-B & MSC-18K-X

