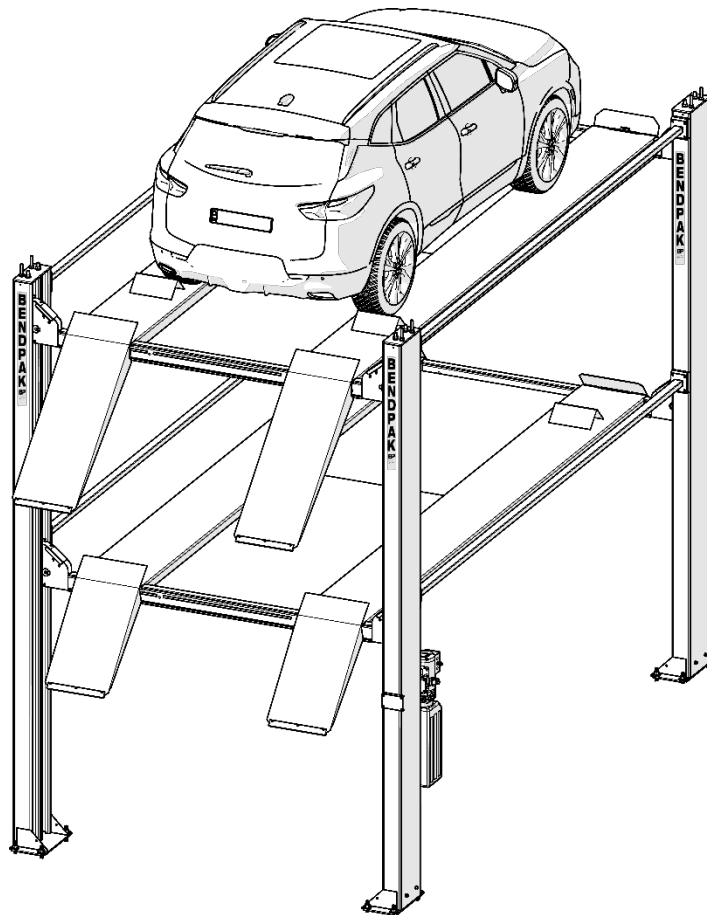


## Multi-Level Parking Lift Installation and Operation Manual

Manual P/N 5900076 — Manual Revision B4 — February 2024

Models:

- HD-973P
- HD-973PX



HD-973  
Pictured

*Original Instructions in  
the English language.*

**Designed and engineered by BendPak Inc. in Southern California, USA. Made in China.**

 **DANGER**

**IMPORTANT Safety Instructions, save these instructions! Read the *entire contents* of this manual *before* using this product. Failure to follow the instructions and safety precautions in this manual can result in severe injury or death. Make sure all other operators also read this manual. Keep the manual near the product for future reference. *By proceeding with setup and operation, you agree that you fully understand the contents of this manual and assume full responsibility for product use.***

**Manual.** HD-973P Series Multi-Level Parking, *Installation and Operation Manual*, Manual P/N 5900076, Manual Revision B4, Released February 2024.

**Copyright.** Copyright © 2024 by BendPak Inc. All rights reserved. You may make copies of this document if you agree that: you will give full attribution to BendPak Inc., you will not make changes to the content, you do not gain any rights to this content, and you will not use the copies for commercial purposes.

**Trademarks.** BendPak and the BendPak logo are registered trademarks of BendPak Inc. All other company, product, and service names are used for identification only. All trademarks and registered trademarks mentioned in this manual are the property of their respective owners.

**Limitations.** Every effort has been made to ensure complete and accurate instructions are included in this manual. However, product updates, revisions, and/or changes may have occurred since this manual was published. BendPak reserves the right to change any information in this manual without incurring any obligation for equipment previously or subsequently sold. All drawings are reference only – do not scale. BendPak is not responsible for typographical errors in this manual. You can always find the latest version of the **manual for your product on the BendPak website**.



SCAN FOR  
DIGITAL PDF

**Warranty.** The BendPak warranty is more than a commitment to you: it is also a commitment to the value of your new product. Contact your nearest BendPak dealer or visit [www.bendpak.com/support/warranty](http://www.bendpak.com/support/warranty) for full warranty details. Go to [bendpak.com/support/register-your-product/](http://bendpak.com/support/register-your-product/) and fill out the online form to register your product (be sure to click **Submit**).

**Safety.** Your product was designed and manufactured with safety in mind. However, your safety also depends on proper training and thoughtful operation. Do not install, operate, maintain, or repair the unit without reading and understanding this manual and the labels on the unit; **do not use your Lift unless you can do so safely!**

**Owner Responsibility.** To maintain your product properly and to ensure operator safety, it is the responsibility of the product owner to read and follow these instructions:

- Follow all installation, operation, and maintenance instructions.
- Make sure product installation conforms to all applicable local, state, and federal codes, rules, and regulations, such as state and federal OSHA regulations and electrical codes.
- Read and follow all safety instructions. Keep them readily available for operators.
- Make sure all operators are properly trained, know how to safely operate the unit, and are properly supervised.
- Do not operate the product until you are certain all parts are in place and operating correctly.
- Carefully inspect the product on a regular basis and perform all maintenance as required.
- Service and maintain the unit only with approved replacement parts.
- Keep the manual with the product and make sure all labels are clean and visible.
- **BendPak** makes no promises, guarantees or assurances that our products meet any state, county, federal or international mandated permit, license, code, standard, certification, or any other mandate other than what is listed or shown on BendPak website(s), or any BendPak or Ranger online or published catalog. Not all BendPak Lift models meet the standards as prescribed by ANSI/ALI ALCTV-(current edition) or ANSI/UL 201. Consult [www.autolift.org](http://www.autolift.org) for a complete list of Lift models that meet ANSI/ALI ALCTV-(current edition) or ANSI/UL 201, or contact BendPak via [contact@bendpak.com](mailto:contact@bendpak.com). **Buyer assumes full responsibility for any state, county, federal or international mandated permit, license, code, standard, certification, or any other mandate required related to the installation and/or operation of any BendPak product.** BendPak will not be responsible for any charges, fines, liens, or other levies imposed on the Buyer related to any special or regional structural, seismic or any other building code and/or codes such as the Uniform Building Code (UBC), International Building Code (IBC), or any other state, county, federal or international mandated permit, license, code, standard, certification, or other mandate, law, rule, regulation or directive by any other agency, government, administrations, or corporations whether state, county, federal, or international mandated.



**Only use the Lift if it can be used safely!**

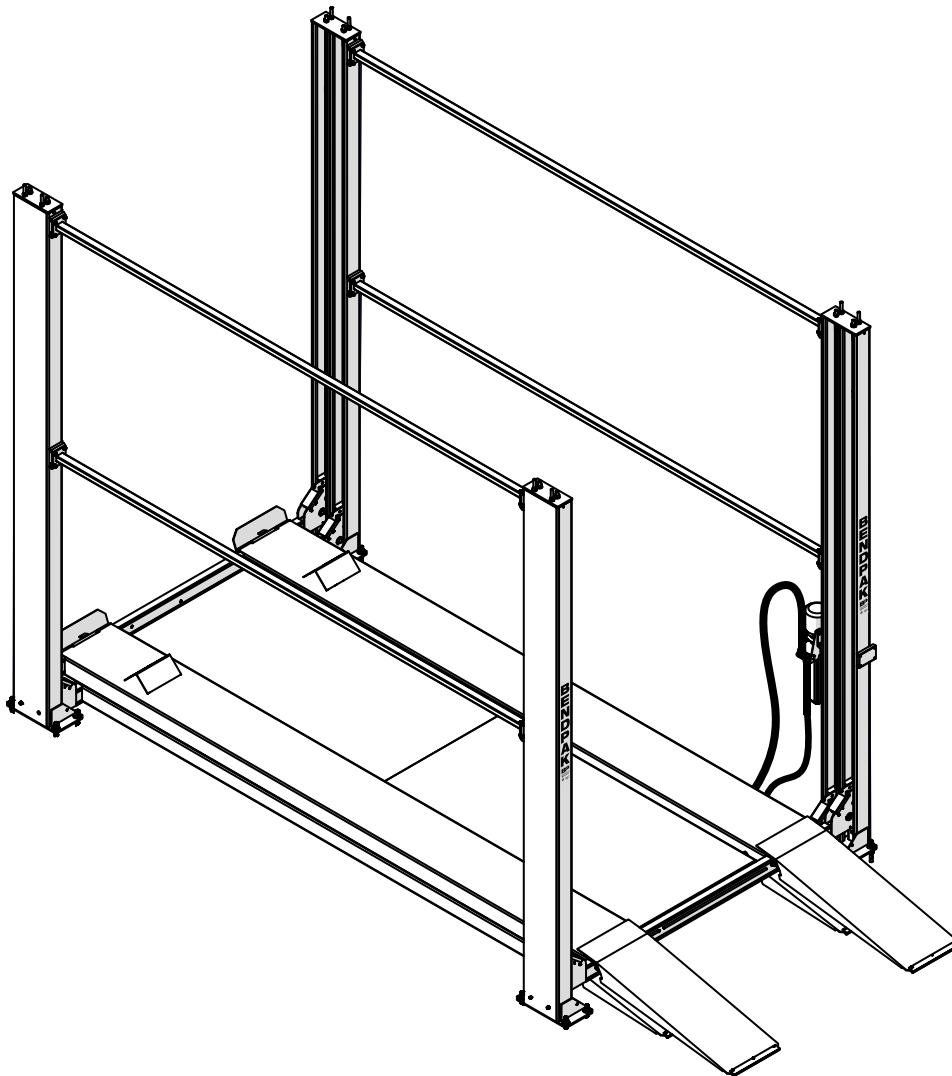
**Unit Information.** Enter the Model Number, Serial Number, and the Date of Manufacture from the ID label on your unit. This information is required for part or warranty issues.

Model: \_\_\_\_\_

Serial: \_\_\_\_\_

Date of Manufacture: \_\_\_\_\_

<b>BP BendPak</b>		Santa Paula, CA USA www.bendpak.com	
<b>MODEL NUMBER</b>			
<b>DESCRIPTION</b>			
<b>CAPACITY TOP DECK</b>		<b>CAPACITY BOTTOM DECK</b>	
<b>VOLTAGE</b>		<b>DATE CODE</b>	
<input type="checkbox"/> 110-120V, 50-60 Hz, 1 Ph <input type="checkbox"/> 208-240V, 50-60 Hz, 1 Ph <input type="checkbox"/> 380-415V, 50-60 Hz, 3 Ph <input type="checkbox"/> 208-440V, 50-60 Hz, 3 Ph			
		<b>SERIAL NUMBER</b>	
		<b>UPC</b>	
 <b>DANGER!</b> Disconnect Power Before Servicing			
MADE IN CHINA		WARRANTY VOID IF DATA PLATE IS REMOVED	
		PN 5905093	



# Table of Contents

<b>Introduction</b> .....	<b>4</b>	<b>Operation</b> .....	<b>73</b>
<b>Shipping Information</b> .....	<b>5</b>	<b>Maintenance</b> .....	<b>78</b>
<b>Safety Considerations</b> .....	<b>5</b>	<b>Troubleshooting</b> .....	<b>81</b>
<b>Components</b> .....	<b>8</b>	<b>Wiring Diagrams</b> .....	<b>82</b>
<b>Specifications</b> .....	<b>10</b>	<b>Labels</b> .....	<b>84</b>
<b>FAQ</b> .....	<b>13</b>	<b>Parts Drawings</b> .....	<b>87</b>
<b>Installation Checklist</b> .....	<b>14</b>	<b>Maintenance Log</b> .....	<b>109</b>
<b>Installation</b> .....	<b>15</b>		

## Introduction

This manual describes the following BendPak Parking Lift:

- **HD-973P:** Multi-Level Parking Lift that can raise Vehicles up to 7,000 lbs. (3,175 kg) on the Upper Platform and up to 9,000 lbs. (4,082 kg) on the Lower Platform.
- **HD-973PX:** A taller version of the HD-973P with **higher rise** and **extended Runways**.

This manual is mandatory reading for all users of the HD-973P series, including anyone who installs, uses, maintains, repairs, or wants to know more about them.

**⚠ DANGER** Use care when installing, operating, maintaining, or repairing this equipment; failure to do so could result in property damage, product damage, injury, or (in very rare cases) death. Make sure only authorized personnel operate this equipment. An authorized technician must perform all repairs. Do not make modifications to the unit; this voids the warranty and increases the chances of injury or property damage. Make sure to read and follow the instructions in this manual and on the labels on the unit.

**This manual is mandatory reading for all users** of HD-973 Series Parking Lifts, including anyone who installs, operates, maintains, or repairs them. Always keep this manual on or near the equipment.

Technical support and service is available from your dealer, on the Web at [bendpak.com/support](https://www.bendpak.com/support), by email at [support@bendpak.com](mailto:support@bendpak.com), or by phone at **(800) 253-2363**, option 7 then 4.

Online chat is also available at [www.bendpak.com](https://www.bendpak.com) click the chat icon. 

Scan this QR Code for up-to-date information and videos on the Parking Lift series.



---

# Shipping Information

Your equipment was carefully checked before shipping. Nevertheless, you should thoroughly inspect the shipment **before** you sign to acknowledge that you received it.


When you sign a bill of lading, it tells the carrier that the items on the invoice were received in good condition. **To protect yourself, do not sign until after you have inspected the shipment.** If any of the items listed on the bill of lading are missing or are damaged, do not accept the shipment until the carrier makes a notation on the bill of lading that lists the missing and/or damaged goods.

If you discover missing or damaged goods **after** you receive the shipment and have signed the bill of lading, notify the carrier at once and request the carrier to make an inspection. If the carrier will not make an inspection, prepare a signed statement to the effect that you have notified the carrier (on a specific date), and that the carrier has failed to comply with your request.

It is difficult to collect for loss or damage after you have given the carrier a signed bill of lading. If this happens to you, file a claim with the carrier promptly. Support your claim with copies of the bill of lading, freight bill, invoice, and photographs, if available. **Our willingness to assist in helping you process your claim does not make us responsible for collection of claims or replacement of lost or damaged materials.**

## Safety Considerations

**Read this entire manual carefully before using your new product.** Do not install or operate the product until you are familiar with all operating instructions and warnings. Do not allow anyone else to operate the product until they are familiar with all operating instructions and warnings.

 **WARNING** **California Proposition 65.** This product can expose you to chemicals including styrene and vinyl chloride which are on the list of over 900 chemicals identified by the State of California to cause cancer, birth defects or reproductive harm. Always use this product in accordance with BendPak's instructions. For more information, visit [www.p65warnings.ca.gov](http://www.p65warnings.ca.gov).

### Important Safety Information

When using this equipment, basic safety precautions should always be followed, including:

- Read all instructions. Use only as described in this manual.
- Only operate your Lift between temperatures of 41°F to 104°F (5°C to 40°C).
- Make sure all operators read and understand this *Installation and Operation Manual*. **Keep the manual near the Lift at all times.** The Lift should only be operated by authorized personnel. Keep children and untrained personnel away from the Lift.
- BendPak recommends referring to the ANSI/ALI ALIS Standard *Safety Requirements for Installation and Service* for more information about safely installing, using, and servicing your Lift.
- The Lift should only be operated by authorized personnel. Keep children and untrained personnel away from the Lift.
- Do not make any modifications to the Lift; this voids the warranty and increases the chances of injury or property damage. Use only factory-approved attachments.
- Do not use the Lift while tired or under the influence of drugs, alcohol, or medication.
- Do not touch hot parts; you could be burned. Always use care with the equipment.

- 
- Do not operate equipment with a damaged cord or if the equipment has been dropped or damaged – until a qualified service person has examined it.
  - Do not let a cord hang over the edge of a table, bench, or counter or come in contact with hot manifolds or moving fan blades. Loop the power cord around equipment when storing.
  - If an extension cord is necessary, a cord with a current rating equal to or greater than that of the equipment should be used. Cords rated for less current than the equipment may overheat. Care should be taken to arrange the cord so that it will not be tripped over or pulled out.
  - Always unplug equipment from electrical outlets when not in use. Never use the cord to pull the plug from the outlet. Grasp plug and pull to disconnect.
  - To reduce the risk of a fire, do not operate equipment in the vicinity of open containers of flammable liquids (like gasoline).
  - Adequate ventilation should be provided when working on operating internal combustion engines.
  - Keep hair, loose clothing, fingers, and all parts of the body away from moving parts.
  - To reduce the risk of electric shock, do not use the unit on wet surfaces or expose to rain.
  - **Always wear safety glasses!** Everyday glasses only have impact resistant lenses, they are not safety glasses.

**Save these instructions!**

## **Additional Safety Information**

The following safety information applies to all BendPak HD-973 Series models:

- The HD-973P/PX are Four-Post Parking Lifts. **Use them only for their intended purpose.**
- You must wear OSHA-approved (publication 3151) personal protective equipment **at all times** when installing, using, maintaining, or repairing the Lift. Leather gloves, steel-toed work boots, eye protection, back belts, and hearing protection are **mandatory**.
- **Never** exceed the rated capacity of the Lift.
- When the Lift is in use, keep hands and all body parts well away from it.
- Keep loads balanced on the Lift. Clear the area immediately if a Vehicle is in danger of falling off the Lift.
- Modifications void the warranty and increase the chances of injury or property damage. **Do not modify any safety-related features in any way.**
- The Lift uses electrical energy; if your organization has Lockout/Tagout policies, make sure to implement them after connecting the Lift to a power source.
- When handling the Hydraulic components, **always wear safety gloves!** In rare cases, a needle-like stream of Hydraulic Fluid (even at low pressure) can penetrate fingers, hands, or arms. Such a puncture can feel like a bite, electric shock, or a prick. While it may seem like a minor issue, any amount of Hydraulic Fluid injected into the human body is a serious issue. Anyone suffering such a puncture wound should be **immediately** taken as an emergency to the hospital to determine the extent of the injury. Explain the circumstances of the injury to the attending physician, including what type of Hydraulic Fluid was involved. Do not assume a puncture wound that could have been caused by Hydraulic Fluid is a minor issue; it could be life-threatening.
- Make a visual inspection of the Lift before using it. Do not use the Lift if you find any missing or damaged parts. Instead, take it out of service, then contact an authorized repair facility, your distributor, or BendPak at **(800) 253-2363**, option 7 then 4, or email [support@bendpak.com](mailto:support@bendpak.com).
- BendPak recommends making a **thorough** inspection of the Lift at least once a year. Replace any damaged or severely worn parts, decals, or warning labels.

---

## Symbols

Following are symbols used in this manual:



**DANGER** Calls attention to a hazard that **will** result in death or injury.



**WARNING** Calls attention to a hazard or unsafe practice that **could** result in death or injury.



**CAUTION** Calls attention to a hazard or unsafe practice that could result in personal injury, product damage, or property damage.

### **NOTICE**

Calls attention to a situation that could result in product or property damage.

## Liability Information

BendPak assumes **no** liability for damages resulting from:

- Use of the equipment for purposes other than those described in this manual.
- Modifications to the equipment without prior, written permission from BendPak.
- Injury or death caused by modifying, disabling, overriding, or removing safety features.
- Damage to the equipment from external influences.
- Incorrect operation of the equipment.

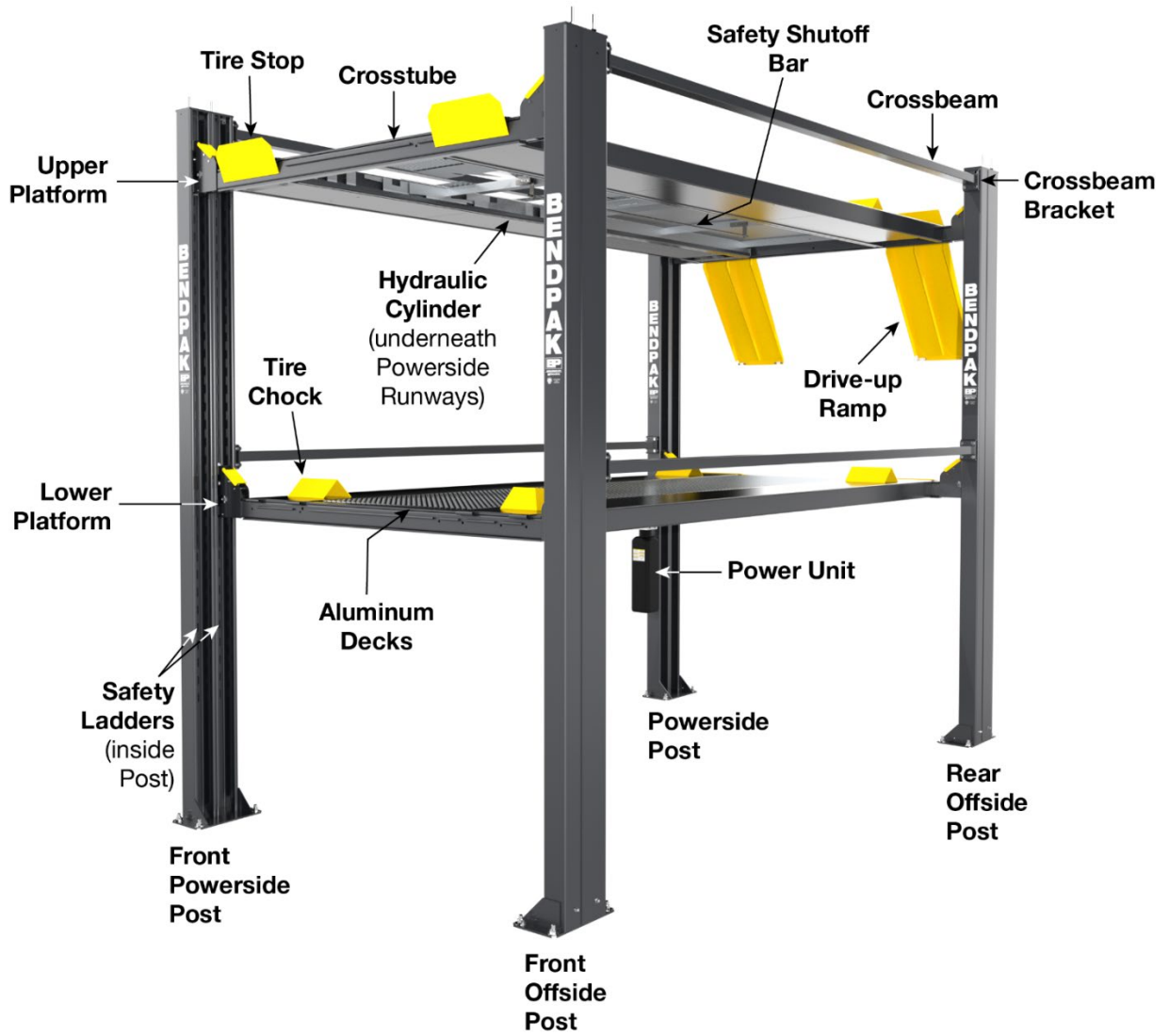
---

# Components

The main components of your Lift include:

- **Power Post.** The Post that holds the Power Unit. Mount the Power Unit on one of the two Mounting Brackets.
- **Power Unit.** An electric/hydraulic unit that connects to an electric power source and then provides Hydraulic Fluid to the Hydraulic Cylinder that raises and lowers the Runways.
- **Flex Tubes.** *Not shown.* A flexible, black tube that attaches to an opening on the Powerside Runway on one end and to the Power Unit on the other end. Used for protecting the Return Line, Air Line, and Hydraulic Hose (and Microswitch Cable for Upper Platform) as they are routed to the Power Unit. One Flex Tube per Platform.
- **Upper Platform.** Can hold Vehicles up to 7,000 lbs. (3,175 kg).
- **Lower Platform.** Can hold Vehicles up to 9,000 lbs. (4,082 kg).
- **Powerside Runway.** On the same side as the Power Post (holds the Power Unit). The Powerside Runway has the Hydraulic Cylinder and the Lift Cables under it. Both Platforms have a Powerside Runway.
- **Offside Runway.** This Runway does not have a Hydraulic Cylinder or Cables under it. Both Platforms have an Offside Runway.
- **Aluminum Decks.** Sit in between the two Runways. These Decks help prevent fluid leakage from falling onto the Vehicle below. Two per Platform.
- **Safety Shutoff Bar.** Located on the underside of the Upper Platform. The Safety Shutoff Bar stops upward movement of the Lift. If you are raising a Vehicle on the Lower Platform and it hits the Safety Shutoff Bar, the Lift immediately stops moving.
- **Crosstubes.** Each Platform has one at each end of the Lift. The Crosstubes are hollow; the Cables that raise and lower the Runways are routed through the Crosstubes. The Crosstubes are *not* interchangeable: Each Crosstube has an opening (called a ‘Windows’) that face the inside. **All Windows open to the inside of the Lift only.**
- **Stiffener Tubes.** Provide extra structural stability for your Lift. Two Stiffener Tubes connect the Powerside Posts and another two connect the Offside Posts.
- **Drive-up Ramps.** The Upper Platform uses a longer set of Ramps, and the Lower Platform uses a shorter set of Ramps. Used to drive onto and off of the Runways. Two per Platform.
- **Tire Stops.** Located at the Front of the Lift, Tire Stops prevent the Vehicle’s Front Tires from going any further forward. Additionally, always chock the Vehicle’s Rear Tires. Two per Platform.
- **Safety Locks.** Mechanical Locks on the Platforms that, once engaged, hold the Runways in position, even if the power goes out or there is a leak in the hydraulic system. Your Lift has two Safety Ladders per post, which engage the Safety Locks. Locking positions are spaced every four inches. This allows you the flexibility to lock the Runways at just the right height. **Always leave your Lift on the ground or engaged on a Safety Lock.**
- **Platform Selector Valve.** Controls which Platform is in operation; only **one** Platform may be raised or lowered at a time.
- **Pushbutton Air Valve.** Moves the Safety Locks away from the Ladder so that they do not engage as you lower the Lift. Used to lower the Runways.
- **Safety Ladders.** Steel components that look similar to a ladder and are installed at the back of each Post. The Safety Locks on the Platforms engage the openings in the Safety Ladders.

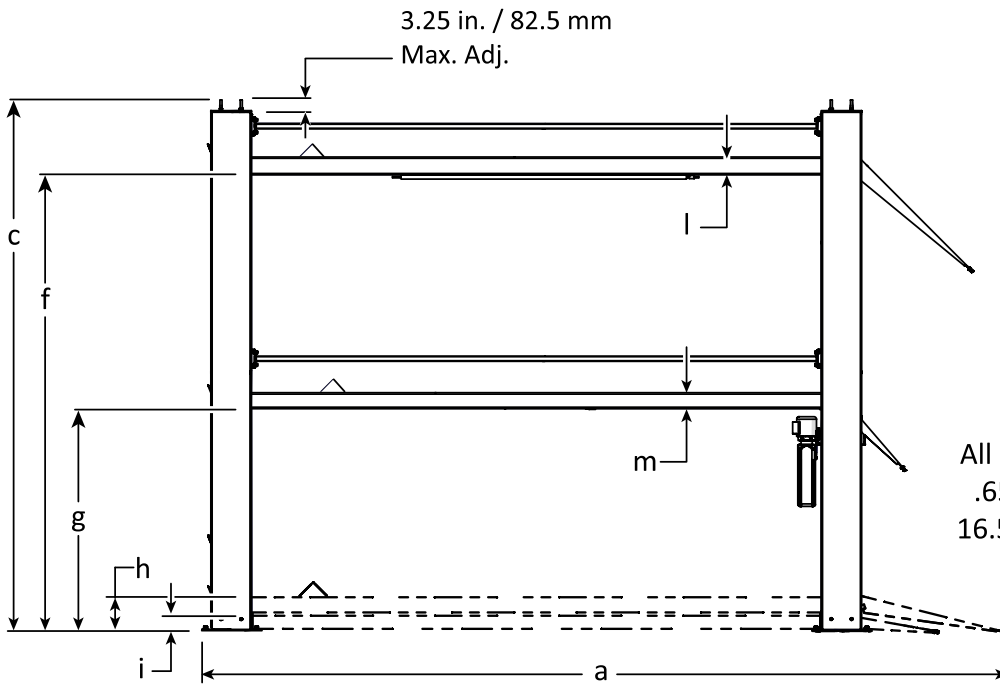
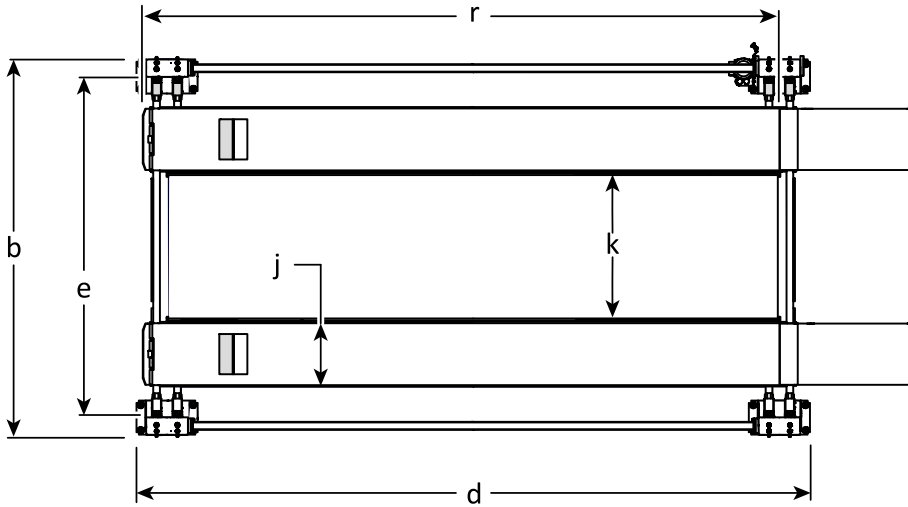




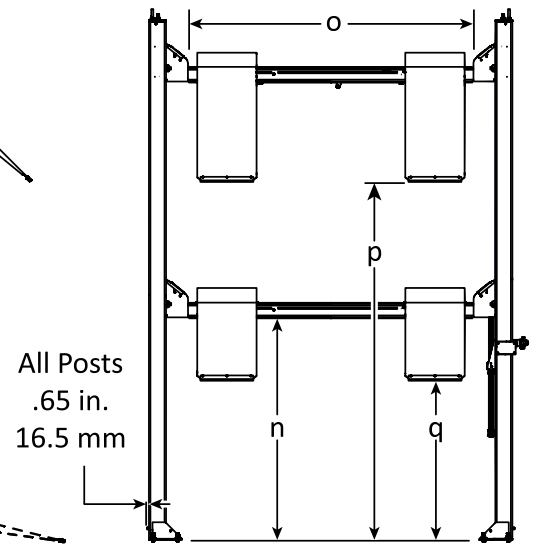
*The Front of the Lift is the end opposite the Drive-up Ramps. Front view.*

# Specifications

**Top View**



**Side View**



All Posts  
.65 in.  
16.5 mm

**Approach View**

<b>HD-973P</b>	<b>Upper Platform</b>	<b>Lower Platform</b>
Lifting capacity	7,000 lbs. (3,175 kg)	9,000 lbs. (4,082 kg)
<b>a</b> – Total Length (Platforms Lowered)	241.75 in (6,137 mm)	
<b>b</b> – <b>Total Width</b> - Base Plates (outside to outside)	110.47 ±.125 in. (2,806 mm ±3mm)	
<b>c</b> – Post Height (3.25 in. max. for safety ladder adj.)	161 in. (4,093 mm)	
<b>d</b> – <b>Outside Posts Length</b> - Base Plates (outside to outside)	197.75 in. (5,024 mm)	
<b>e</b> – Posts (inside to inside)	100 in. (2,541 mm)	
<b>f</b> – Maximum rise (upper)	139.5 in. (3,544 mm)	
<b>g</b> –Maximum rise (lower)	70 in. (1,777 mm)	
<b>h</b> – Runway Height – Down Position	10.75 in. (270 mm)	N/A
<b>i</b> – Runway Height – Down Position	N/A	5 in. (128 mm)
<b>j</b> – Runway Width	19 in. (482 mm)	
<b>k</b> – Distance between Runways	35 in. – 41 in. (887 mm –1,045 mm) Max.	
<b>l</b> – Runway thickness (upper platform)	5.5 in. (137 mm)	N/A
<b>m</b> – Runway thickness (lower platform)	N/A	4.75 in. (123 mm)
<b>n</b> – Drive through height (Top Lock) <sup>2</sup>	67.25 in. (1,711 mm)	
<b>o</b> – Drive through width (both platforms)	86.5 in. (2,201 mm)	
<b>p</b> – Distance to Ramp (upper)	109.75 in. (2,790 mm)	
<b>q</b> – Distance to Ramp (lower)	51 in. (1,300 mm)	
<b>r</b> – Runway Length	180.25 in. (4,581 mm)	165.5 in. (4,203 mm)
Min. wheelbase @ rated capacity <sup>1</sup>	130 in. (3,302 mm)	120 in. (3,175 mm)
Min. wheelbase @ 75% capacity <sup>1</sup>	110 in. (2,794 mm)	100 in. (2,667 mm)
Min. wheelbase @ 50% capacity <sup>1</sup>	95 in. (2,413 mm)	85 in. (2,159 mm)
Min. wheelbase @ 25% capacity <sup>1</sup>	75 in. (1,905 mm)	70 in. (1,778 mm)
Top Safety Lock (top of Platform)	144 in. (3,654 mm)	72.25 in. (1,837 mm)
Safety Lock Positions	31 every 4 in. (102 mm)	13 every 4 in. (102 mm)
Lifting time	90 seconds	50 seconds
Power Unit Electrical requirements (typical)	208-240VAC, 50/60 Hz, 1 Ph, 3 HP, Approx. 11 Amps min.	
Compressed dry air required	75 to 125 psi at 3 cfm min.	

<sup>1</sup> The Runways support less weight than their rated capacity as the Vehicle wheelbase reduces. Vehicles with a short wheelbase have wheels closer to the middle of the Runway, where there is less strength. For example, the maximum weight permitted on the Top Platform for a Vehicle with a wheelbase of 95 in. is 50 percent of the full rated capacity or 3,500 lbs.

<sup>2</sup> All measurements are taken with the Safety Ladders adjusted to their upper maximum.

**Important:** All posts include fasteners extending horizontally ≈.65 in. (16.5 mm) on all four posts. This larger dimension should not be used to create the chalk lines for Lift installation, but the additional clearance around the Posts is required.

**Specifications subject to change without notice.**

<b>HD-973PX</b>	<b>Upper Platform</b>	<b>Lower Platform</b>
Lifting capacity	7,000 lbs. (3,175 kg)	9,000 lbs. (4,082 kg)
<b>a</b> – Length Overall (Platforms Lowered)	252.25 in (6,407 mm)	
<b>b</b> – <b>Total Width</b> - Base Plates (outside to outside)	110.5 ±.125 in. (2,809 ±3 mm)	
<b>c</b> – Post Height (3.25 in. max. for safety ladder adj.)	173.25 in. (4,400 mm)	
<b>d</b> – <b>Outside Posts Length</b> - Base Plates (outside to outside)	208.5 in. / (5,294 mm)	
<b>e</b> – Posts (inside to inside)	100 in. (2,541 mm)	
<b>f</b> – Maximum rise (upper platform)	151.5 in. (3,849 mm)	
<b>g</b> – Maximum rise (lower platform)	82 in. (2,084 mm)	
<b>h</b> – Runway Height – Down Position	10.75 in. (270 mm)	N/A
<b>i</b> – Runway Height – Down Position	N/A	5 in. (128 mm)
<b>j</b> – Runway Width	19 in. (482 mm)	
<b>k</b> – Distance between Runways	35 in. – 41 in. (887 mm –1,045 mm) Max.	
<b>l</b> – Runway thickness (upper platform)	5.5 in. (137 mm)	N/A
<b>m</b> – Runway thickness (lower platform)	N/A	4.75 in. (123 mm)
<b>n</b> – Drive through height (Top Lock) <sup>2</sup>	79.25 in. (2,019 mm)	
<b>o</b> – Drive through width (both platforms)	86.5 in. (2,201 mm)	
<b>p</b> – Distance to Ramp (upper)	122 in. (3,097 mm)	
<b>q</b> – Distance to Ramp (lower)	63 in. (1,605 mm)	
<b>r</b> – Runway Length	192.75 in. (4,898 mm)	176 in. (4,473 mm)
Min. wheelbase @ rated capacity <sup>1</sup>	135 in. (3,429 mm)	125 in. (3,175 mm)
Min. wheelbase @ 75% capacity <sup>1</sup>	120 in. (3,048 mm)	110 in. (2,794 mm)
Min. wheelbase @ 50% capacity <sup>1</sup>	100 in. (2,540 mm)	90 in. (2,286 mm)
Min. wheelbase @ 25% capacity <sup>1</sup>	80 in. (2,032 mm)	75 in. (1,905 mm)
Top Safety Lock (top of Platform)	156 in. (3,962 mm)	84.5 in. (2,145 mm)
Safety Lock Positions	34 every 4 in. (102 mm)	16 every 4 in. (102 mm)
Lifting time	90 seconds	50 seconds
Power Unit Electrical requirements (typical)	208-240VAC, 50/60 Hz, 1 Ph, 3 HP, Approx. 11 Amps min.	
Compressed dry air requirement	75 to 125 psi at 3 cfm min.	

<sup>1</sup> The Runways support less weight than their rated capacity as the Vehicle wheelbase reduces. Vehicles with a short wheelbase have wheels closer to the middle of the Runway, where there is less strength. For example, the maximum weight permitted on the Top Platform for a Vehicle with a wheelbase of 95 in. is 50 percent of the full rated capacity or 3,500 lbs.

<sup>2</sup> All measurements are taken with the Safety Ladders adjusted to their upper maximum.

**Important:** All posts include fasteners extending horizontally ≈.65 in. (16.5 mm) on all four posts. This larger dimension should not be used to create the chalk lines for Lift installation, but additional clearance around the Posts is required.

**Specifications subject to change without notice.**

---

# Frequently Asked Questions

**Question:** What kinds of Vehicles can I put on my Parking Lift?

**Answer:** Cars, trucks, SUVs; anything that fits on the Upper Platform, up to 7,000 lbs. (3,175 kg). The Lower Platform holds up to 9,000 lbs. (4,082 kg).

**Q:** What is the difference between the HD-973P and the HD-973PX?

**A:** The HD-973PX is a taller Lift with a *higher rise* and *extended Runways*.

**Q:** Can any of the four Posts be the 'Power Post'?

**A:** No; the only two possible locations for the Power Post are either the *Front Driver-Side* or the *Rear Passenger-Side*. This will be explained later.

**Q:** Does the Lift have to be anchored in place?

**A:** Yes; you **must** anchor the Lift.

**Q:** How high does the ceiling have to be?

**A:** It depends on the height of the Vehicles you are putting on the Runways and how high you raise the Platforms. If you are going to put a tall Vehicle on the Lift and raise it all the way up, you should check to make sure there is enough room.

**Q:** Does it matter if I drive my Vehicles in front first or back them in?

**A:** We strongly recommend driving your Vehicle in front first, because that makes it easier to center the Vehicle's wheels on the Runways. Also, remember to put the front wheels up against the Tire Stops and chock the Rear Wheels.

**Q:** Will the Cables really hold my Vehicles?

**A:** Yes. Your Lift has 0.4 inch thick, aircraft-quality **wire rope** that runs through oversized sheaves, reducing friction on them and extending their life with minimal maintenance.

**Q:** How long can I leave a Vehicle on a raised Runway?

**A:** As long as you want; *once the Lift is engaged on a Safety Lock*, gravity holds it in position, so a loss of power does not impact it; it is going to stay where you left it. **Always leave the Platforms either fully lowered or engaged on a Safety Lock.**

**Q:** Can I install my Lift outside?

**A:** HD-973P and PX Lifts are approved for indoor installation and use only. **Outdoor installation is prohibited.** For outdoor installations, see models HD-973PG and PGX.

**Q:** How long does it take to raise the Platforms?

**A:** The Upper Platform takes about 90 seconds; the Lower Platform takes about 50 seconds.

---

# Installation Checklist

Following are the steps needed to install your Lift. Perform them in the order shown.

- 1. Review the installation safety rules.
- 2. Make sure you have the necessary tools.
- 3. Plan for electrical work.
- 4. Select the installation location.
- 5. Decide the Lift Orientation.
- 6. Create Chalk Line Guides.
- 7. Unload and unpack the Lift components.
- 8. Move the Posts into position.
- 9. Install the Crosstubes.
- 10. Install the Ladders and Top Cap.
- 11. Raise the Crosstubes.
- 12. Raise the Posts.
- 13. Remove the Sheaves.
- 14. Secure the Ladders.
- 15. Install the Runways.
- 16. Route the Lifting Cables.
- 17. Install the Air Lines.
- 18. Install the Return Lines.
- 19. Install the Hydraulic Hoses.
- 20. Install the Safety Shutoff Bar and the Microswitch.
- 21. Install the Power Unit.
- 22. Install the Flex Tube Bracket Plate and Angle Plate.
- 23. Install the Flex Tubes.
- 24. Install the Pushbutton Air Valve and connect the Air Lines.
- 25. Connect the Return Lines.
- 26. Install the Platform Selector Valve and connect the Hydraulic Hoses.
- 27. Contact the Electrician.
- 28. Connect to a power source (**Electrician required**).
- 29. Connect the Microswitch (**Electrician required**).
- 30. Install the Power Disconnect Switch and Thermal Disconnect Switch (**Electrician required**).
- 31. Anchor the Posts.
- 32. Perform final leveling.
- 33. Install the Accessories.
- 34. Install the Crossbeams.
- 35. Lubricate the Lift.
- 36. Bleed the Hydraulic Cylinder.
- 37. Test the Lift.
- 38. Review the final checklist.
- 39. Leave the manual for the owner/operator.

---

# Installation

The installation process requires multiple steps. Perform them in the order listed. **Read the entire Installation section before beginning the install**; this gives you a better understanding of the process as a whole.

**⚠ WARNING** **Only use the factory-supplied parts that came with your Lift.** If you use parts from a different source, you void your warranty and compromise the safety of everyone who installs or uses the Lift. If you are missing parts, visit [bendpak.com/support](https://bendpak.com/support) or call **(800) 253-2363**, option 7 then 5.

## Safety Rules

While installing this equipment, your safety depends on proper training and thoughtful operation.

**⚠ WARNING** Do not install this equipment unless you have automotive Lift installation training. Always use proper lifting tools, such as a Forklift or Shop Crane, to move heavy components. Do not install this equipment without reading and understanding this manual and the safety labels on the unit.

Only fully trained personnel should be involved in installing this equipment. Always pay attention. Use appropriate tools and lifting equipment. Stay clear of moving parts.

BendPak recommends referring to the ANSI/ALI ALIS Standard (current edition) *Safety Requirements for Installation and Service* for more information about safely installing, using, and servicing your Lift.

**⚠ WARNING** You must always wear OSHA-approved (publication 3151) personal protective equipment when installing, using, maintaining, or repairing the Lift: leather gloves, steel-toed work boots, eye protection, back belts, and hearing protection are **mandatory**.

You may need some or all the following tools and supplies:

- Rotary hammer drill or similar
- ¾ inch masonry bit (ANSI B212.15)
- Hammer and crowbar
- Two 2 x 4 pieces of Wood (≤52 in.)
- Zip ties
- Four-foot level
- Open-end wrench set, SAE, and metric
- 12-foot ladder
- Hex key wrench set
- Medium adjustable wrench, torque wrench, pipe wrench
- Chalk line
- Medium-sized flat screwdriver and needle-nose pliers
- Tape measure (25 feet or above)
- Forklift, Shop Crane, or heavy-duty rolling dolly, Lifting Straps, and two sawhorses
- Socket and ratchet set, SAE, and metric
- Red and white lithium grease

---

## Planning for Electrical Work

You will need to have a licensed Electrician available at some point in the installation.

 **DANGER** A licensed Electrician must perform all wiring.

Notify your Electrician in advance so that they arrive prepared with an appropriate Power Cord with a Plug or wiring for connecting to the power source, a Power Disconnect Switch, and a Thermal Disconnect Switch. Refer to [Contacting the Electrician](#) for more information.

The Electrician is required to:

- **Connect the Power Unit to a power source.** Replace the pigtail delivered with your Power Unit with the appropriate Power Cord and Plug or wire directly to the facility's electrical system.
- **Install the Microswitch.** Shuts off electric power in the event that a Vehicle on the Lower Platform comes too close to contacting the underside of the Upper Platform. Installed on the underside of the Aluminum Decks on the Upper Platform. UL Cable included.
- **Install a Power Disconnect Switch.** Ensures you can quickly and completely interrupt electrical power to the Lift in the event of an electrical circuit fault, emergency, or when the equipment is undergoing service or maintenance. Install the Power Disconnect within sight and reach of the Lift operator.
- **Install a Thermal Disconnect Switch.** Ensures the equipment shuts down in the event of an overload or an overheated motor.

## Selecting a Location

When selecting the location for your Lift, consider:

- **Architectural plans.** Consult the architectural plans for your desired installation location. Make sure there are no issues between what you want to do and what the plans show.
- **Available space.** Make sure there is enough space for the Lift: front, back, sides, and above. Refer to [Specifications](#) for measurements.
- **Overhead Clearance.** Check for overhead obstructions such as building supports, heaters, electrical lines, low ceilings, hanging lights, and so on. **You do not want the Vehicles on the Lift hitting obstructions.** Follow the formula below for calculating how much height is required, based on the Vehicles you want to park on the Upper Platform:

Height of Vehicle on the Upper Platform + 7 inches + height of Safety Locks

Add these together; your location height needs to be higher than the sum of these values.

The 7-inch figure includes the height of the Upper Platform plus the height needed to raise the Lift off the Safety Locks. Note this figure is a rough estimate, for calculation purposes only.

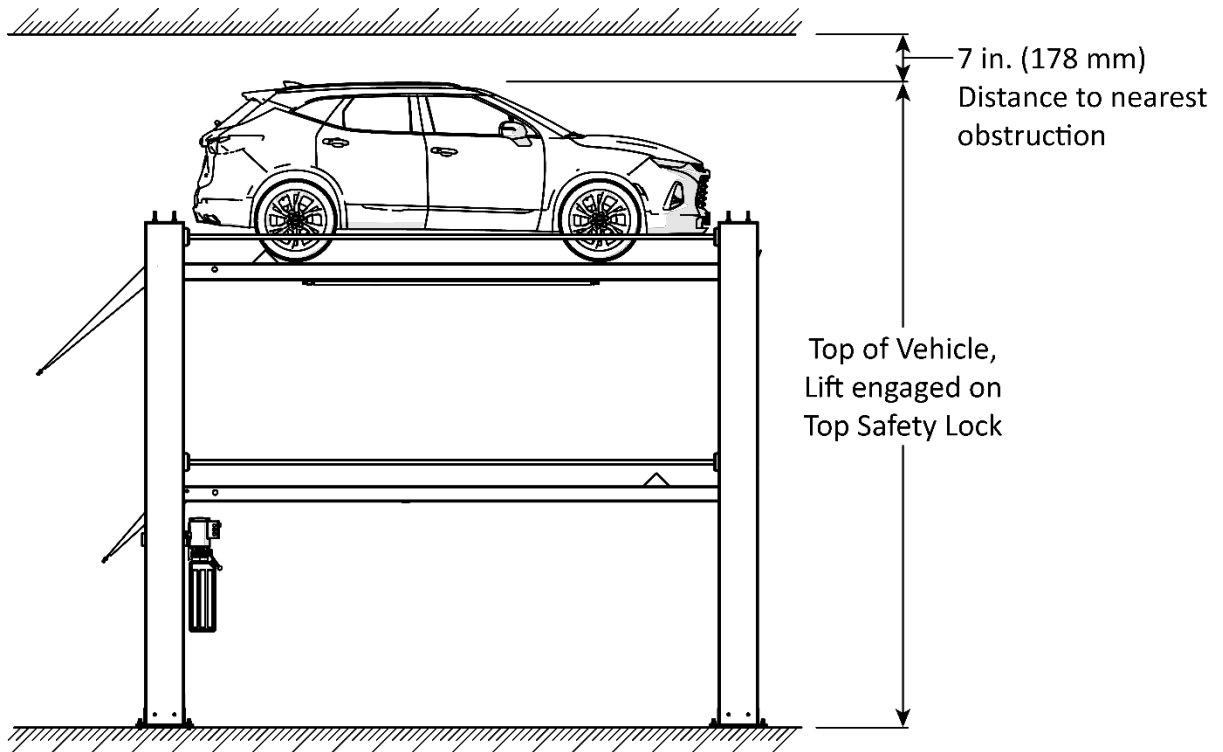


### Tip

To find the "height of Safety Lock," raise the Platform and lock it on its Safety Lock position, then measure from the ground to the bottom of the raised Platform. Note that the maximum rise height listed in [Specifications](#) is how high the mechanism can rise before stopping; the Safety Locks height is different from maximum rise.

Refer to the figure on the next page.





- **Side Clearances.** You must leave room around the Lift. Leave at least three feet (36 inches) clear on the sides of the Lift.
- **Front and Rear clearances.** You must leave room around the Lift. Leave at least two feet (24 inches) clear on the Front of the Lift, and no obstructions at all at the Rear of the Lift so you can safely drive Vehicles on and off the Runways.
- **Power.** You need a power source for the Power Unit.
- **Outdoor installations.** Your Lift is approved for indoor installation and use only. Outdoor installation is prohibited. For Outdoor installations see Models **HD-973PG / PXG**.
- **Floor.** Only install the Lift on a flat, concrete floor; do not install on asphalt or any other surface. The surface must be level; do not install if the surface has more than three degrees of slope.

**⚠ WARNING** Installing your Lift on a surface with more than three degrees of slope could lead to injury or even death; only install the Lift on a level floor. If your floor is not level, consider making the floor level or using a different location.

- **Shimming.** If your concrete floor is not completely level, you can use Shims under the Base plates, as needed, to level the Lift.

To estimate your Shim requirements, use a transit level and targets to check for flatness. Use the provided Shims, as necessary.

**NOTICE** Do not shim a Post more than half an inch using the provided Shims and Anchor Bolts. A maximum shim of 2 inches is possible by ordering optional Shim Plates. Contact BendPak at **(800) 253-2363**, select option 7 then 5 to order. Please have the model and serial number of your Lift available.

- **Concrete specifications.** Do not install the Lift within 6 inches of cracked or defective Concrete. Make sure the concrete is at least 6 inches thick, 3,000 PSI compressive strength, and cured for a minimum of 28 days.

---

**⚠ CAUTION** BendPak lifts are supplied with installation instructions and concrete anchors that meet the criteria set by the American National Standard “Automotive Lifts – Safety Requirements for Construction, Testing, and Validation,” ANSI/ALI ALCTV. You are responsible for any special regional structural and/or seismic anchoring requirements specified by any other agencies and/or codes such as the Uniform Building Code (UBC) and/or International Building Code (IBC).

Be sure to check the floor to determine if it is a **post-tension slab**. In this case, you must contact the building architect before drilling. Using ground penetrating radar may help you find the tensioned steel.

**⚠ WARNING** Cutting through a tensioned cable can result in injury or death. Do not drill into a post-tension slab unless the building architect confirms you are not going to hit tensioned steel, or you have located it using ground penetrating radar. **If colored sheath comes up during drilling, stop drilling immediately.**

- **Multi-Lift Installations.** For a Multi-Lift setup, there must be a *minimum* spacing of 5 inches from the edge of the Baseplate to the edge of the Baseplate on the next Lift.

**⚠ CAUTION** Installing a Lift closer than 5 inches to the edge of the Baseplate on the next Lift compromises the holding strength of the Anchor Bolts, which puts anyone near the Lifts in danger.

## Deciding the Lift Orientation

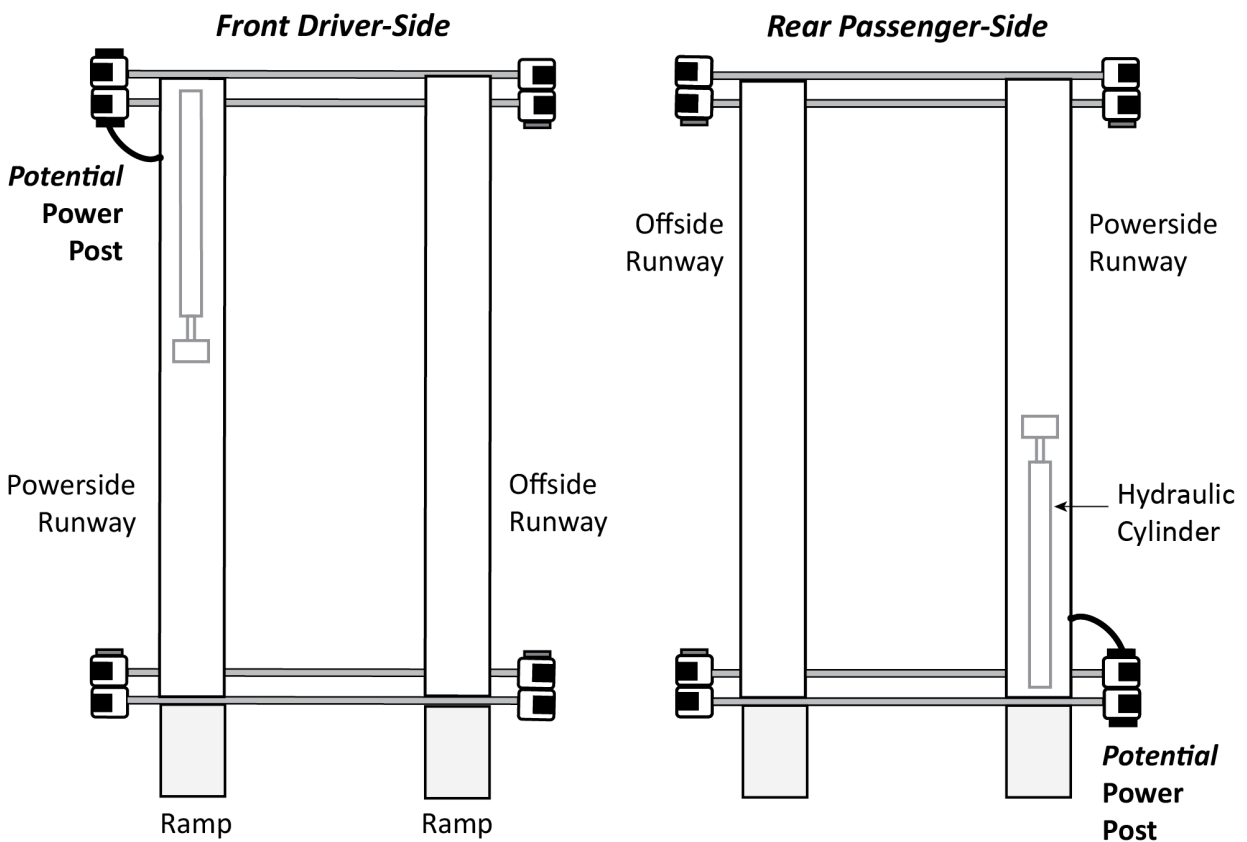
Before going any further, decide how you want to orient your Lift. This decision affects where you will place your Power Post and the positioning of the Runways, which are *not* interchangeable.

On each level, one Runway, called the Powerside Runway, has the Hydraulic Cylinder underneath it and is the starting point for the Lifting Cables; it **must** be installed next to the Power Post (which holds the Power Unit). The other runway, call the Offside Runway, does not have anything underneath and none of the Lifting Cables are routed through it.

You can position your Power Post at either the **Front Driver-Side** or the **Rear Passenger-Side**.

The drawings in this manual show the Power Post at the **Rear Passenger-Side**, but that does not mean you have to.

In many cases, the main factor is the location of the power source; many customers prefer to place their Power Post (which holds the Power Unit), near the power source. If power is not an issue, choose the option below that best fits your setup.



*Top view. Hydraulic Cylinder is underneath the Runway. The Drive-up Ramps are not affected by the Power Post location. Drawing not to scale. Some components not shown.*

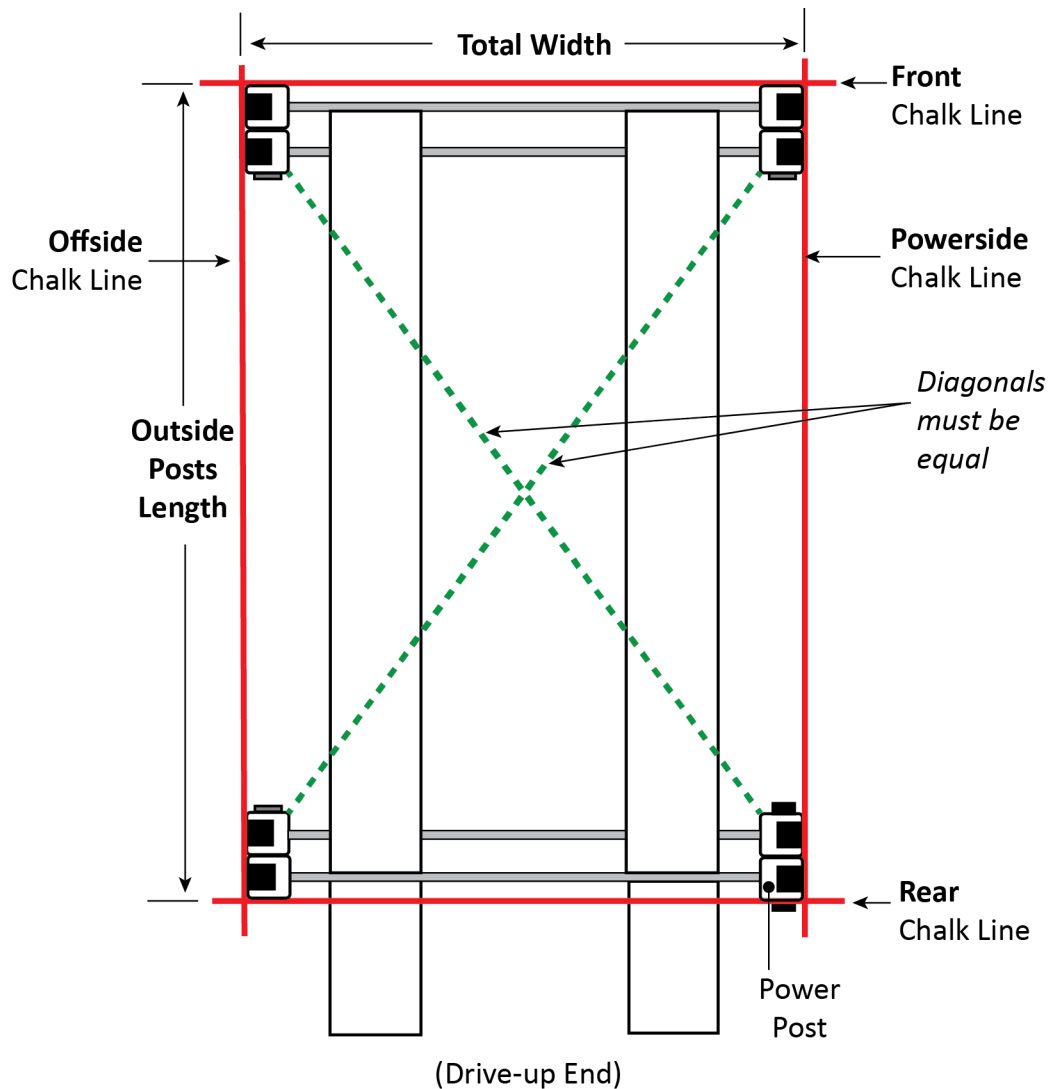
## Creating Chalk Line Guides

Use Chalk Line Guides to ensure that the Posts are installed correctly.

Create the Chalk Line Guides so that the outside edges of all four Posts fit into the four corners created by the Chalk Line Guides.

See **Specifications** to determine the **Total Width** and **Outside Posts Length** for your Lift.

**Note:** **Do not use the Total Length value**; this includes the Ramps, which are not taken into consideration for creating Chalk Line Guides.



*Top view. Not drawn to scale. Not all components shown.*

---

### To create Chalk Line Guides:

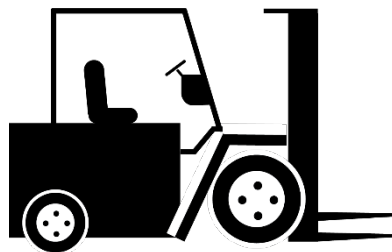
1. Create the Front Chalk Line where you want the Front of the Lift.  
Make the Front Chalk Line *longer* than the Total Width setting for your Lift.
2. Create the Powerside and Offside Chalk Lines at 90° angles to the Front Chalk Line and parallel to each other. Make the Powerside and Offside Chalk Lines longer than the Outside Posts Length setting for your Lift model.  
The Powerside and Offside Chalk Lines must be parallel to each other.
3. Create the Rear Chalk Line parallel to the Front Chalk Line. Make the Rear Chalk Line longer than the Total Width setting for your Lift model.  
The Front and Rear Chalk Lines must also be parallel to each other.
4. Before moving the Posts into position, measure **diagonally** to make sure the two diagonal measurements are the same. This ensures your layout is correct.  
**Do not forget to check the diagonals.**
5. When you move the Posts into position, put the corners of the Base Plates inside the corners created by the four Chalk Lines.

## Unloading and Unpacking

Once the components are unloaded, they are your responsibility to move around. As the Lift includes a number of heavy pieces, the closer you unload them to the installation location, the better off you are.

**⚠ CAUTION** Some Lift components are very heavy; if handled incorrectly, they can damage materials like tile, sandstone, and brick. Try to handle the Lift components twice: once when delivered and once when moved into position. You must have a Forklift or Shop Crane to move them into position. Use care when moving them.

**⚠ WARNING** The Posts and Runways are delivered with stabilizing structures on each end. Be very careful when removing these stabilizing structures; the Posts and Runways can shift or even fall. If they fall on a person, they could cause severe injury.



## Moving the Posts into Position

Once you have created the Chalk Line Guides, move the Posts into position.

Each Post has two Brackets used for attaching the Crossbeams; the Crossbeams add structural stability to the Lift; **the Crossbeam Brackets must face the inside of the Lift.**

The Power Post has two Crossbeam Brackets that face the inside of the Lift, and an extra two Brackets (one facing the inside of the Lift, the other facing the Drive-up End) used for mounting the Power Unit.

**Important:** Position the Power Post at your chosen location. Remember, the Power Post can only go in two possible locations: the **Front Driver-side** or the **Rear Passenger-side**. Refer to **Lift Orientation** for more information.

The following drawing shows how to position the four Posts.

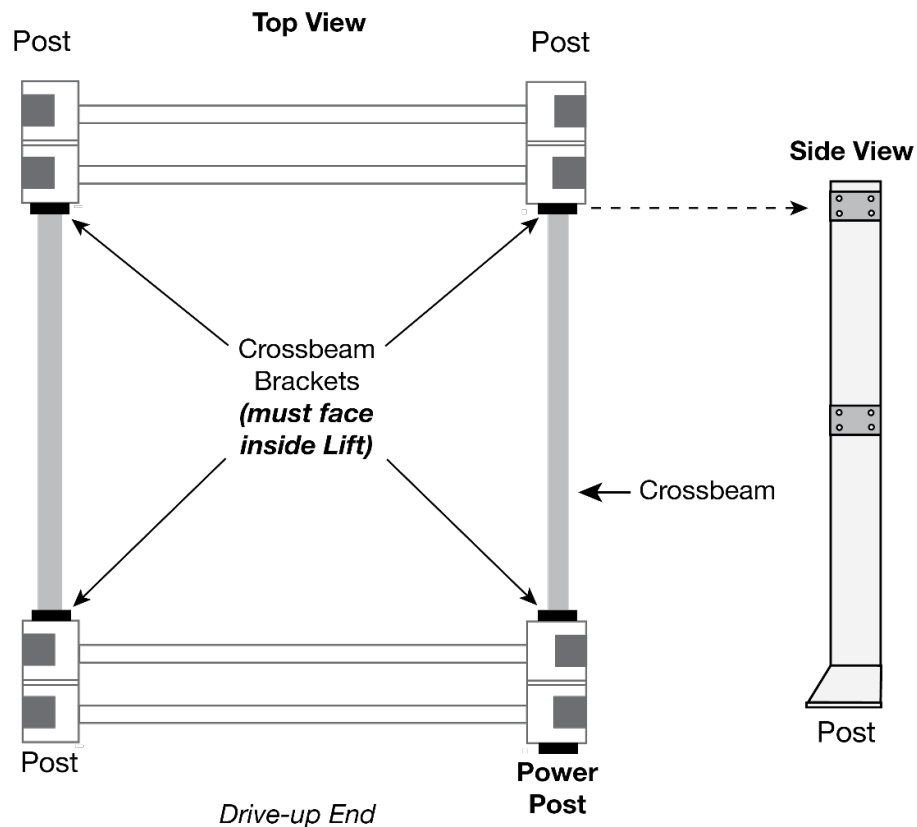


Figure combines Top View and Side View. Figure positions the Power Post in the Rear-Passenger Side Not drawn to scale. Some components not shown.

### To move the Posts into position:

1. Orient the Posts in their required positions, with the Post Brackets facing the inside of the Lift.
2. Using a Forklift or Shop Crane, carefully move each Post to the inside corners of the Chalk Line Guides.

**Do not stand up the Posts yet;** some of the following procedures are easier to complete if the Posts are laying on the ground.

## Installing the Crosstubes

Your Lift has a total of four Crosstubes, two per Platform:

### Upper Platform:

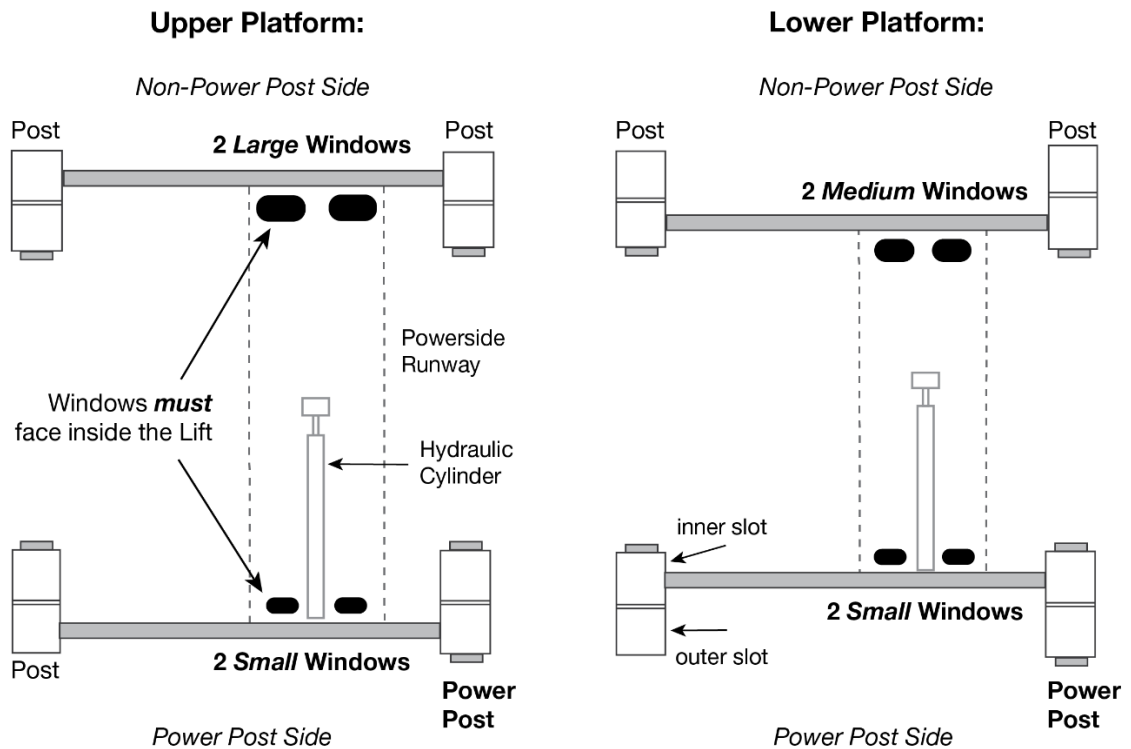
- **Crosstube with Large Windows:** holds two *Large* Double Cable Sheaves, on the Non-Power Post Side of the Lift.
- **Crosstube with Small Windows:** holds two Cable Sheaves, perpendicular to the Power Post.

### Lower Platform:

- **Crosstube with Medium Windows:** holds two *Medium* Double Cable Sheaves, on the Non-Power Post Side of the Lift.
- **Crosstube with Small Windows:** holds two Cable Sheaves, perpendicular to the Power Post.

**Important** It is possible to install the Crosstubes **incorrectly** in several different ways. Take your time and get it right the first time.

The following drawing shows both Crosstubes for each Platform.



### To install the Crosstubes:

1. Decide which Platform you want to start with, then find the two Crosstubes that go with that Platform.

**NOTICE** The Crosstubes with Small Windows are the same for both Platforms, so it does not matter what Platform they go to; the other two Crosstubes are **not** interchangeable.

**Make sure you have the correct Crosstubes for the Platform on which you are working.**

2. With the Posts on the ground, slide the Crosstubes into place.

Both Windows **must** be on the ends of the Powerside Runway and facing the inside of the Lift.

3. Perform Step 2 for the other two Crosstubes.

## About Safety Locks

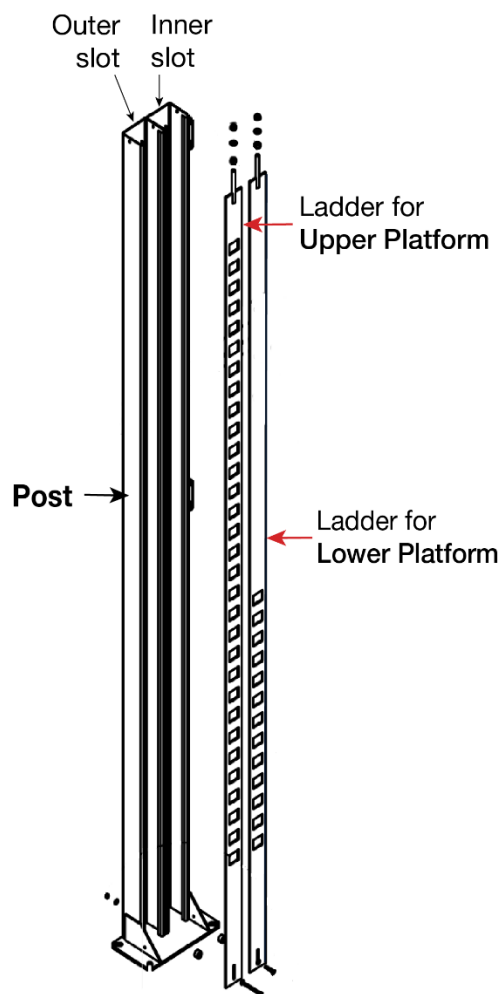
Safety Locks hold the Runways in place. Once engaged, Safety Locks hold the Runways in place, even if the power goes out or the Hydraulic Lines break or leak.

**Important:** Simply raising the Runways does not necessarily engage them on the Safety Locks. You must back the Runways down onto the Safety Locks to engage them.

**⚠ WARNING** Safety Locks are dependent on correct installation of the 'Ladders.' Pay careful attention when installing the Ladders, thus ensuring correct operation of the Safety Locks on your Lift.

The Ladders, two per Post, are steel pieces with holes spaced every four inches. As you raise the Runways, the Safety Locks move into the holes in the Ladder. When you move the Runways back down a little after passing a Safety Lock, the Safety Lock engages. Once they are engaged, Safety Locks stay engaged until you are ready to lower the Runways.

**⚠ WARNING** Always leave the Runways either fully lowered or engaged on their Safety Locks. When you engage the Safety Locks at a desired height, check to make sure that all four Safety Locks for that Platform are engaged.



So how do the Runways come down if the Safety Locks are engaged? To lower the Runways, you raise them a few inches (to get them off the Safety Locks), then **press and hold down** the pushbutton on the Pushbutton Air Valve. While you hold down the pushbutton, the Safety Locks are moved away from the Ladders; they cannot engage, which allows the Runways to be lowered.

Out of an abundance of caution, your Lift has a second, independent Safety Lock system called the Slack Safety. In total, your Lift has two Safety systems:

- **Safety Locks:** The primary system to hold up the Runways on your Lift are the Safety Locks. When you move the Runways up, you can hear clicks as the Safety Locks go into the holes in the Ladders. When you want to keep the Runways at a certain height, you go slightly past the height you want, then back the Safety Locks down into the holes in the Ladders, which engages them.
- **Slack Safety:** The Slack Safeties are next to the Safety Locks on the ends of the Crosstube Gussets. They are different from the Safety Locks in that when the Cables are taut (which they are during normal operation), they hold the Slack Safeties away from the Ladder so that the Slack



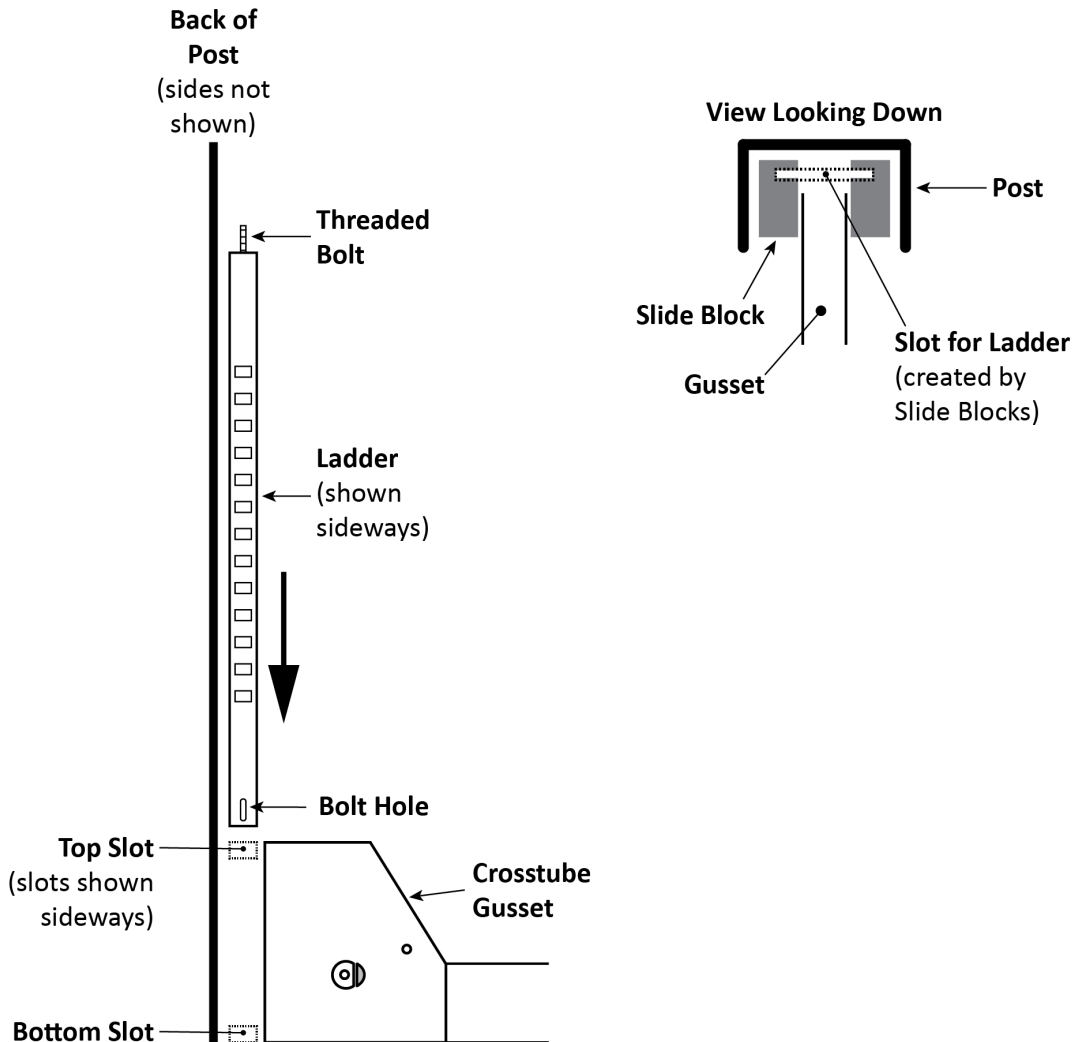
Safeties cannot engage. However, if a Cable were to break (which very rarely happens), the Slack Safety for the broken Cable immediately engages, preventing the Runways from falling.

## Installing the Ladders and Top Cap

Each Post has two Ladders, each gets installed on the inside back of a Post; Ladders are secured at the top and the bottom. Note that these Ladders are **not** interchangeable and must go in the correct slots. The four Ladders with 31 holes go in the outer slots of the Post, and the other four Ladders with 13 holes go to the inner slots. The Top Caps secure the Ladder at the top of each Post and hold the ends of the Cables.

**Note:** It is much easier to secure the bottom of the Ladders once the Crosstubes have been raised, so that portion of installing the Ladders is described in [Securing the Ladders](#).

**⚠ WARNING** Make sure to install the Ladders correctly. If they are not installed correctly, the Safety Locks on your Lift may not hold the weight of a Vehicle, putting anyone under the Platform in danger.



*Slots are created by the Slide Blocks on the Crosstube Gusset. Front and Side views combined. Not to scale. Not all components are shown.*

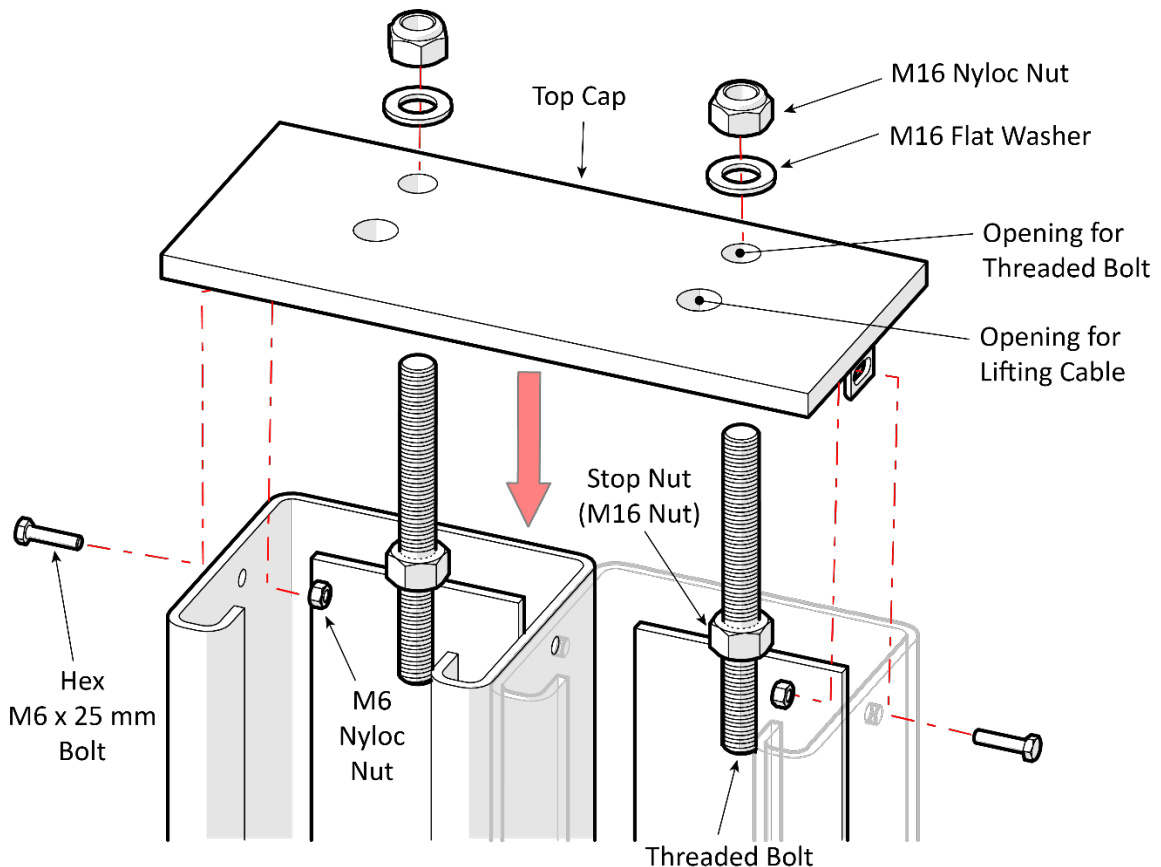
## To install the Ladders and the Top Caps:

1. Take a Ladder and slide it down the back of the Post, Bolt Hole end at the bottom.

**Make sure the Ladder goes through both Slots on each Gusset.** There is a Slot at the top of the Gusset and another Slot at the bottom of the Gusset, formed by the Slide Blocks.

**⚠ WARNING** It is easy to see the top Slot created by the Slide Blocks. It is difficult to see the bottom Slot, but it is **required** that the Ladder goes through both Slots. If the Ladder misses a Slot or the Slide Blocks were not installed correctly, your Safety Locks will **not** function correctly.

2. Install the remaining Ladders the same way.
3. **Moving to the top of the Ladders**, put a Stop Nut on the Threaded Bolt at the top; move it down half an inch from the top of the Post.



*Front View. Not all components shown.*

4. Put the Top Cap onto the top of the Post, securing it on the sides with a Hex Head Bolt and a Nyloc Nut on each side of the Top Cap.
5. Move the Stop Nut up until it contacts the underside of the Top Cap, then add a Flat Washer and Nyloc Nut to the top of the Top Cap and tighten it.

Only hand tighten at this point, with about an inch of thread above the top of the Top Nut.

**Note:** The other hole in the Top Cap is for the Lifting Cable that is routed to the top of the Post, which is done later in the installation.

6. Install the remaining Top Caps the same way.

---

## Raising the Crosstubes

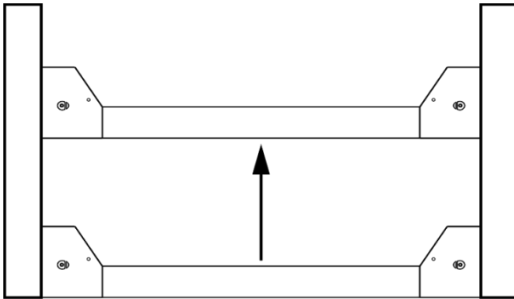
You need to manually raise the Crosstubes for each Platform, which makes it easier to complete the rest of the installation tasks.

The Front and Rear Crosstubes need to be raised the same height, to the same Safety Lock. For example, if the Front Crosstube of the Upper Platform is raised to the sixth Safety Lock, then the Rear Crosstube for the Upper Platform also needs to be placed on the sixth Lock.

### To raise the Crosstubes:

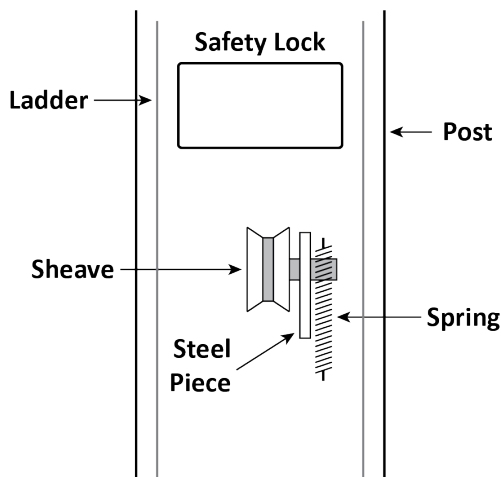
1. Using a Forklift or Shop Crane, carefully raise each Crosstube.

You want to raise the Crosstubes for the Upper Platform at least two feet higher than the Lower Platform, to have enough room to work under it, making it easier to route the Cables and Lines.



**Important:** The Slack Safeties cannot be engaged as you continue with the installation. Because the Cables are not in place yet, the Slack Safeties are going to engage when you manually raise the Crosstubes. You need to disengage them after you have raised the Crosstubes. The Primary Safeties are not impacted; they will engage normally when you manually raise each Crosstube, which is what you want.

2. To disengage the Slack Safeties after raising a Crosstube, press the Sheave and/or the Steel Piece (they are connected and will move together) back towards the Ladder and the back of the Post.



3. Once both Crosstubes are in position, **all Primary Safeties are engaged**, and the Slack Safeties have been disengaged, you can continue with the installation.
4. Repeat Steps 1 through 3 for the other Platform.

## Securing the Ladders

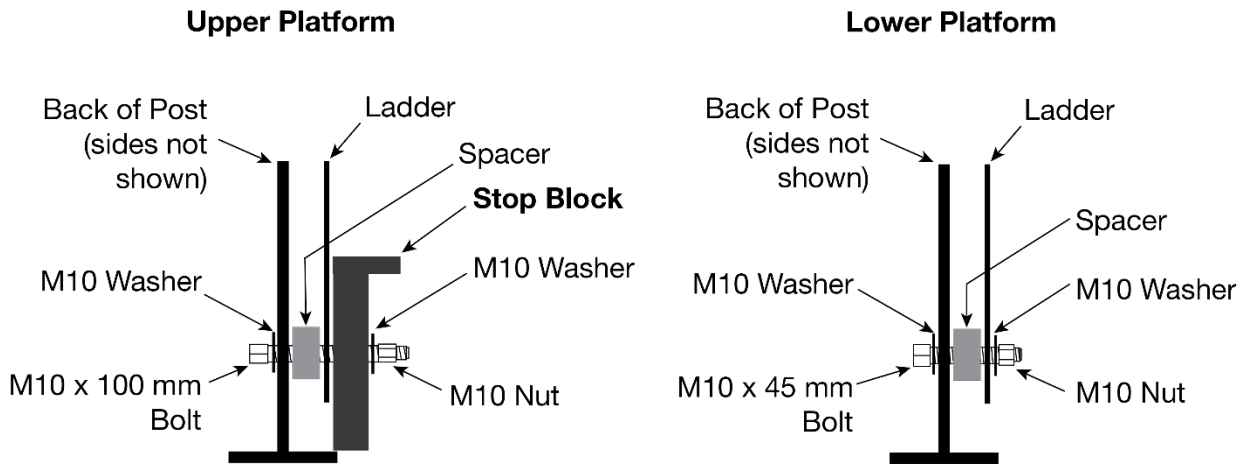
After the Crosstubes have been raised, secure the Ladders at the bottom of the Post. The following procedure assumes that the Ladders are in place and secured at the top. If this is not the case, return to [Installing the Ladders](#).

The procedure for securing the Ladders is mostly the same for both Platforms, except the Upper Platform has one additional component to secure; the Upper Platform uses **Stop Blocks** near the bottom of the Ladders. They prevent the Safety Shutoff Bar and the Microswitch (on the underside of Upper Platform) from contacting the Lower Platform when fully lowered.

### To secure the Ladders:

1. Locate a Bolt, Washer, Spacer, second Washer, and Nut.

If you are working on the Upper Platform, locate the four Stop Blocks.



Side view of the Post. Not all components are shown.

2. Put a Washer next to the Bolt head, then insert the Bolt through the hole in the Post.  
Make sure the Ladders for the Upper Platform go in the Outer Slots of the Post.
3. Put the Spacer into position between the Ladder and the back of the Post, push the Bolt through the Spacer, and then through the back of the Post.

For the Upper Platform, push the Bolt through the Spacer, Ladder, Stop Block, and then through the inside of the Post.

4. Take the second Washer and the Nut and install them on the end of the Bolt; secure the Nut.
5. Perform the same procedure to secure the remaining Ladders on the Lift.

**Note:** Do not securely tighten the Top Nut at the top of the Top Cap at this point. The Top Nut and the Stop Nut will be used later to make sure the Lift is level. They can be securely tightened after you do the final leveling of the Lift; See [Final Leveling](#) for additional information.

**⚠ WARNING** Make sure that all eight Ladders are correctly installed and secured. If the Ladder misses a Slot, your Safety Locks will **not** function correctly, which is a danger to anyone under the Platform that is holding a Vehicle or around it.

## Raising the Posts

Because your Lift has taller Posts than most Parking Lifts, it is better to delay raising the Posts into position until after the Upper Crosstube has been raised and all eight Ladders have been secured.

**⚠ WARNING** The Posts are very heavy; you **must** have a Forklift or Shop Crane to move them into position. Use care when moving them, if they fall on a person, they could cause severe injury.

### To raise the Posts into position:

1. Raise the Upper Crosstube so that it is raised just past the halfway mark of the Posts.

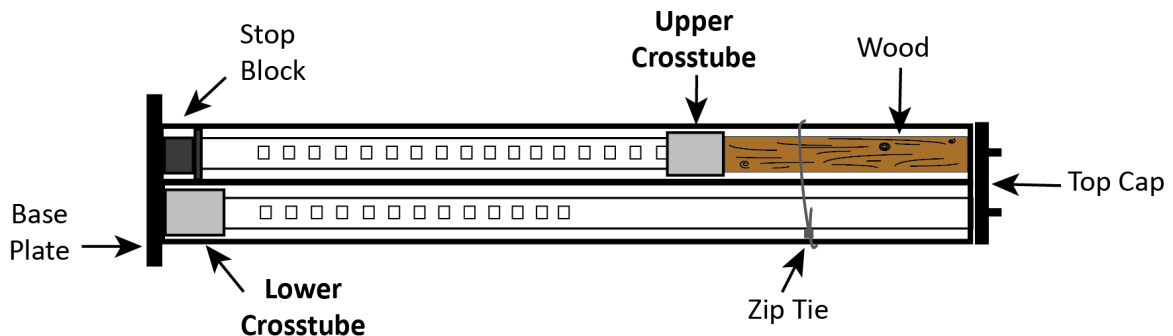
The Lower Crosstube remains lowered.

2. Take two wood blocks, **2 x 4** in **width** and maximum **52 inches** in **length** and place them in the spaces above the Upper Crosstubes.

The wood blocks are used so that the Crosstubes cannot slide upward when the Posts are raised.

**⚠ CAUTION** We recommend wrapping zip ties around the entire width of the Post near the blocks of wood; this is so when the Posts are raised, the blocks do not fall out.

Why these specific measurements? Anything wider than 2 x 4 risks touching the Slack Safety Sheave in the Crosstube; anything longer than 52 inches places the Crosstube lower down the Post, which forces most of the weight towards the Bottom of the Post, losing the equal distribution of weight.



Drawing shows the Post on its side. Not all components are shown. Not to scale.

3. Wrap two Industrial Straps around the Upper Crosstube, then using a Forklift in the widest setting, carefully stand up the Posts.

You must have *at least* two people work together to stand up the Posts: one controlling the Forklift, and the other positioning the Posts.

**⚠ CAUTION** Make sure the Industrial Straps are the same length, or the Posts may not raise evenly if one Strap has more slack than the other.

4. Repeat the same process for the other two Posts, inserting the wood block above the Crosstubes.
5. Use a Transit Level to estimate the Shim requirements: use a target to find the difference in height between the Posts. The difference is the estimated amount of Shim thickness you will need.

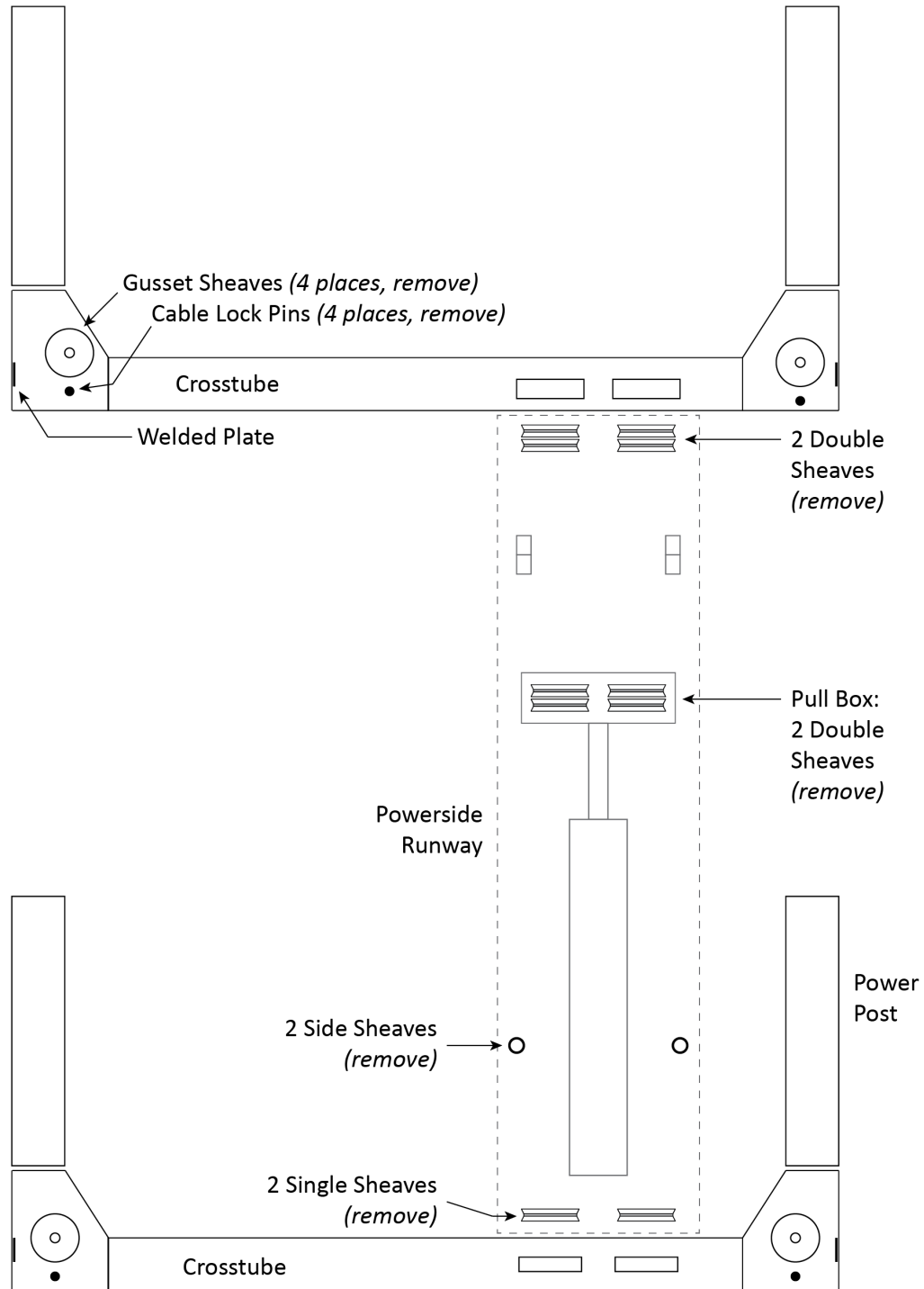
Do not use Shims and/or Anchor Bolt to Shim more than 1/2 an inch. You can order 2-inch Shim Plates for extreme cases.

**Do not anchor the Posts at this point.**

## Removing the Sheaves

To route the Lifting Cables, you need to first remove the Cable Sheaves and Gusset Sheaves.

When you remove the Sheaves, **keep all the components together**. You will be reinstalling them at the same location, using the same components; do not mix the components for each Platform.



*Pull Box and Side Sheaves are for Upper Platform only. Not to scale. Not all components shown.*

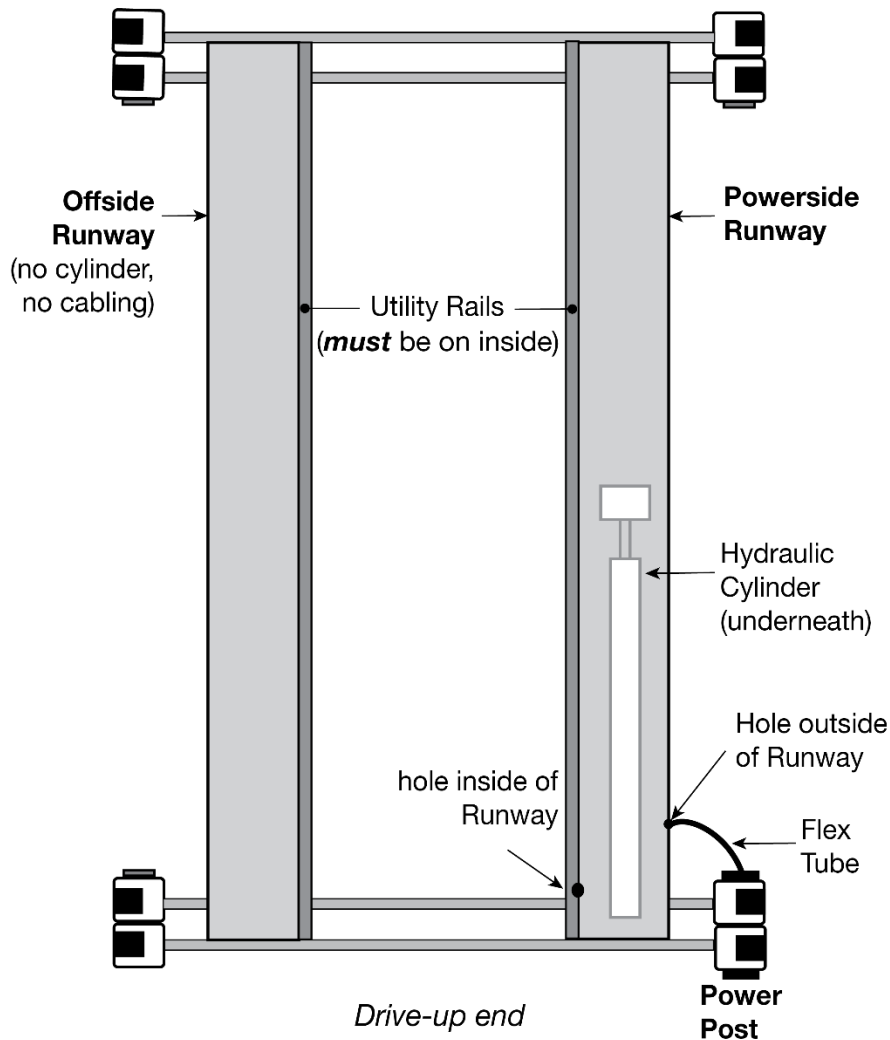
## Installing the Runways

Your Multi-Level Lift has two sets of Runways. Each Platform has a:

- **Powerside Runway:** Holds the Hydraulic Cylinder underneath it. Has a hole on the outside that lets you route the Hydraulic Hose, Air Lines, and Return Line, (also a Microswitch for the Upper Platform only) to the Power Unit. Cable routing starts under the Powerside Runway.
- **Offside Runway:** The Offside Runway does not have a Hydraulic Cylinder under it, nor are there any Cables under it.

You can double check this by:

- Looking under the Runways. Only the Powerside Runways have a Hydraulic Cylinder underneath.
- Finding the ~1.5-inch-wide hole in the side of the Powerside Runway at the Power Post for the Flex Tube (which holds the Air, Return, and Hydraulic Hoses).



*Top View. The opening on the inside of the Powerside Runway is for the Upper Platform only. Not to scale. Not all components shown.*

Use a Forklift or Shop Crane to raise the Runways and move them into position.

**⚠ WARNING** Pay close attention when moving the Runways into position; they are very heavy and very long, and could shift position or fall, potentially causing severe injury.

**To install the Runways:**

We recommend beginning with the Lower Platform and then continue with the Upper Platform.

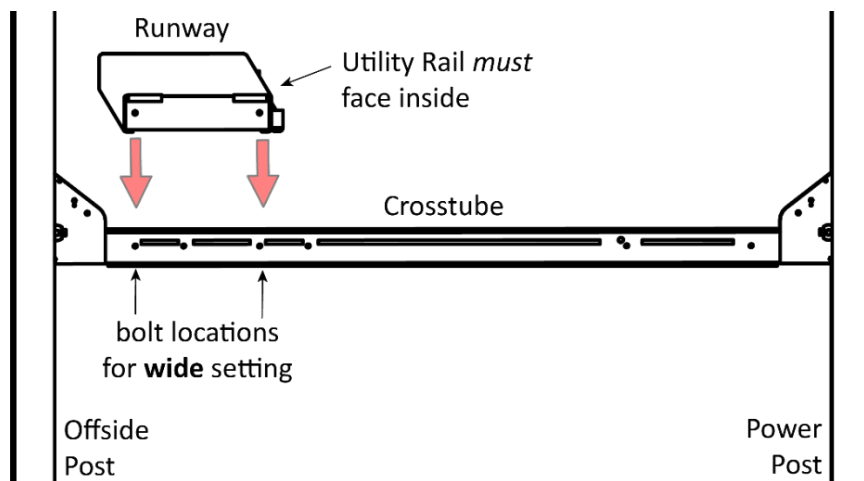
1. Correctly orient the Powerside Runway and the Offside Runway.
2. On the underside of the Powerside Runway, make sure the Sheaves have been removed.

See **Removing the Sheaves** for more information.

3. Use a Forklift or Shop Crane to pick up the Powerside Runway and move it into place on the Powerside of the Lift.

**Make sure the Utility Rail is on the inside.**

4. Bolt the Powerside Runway into place, two M12 x 1.75 x 90 mm Bolts on each end going into the Crosstubes.
5. Using a Forklift or Shop Crane, pick up the Offside Runway and position it in the wide setting.



Front view. Not all components are shown.

6. Bolt the Offside Runway into place, using two more M12 x 1.75 x 90 mm Bolts.
7. Make sure the Primary Safety Locks are engaged.

You do not want anyone going under the Runways unless the Safety Locks are engaged.

8. Repeat Steps 1 through 7 for the Upper Platform.

**⚠ WARNING** Do not continue with the installation until you have visually confirmed that all four Safety Locks are engaged on each Platform. If they are not engaged, the Runways could move or fall, possibly causing personal injury or product damage.



---

## Routing the Lifting Cables

Before routing the Lifting Cables on your Lift, you need to know the following:

- Each Platform has four Lifting Cables. All Cables have varying lengths and can only make one connection.
- All Lifting Cables have a Button end and a Threaded end. The Threaded end has a label on it that identifies the Lift model the Cable is designed for (and **must** be used with), the part number (if you need to replace it), and its length (in millimeters).



### Button end.

Attaches at  
Tie Plate or  
Anchor Plate

### Threaded end.

Attaches at  
top of Post

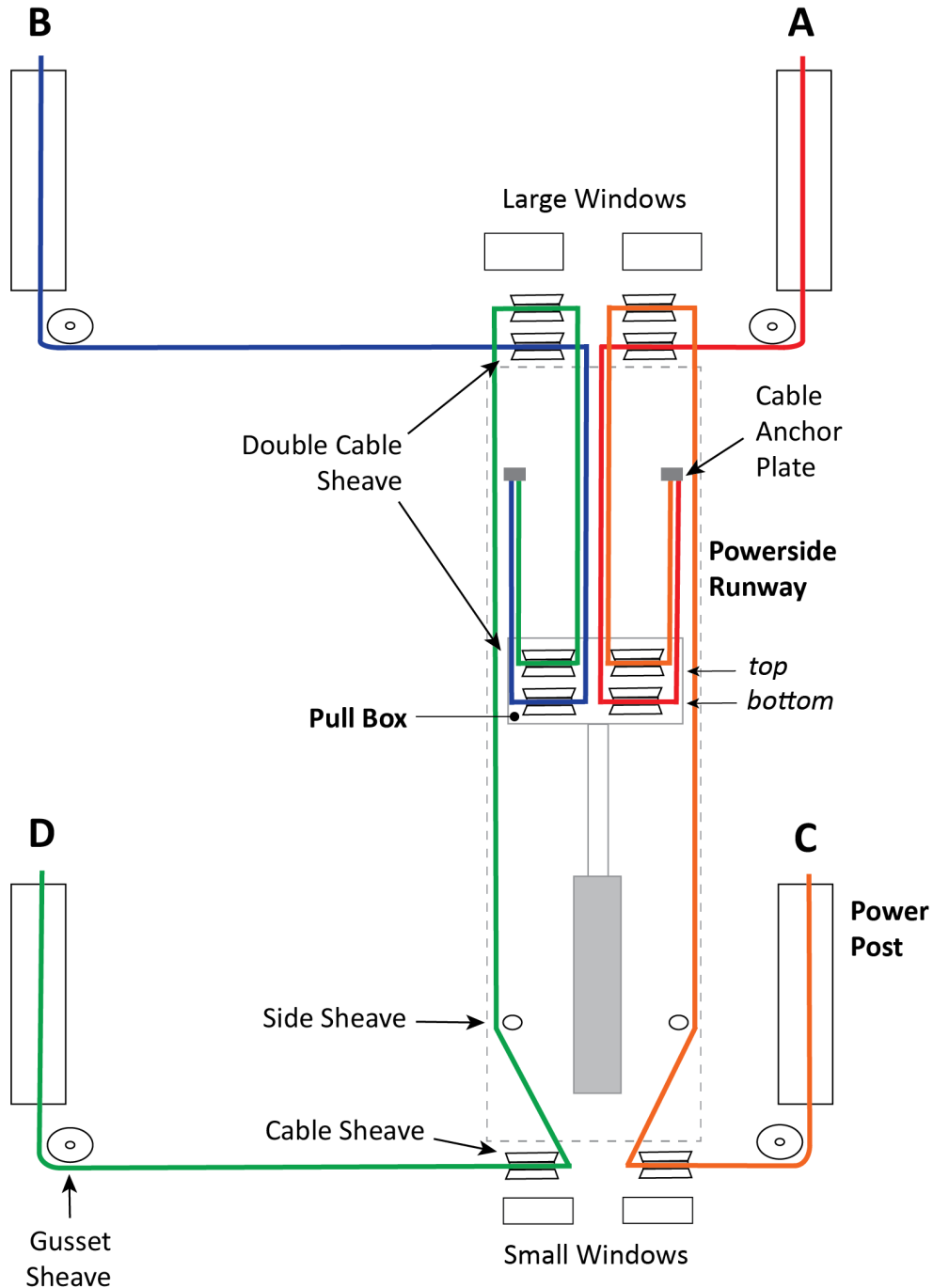
- The Threaded end of each Lifting Cable goes to its paired Cable Sheave (or Sheaves) and then gets routed to a Post; there are two kinds of Sheaves: Cable Sheaves and Gusset Sheaves.
- Cable Sheaves and Gusset Sheaves come installed but must be removed prior to putting the Runways in place. They are put into place as you route each Lifting Cable.
- Each Platform has a set of Double Cable Sheaves in the Crosstube with Large Windows (also inside the Pull Box for the Upper Platform).
- The two Lifting Cables that share a Double Cable Sheave (Lifting Cables A and C, then Lifting Cables B and D) are routed around the same time in order to reinstall the Double Cable Sheaves.
- Each Crosstube Gusset has a Cable Lock Pin underneath the Gusset Sheave. Each Cable Lock Pin needs to be removed when routing the Cable to its Post. Reinstall the Cable Lock Pin once the Cable is in place.
- The Cable Lock Pin prevents the Cable from coming out later; there is not enough space between the bottom of the Gusset Sheave and the Cable Lock Pin for the Cable to slip out.
- In the following drawings, the Lifting Cables and Cable Sheaves are labeled A, B, C, and D. These letters are **not** on the label on the Threaded end. You must match the Cable letter with the length information.
- The Lifting Cables for the **HD-973P** are:
  - Upper Platform:
    - **A: 5,704** mm / 19 feet / 224.5 in.
    - **B: 7,301** mm / 24 feet / 287.5 in.
    - **C: 10,484** mm / 34.5 feet / 412.75 in.
    - **D: 12,072** mm / 39 feet / 472.25 in.
  - Lower Platform:
    - **A: 5,050** mm / 17 feet / 199 in.
    - **B: 6,670** mm / 22 feet / 262.75 in.
    - **C: 9,492** mm / 31 feet / 373.75 in.
    - **D: 11,104** mm / 36.5 feet / 437 in.
- The Lifting Cables for the **HD-973PX** are:
  - Upper Platform:
    - **A: 5,940** mm / 19.5 feet / 234 in.
    - **B: 7,538** mm / 25 feet / 296.75 in.
    - **C: 10,990** mm / 36 feet / 432.75 in.
    - **D: 12,578** mm / 41 feet / 495.25 in.
  - Lower Platform:
    - **A: 5,012** mm / 16.5 feet / 197 in.
    - **B: 6,638** mm / 22 feet / 261.25 in.
    - **C: 9,726** mm / 32 feet / 383 in.
    - **D: 11,315** mm / 37 feet / 445.5 in.

## Routing the Lifting Cables on the Upper Platform

The Upper Platform uses two Cable Anchor Plates along the sides of the Powerside Runway to hold the Button ends of the Lifting Cables.

Lifting Cables A and B are routed through two Cable Sheaves and then one Gusset Sheave; Cables C and D route through three Cable Sheaves, one Side Sheave, and one Gusset Sheave.

The following drawing shows the routing for all four Lifting Cables on the **Upper Platform**.



*Cable Sheaves separated from Windows for clarity. Crosstubes not shown. Not to scale.*

Before routing the Lifting Cables, extend the Piston on the Hydraulic Cylinder.

**To extend the Piston:**

1. Remove the Shipping Plug from the Return Line Connector.

The Return Line Connector is on the Cylinder end closest to where the Power Unit will be.

2. Attach an air pressure source to the Return Line Connector.
3. Use the air pressure to extend the Hydraulic Cylinder's Piston.

**Do not exceed 50 psi.**

4. If the Cylinder does not move, stop using air pressure; instead, use a pulling device (such as a Come Along Tool) to extend the Piston; be careful not to damage the Piston.
5. Reinstall the Shipping Plug to the Return Line Connector.

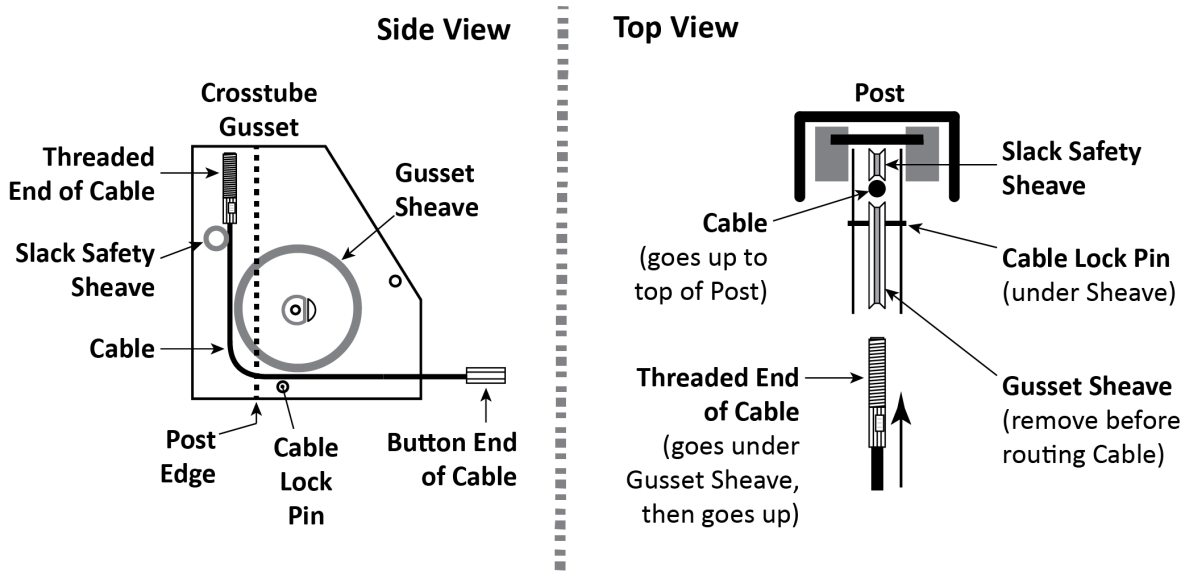
**To route Lifting Cables A and C:**

1. Make sure you have nearby the four Lifting Cables and Sheaves you removed earlier.
2. **Starting with Lifting Cable A**, move the entire thing to just under the Large Window it goes through, near the bottom of Post A.

Check the label to make sure you have the correct Cable.

3. Remove the Nut and Washer from the Threaded end (but keep it nearby, you will need it soon).
4. Route the Threaded end of Lifting Cable A into its Large Window in the Crosstube, push it towards Post A, and then pull the Threaded end out of the Crosstube at the bottom of the Gusset.
5. Route the Threaded end of Lifting Cable A **under** where the Gusset Sheave will go when it is reinstalled, then route it up towards the top of the Post past the top of the Crosstube Gusset.

When you start routing the Cable up, it **must** be between the Gusset Sheave and Slack Safety Sheave, as shown below.



**Important:** When routing a Lifting Cable in its Post, it must go **under** where the Gusset Sheave will go when the Gusset Sheave is reinstalled and then, when it heads up towards the top of the Post, it must be between where the Gusset Sheave will go and where the Slack Safety Sheave already is. If the Cable is **not in this exact location**, the Slack Safeties will **not** work correctly later.

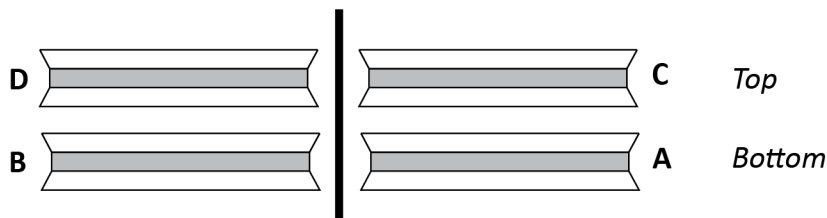
6. With the Cable in place, reinstall the Gusset Sheave and the Cable Lock Pin in Post A.
7. Push the Threaded end of Lifting Cable A up to and through the Top Cap (at the top of Post A) and **hand tighten** it in place with the Nut and Washer you removed earlier.

You only want to hand tighten the Nut at this point so that there is little play in the cabling. We will securely tighten all four Nuts later in the installation.

**Note:** The Threaded end of the Lifting Cable A should just go a little bit through the Top Cap. If it is too long or way too short, you have the wrong Lifting Cable. If it is just a few inches short, then the Piston on the Hydraulic Cylinder may not have been pulled out far enough.

8. Make sure the Button end and the unrouted part of Lifting Cable A is under the Large Window, near the bottom of Post A.
9. **Switching to Lifting Cable C**, repeat Steps 1 through 7 for Lifting Cable C, starting at the Small Window near the bottom of Post C (Power Post).
10. Once the Threaded end of Lifting Cable C is secured at its Top Cap, return to the Small Window at the bottom of Post C.
11. Under the Powerside Runway, move the rest of Lifting Cable C towards where the Side Sheave goes on the Post C side of the Runway.
12. Return to the Small Window and reinstall the Cable Sheave.  
Make sure Lifting Cable C is correctly positioned in the Cable Sheave in the Small Window.
13. Position the Button end of Cable C between the Runway and where the Side Sheave will be once it is reinstalled, and with the Cable in place, reinstall the Side Sheave.
14. Route the Button end of Cable C towards the Crosstube with Large Windows, where Lifting Cable A is.
15. Gather the Button ends of Lifting Cables A and C, making sure to position Lifting Cable A *below* Lifting Cable C.
16. Push Lifting Cables A and C into the Large Window where the Double Cable Sheave goes and pull the Button ends towards the Pull Box.
17. With the Cables in place in the Large Window, reinstall the Double Cable Sheave.

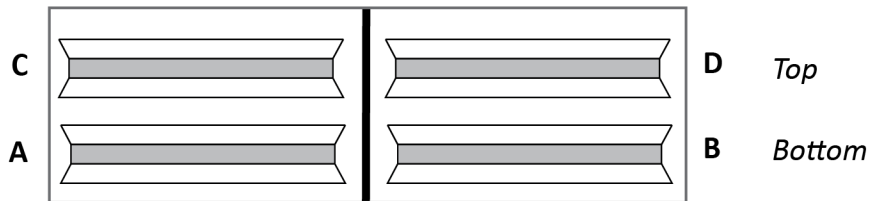
The following drawing shows the Cable/Cable Sheave Pairs in the Large Windows.



Front view of the Crosstube with Large Windows. Not all components shown. Not to scale.

18. Pull the two Lifting Cables towards the Pull Box and double check that Cable A remains *below* Cable C.
19. Position the Lifting Cables on the correct side of the Pull Box, with the Button ends of both heading back out of the Pull Box.
20. With the Cables in place, reinstall the Double Cable Sheave in the Pull Box.

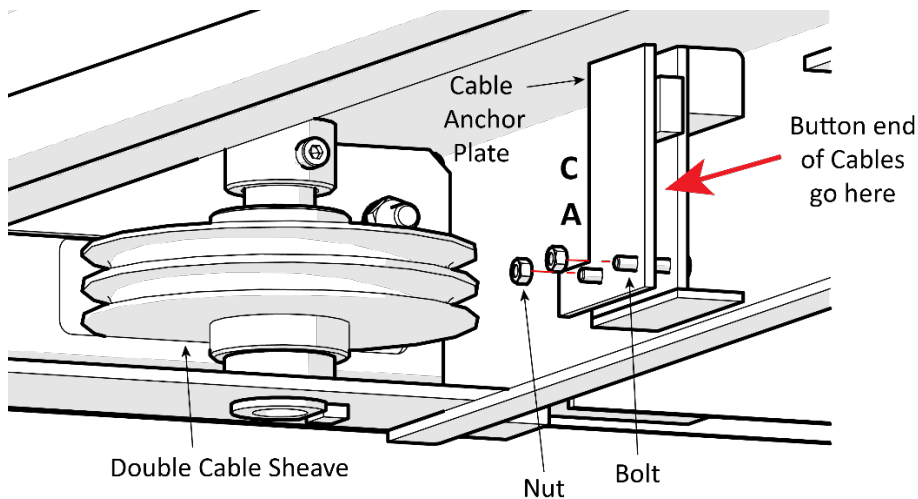
The following drawing shows the Cable/Cable Sheave pairs in the **Pull Box**.



Front view of the Pull Box, looking back towards the Hydraulic Cylinder. Not to scale.

21. Pull the Button ends of both Cables towards the Cable Anchor Plate on the side of the Runway.
22. Unscrew the Bolts from the Cable Anchor Plate so that the Button ends of the Cables may slip through the slot from underneath, then reinstall the Bolts.

The following drawing shows the Cable Anchor Plate closest to Post A.



Not to scale. Not all components are shown.

**Note** If Lifting Cables A and C are stretched tight and you cannot get the Button ends secure in the Cable Anchor Plate, you can temporarily remove the Double Cable Sheave in the Pull Box to get a little slack. This issue does not happen often; there is usually slack in the Lifting Cables, depending on how far the Piston was extended.

23. If you see slack in the Lifting Cables, this is normal. It will go away once you start using the Lift.

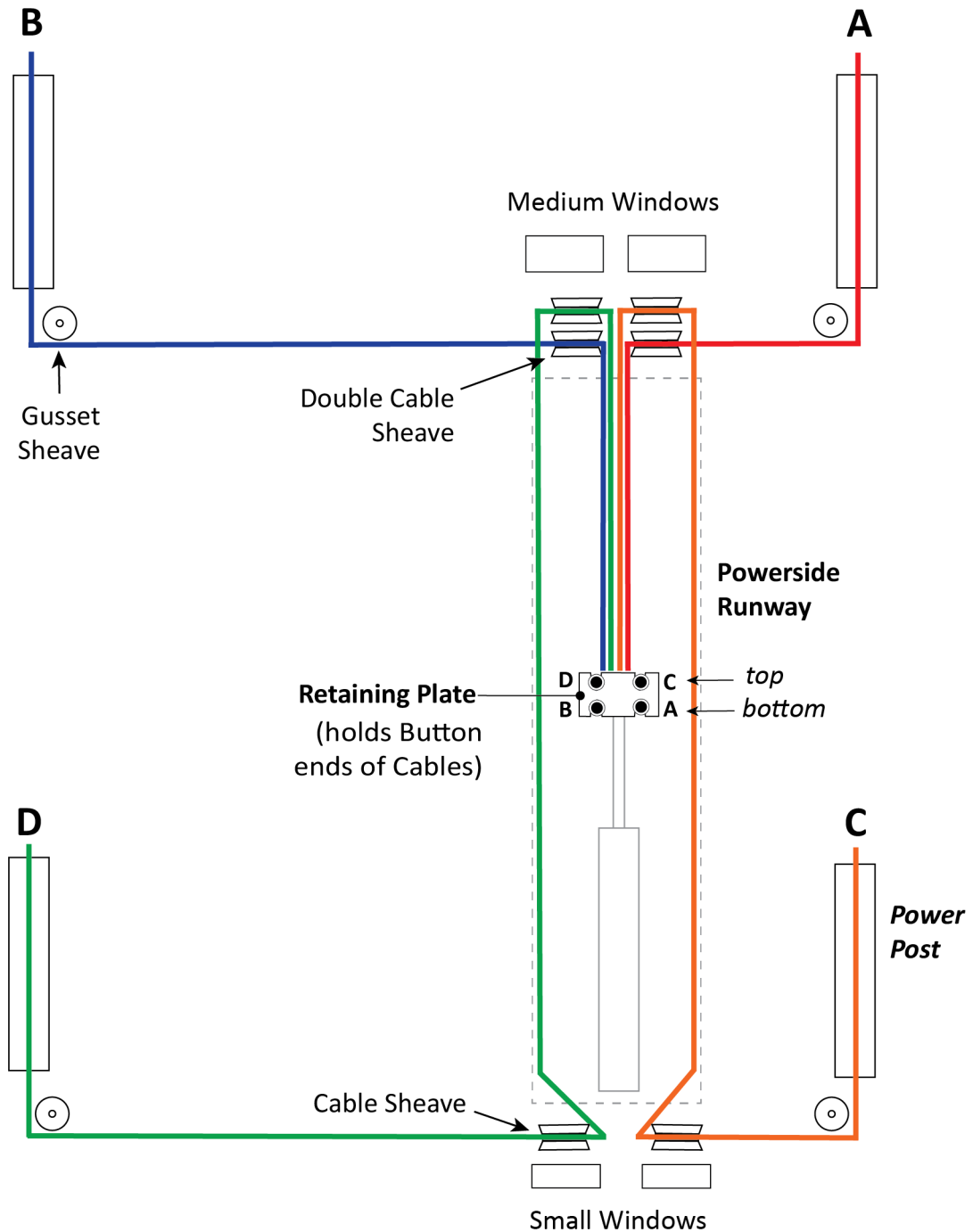
**Note** Routing Lifting Cables B and D is the same process as routing Lifting Cables A and C, just to the other two Posts and using a different set of Sheaves. Refer to the drawings in the previous section.

## Routing the Lifting Cables on the Lower Platform

Unlike the Upper Platform, the Lower Platform uses a Retaining Plate and Tie Plate to hold the Button ends of each Lifting Cable.

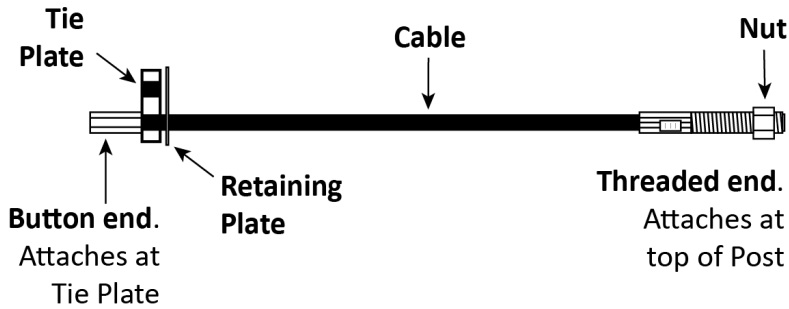
The Retaining Plate holds the Button ends of the Cables in place after all four Cables are installed. **Do not take the Tie Plate off to install the Cables**; instead, loosen it so that you can slip the Button end of the Cable into the correct slot.

The following drawing shows the routing for all four Cables on the **Lower Platform**.



*Cable Sheaves separated from Windows for clarity. Crosstubes not shown. Not to scale.*

The following drawing shows the Tie Plate and Retaining Plate.

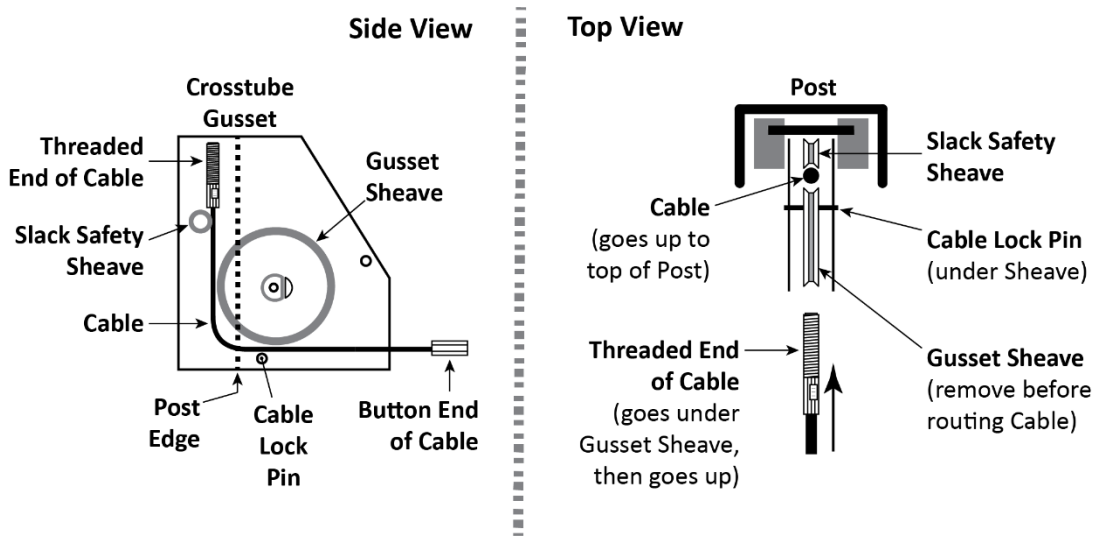


Before routing the Cables, extend the Hydraulic Cylinder's Piston and Retaining Plate. See the previous procedure for more information.

**To route Lifting Cables A and C:**

1. **Starting with Lifting Cable A**, move the entire thing to just under the Medium Window it goes through, near the bottom of Post A.  
Check the label to make sure you have the correct Lifting Cable.
2. Remove the Nut and Washer from the Threaded End (but keep it nearby, you will need it soon).
3. Route the Threaded End of Lifting Cable A into its Medium Window on the Crosstube, push it towards Post A, and then pull the Threaded End out of the Crosstube at the bottom of the Gusset.
4. Route the Threaded End of Lifting Cable A **under** where the Gusset Sheave will go when it is reinstalled, then route it up towards the top of the Post past the top of the Crosstube Gusset.

When you start routing the Cable up, it must be between the Gusset Sheave and Slack Safety Sheave, as shown below.



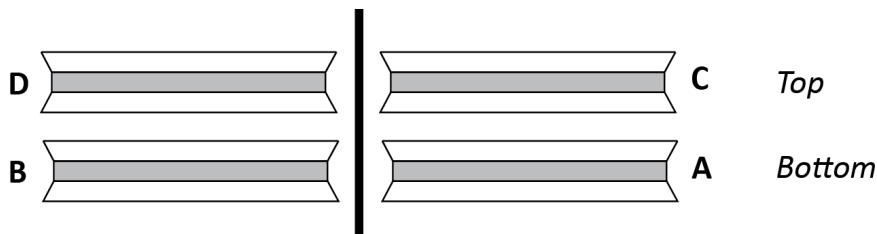
**Important:** When routing a Lifting Cable in its Post, it must go **under** where the Gusset Sheave will go when the Gusset Sheave is reinstalled and then, when it heads up towards the top of the Post, it must be between where the Gusset Sheave will go and where the Slack Safety Sheave already is. If the Cable is **not in this exact location**, the Slack Safeties will **not** work correctly later.

5. With the Lifting Cable in place, reinstall the Gusset Sheave and the Cable Lock Pin in Post A.

6. Make sure Lifting Cable A is correctly positioned: in between the Gusset Sheave and the Slack Safety Sheave, with the Cable Lock Pin **under** it.
7. Push the Threaded End of Lifting Cable A up to and through the Top Cap (at the top of the Post) and **hand tighten** it in place with the Nut and Washer you removed earlier.  
You only want to hand tighten the Nut at this point so that there is little play in the cabling. We will securely tighten all four Nuts later in the installation procedure.
8. **Switching to Lifting Cable C**, repeat Steps 1 through 7 for Lifting Cable C, starting at the Small Window near the bottom of Post C (the Power Post).
9. Reinstall the Cable Sheave and then make sure Lifting Cable C is correctly positioned in the Cable Sheave in the Small Window.
10. Under the Powerside Runway, move the rest of Lifting Cable C back towards the Crosstube with Medium Windows.
11. Push Lifting Cables A and C into the Medium Window where the Double Cable Sheave goes and pull the Button ends towards the Tie Plate.
12. With the Cables in place in the Medium Window, reinstall the Double Cable Sheave.

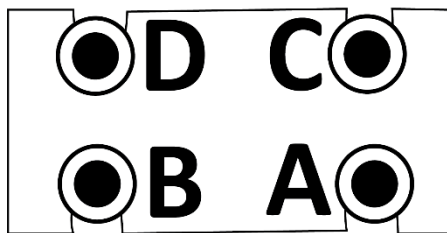
Make sure Lifting Cable A sits in the bottom Sheave, and Cable C is in the top Sheave.

The following drawing shows how to route the Lifting Cables around the Double Cable Sheaves.



Drawing shows a front view of the Cable/Cable Sheave pairs in the Crosstube with Medium Windows. Not all components shown. Not to scale.

13. By the Hydraulic Cylinder, loosen the Retaining Plate enough to give you room to slip the Button End of each Cable into its spot on the Tie Plate.  
**Do not take the Retaining Plate off**, just loosen the Retaining Plate enough to give you enough room to slip the Button End of each Lifting Cable into place.
14. Pull the Button Ends of Lifting Cables A and C back towards the middle of the Runway, past the Retaining Plate, and into its slot on the Tie Plate.



Drawing shows a front view of the Tie Plate, facing towards the Crosstube with Medium Windows.

**Note** Routing Lifting Cables B and D is the same process as routing Lifting Cables A and C, just to the other two Posts and using a different set of Sheaves. Refer to the drawings in the previous section.



---

## Working with Compression Fittings and Tubing

Your Lift comes with a roll of ¼ inch, black, polyethylene Tubing (also called Poly-Flo® Tubing) that is used with Compression Fittings in two ways: for the Return Line and for the Air Lines on each Platform.

**Important:** While both lines use Tubing and Compression Fittings, the Return Line and Air Lines are used for separate purposes; do not connect the two together.

**Note:** Compression Fittings are different from Hydraulic Fittings. This section covers Compression Fittings only.

The components involved with Compression Fittings include:

- **¼ inch, black, polyethylene Tubing.** You use a single piece of Tubing for the Return Line. The Air Lines require multiple Tubing pieces. Create the Tubing pieces for both the Return Line and the Air Lines by cutting lengths from the long roll of Tubing supplied with your Lift.
- **Elbow Compression Fittings.** Each Return Line uses an Elbow Compression Fitting on the Hydraulic Cylinder and then another Elbow Compression Fitting on the Power Unit.
- **Tee Compression Fittings.** Each Platform requires three Tee Compression Fittings for the Air Lines.
- **Nuts, Ferrules, Rods, and Threads.** Each connector on Elbow and Tee Compression Fittings includes a Nut, Ferrule, Rod, and Threads. The Nut holds the Tubing and Fitting together. The Ferrule compresses when you tighten the Nut on the Threads to make a secure connection. The Rod goes inside the Tubing so that nothing leaks out.

The following drawing shows the components of a connector on a Tee Compression Fitting.



**Important:** *Ferrules can only be tightened once.* When you tighten the Nut on the Threads, the Ferrule gets compressed; it changes shape and **cannot** be used again.

### To connect Tubing to a Compression Fitting:

1. Push the Tubing through the Nut and over the Rod.  
Do not push hard; you only need the Tubing to go a little way over the Rod. You cannot see the Ferrule at this point, but the Tubing must go through the Ferrule and over the Rod.
2. Slide the Nut on the Tubing **away from the Fitting**; if the Nut is still on the Threads, unscrew it from the Threads and then slide it away from the Fitting. See the drawing above.
3. Slide the Ferrule over the Tubing, away from the Fitting and towards the Nut.
4. With the Nut and the Ferrule out of the way, push the Tubing further over the Rod until it stops.
5. Slide the Ferrule and the Nut back to the Threads on the Fitting.  
The Ferrule goes around the Rod and under the Threads. The Nut goes onto the Threads.
6. Tighten the Nut.

Remember that the Ferrule can only be used once; do not tighten the Nut until everything is ready.

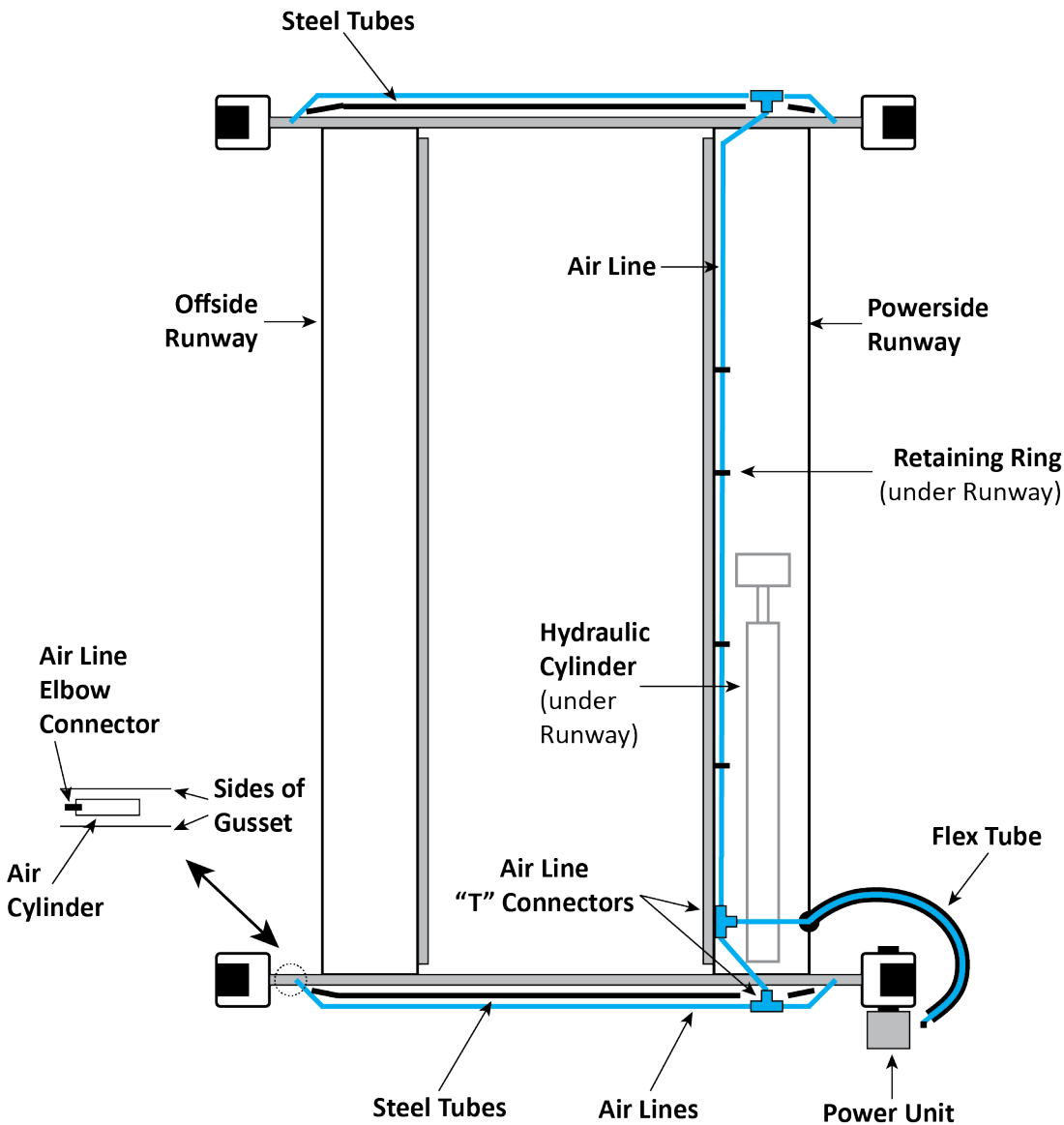
## Installing the Air Lines

The Air Lines use air pressure to disengage the Safety Locks in each Post so that you can lower the Runways. **It is your responsibility to supply the air pressure (minimum of 75 PSI).** Installing the Air Lines is the same for both Platforms.

You will need more of the ¼ inch, black, polyethylene Tubing that came with the Lift and three Air Line Tee Compression Fittings to install the Air Lines on each Platform.

**⚠ CAUTION** Do **not** confuse the Air Lines with the Return Line. They use the same Tubing and similar-looking connectors, but they are used for completely different things; the two systems cannot be connected to each other.

The Air Line Elbow Connectors on the Crosstube Gussets come installed from the factory.



*Drawing not to scale. Some components not shown. Air Lines shown outside Steel Tubes for clarity.*

---


### To install the Air Lines:

1. Find the roll of supplied ¼ inch, black, polyethylene Tubing and three Tee Compression Fittings.
2. Pick a Platform to start with, then measure the distances for each of the seven (7) Tubing pieces you will need for the Air Lines.

**Important:** Make sure to cut the Tubing piece that will go through the Flex Tube on the Upper Platform long enough so it will not pull taut when the Platform is raised.

3. Cut seven pieces of Tubing to the measured lengths from the roll of Tubing.
4. Connect the various pieces of Tubing to the Tee Compression Fittings on the Lift, making sure to route the route Tubing piece through the Retaining Rings along the inside of the Runway.

**Make sure to position the Tee Compression Fittings as shown in the drawing.**

 **WARNING** Make sure to route the Tubing pieces on the **outside** ends of the Front and Rear Crosstubes through the Steel Tubes on the ends of the Crosstubes. This keeps the Tubing and the Tee Connectors from being disturbed as you use the Lift. This is important, because if the Air Lines are disturbed, the Safety Locks on the Lift may not work correctly. If you notice that Tubing has become disconnected from a Tee Fitting, take the Lift out of service, and get the Air Lines fixed.

Refer to [Working with Compression Fittings and Tubing](#) for more information about connecting the Tubing to the Tee Compression Fittings.

5. Leave the Power Unit end of the Air Line hanging out of the Flex Tube opening for now.  
It will be connected to a Tee Fitting and the Pushbutton Air Valve later.
6. Repeat Steps 1 through 5 for the other Platform.

---

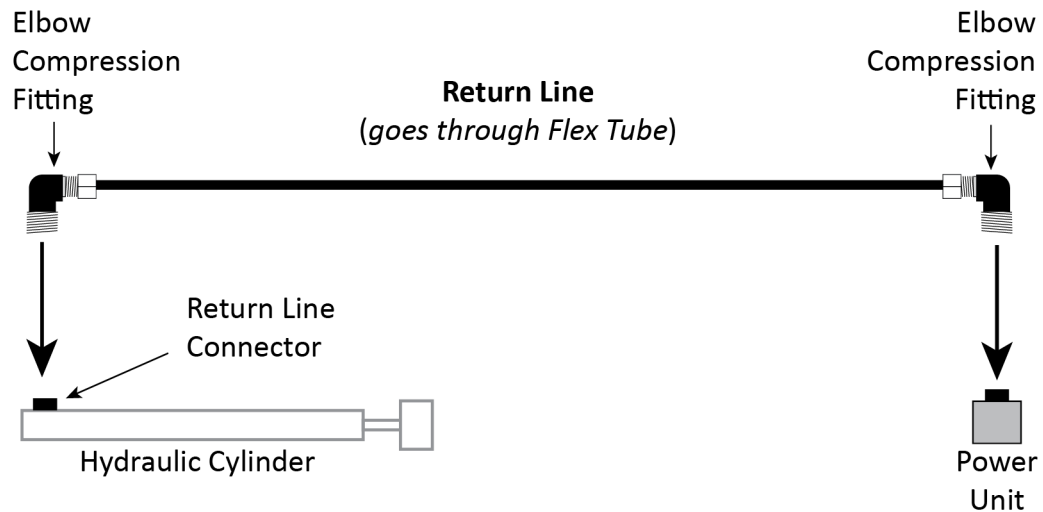
## Installing the Return Lines

Each Platform has its own Return Line; the Return Line takes excess Hydraulic Fluid coming out of the Hydraulic Cylinder and sends it back into the Fluid Reservoir on the Power Unit.

The Return Line is a single piece of ¼ inch, black, polyethylene Tubing with Elbow Compression Fittings on each end. You need to cut off a piece of the supplied Tubing of the right length to create the Return Line for each Platform.

**Important:** The Return Line uses the same ¼ inch, black, polyethylene Tubing as the Air Lines. Be sure not to confuse the two; **the Return Line and the Air Lines do completely different things and must be kept separate from each other.**

The following drawing shows where the Return Line connects on the Lift.



*Drawing not to scale. Some components not shown or exaggerated for clarity.*

1. Measure the distance from the Return Line connector on the Hydraulic Cylinder to the Hydraulic Return Port on the Power Unit.

**Important:** When measuring for the Upper Platform, make sure to cut the Return Line long enough so it will not pull taut when the Platform is raised.

2. Cut a piece of Tubing to the measured length from the roll of Tubing that comes with the Lift. It is better to cut the Tubing a little too long rather than a little too short.
3. Route the Tubing from the Hydraulic Cylinder through the Flex Tube opening, and out next to where the Power Unit will be installed. Let the Tubing hang out of the opening for now.
4. Remove the Shipping Plug from the Return Line Connector on the Hydraulic Cylinder.
5. Connect and tighten the Elbow Compression Fitting to the Hydraulic Cylinder.
6. Connect one end of the Return Line to the Elbow Compression Fitting you just installed. Refer to **Working with Compression Fittings and Tubing** for instructions.
7. Leave the Power Unit end of the Return Line hanging out of the Flex Tube opening for now. It will be connected to a Tee Fitting and then to the Power Unit later in the installation.
8. Repeat Steps 1 through 8 for the other Platform.



## IMPORTANT! PLEASE READ NOW



### **Hydraulic Fluid Contamination**

Hydraulic Fluid Contamination poses a **serious** issue for your Lift; contaminants such as water, dirt, or other debris can make their way into the Hydraulic Hoses and Fittings on your Lift, making your new Lift inoperable.

Your Lift is shipped with clean components; however, BendPak strongly recommends that you take a secondary precaution to clean all Hydraulic Hoses and Fittings prior to making connections. It is better and less costly to take these extra steps now so that you do not need to take your Lift out of service later fixing issues that could have been prevented at the time of installation.

There are several ways to clean Hydraulic Hoses and Fittings:

- **Compressed air.** Use an air compressor to blow out contaminants from each Hydraulic Hose and Fitting prior to installation. Clean, dry air is preferred. Wear eye protection (safety glasses, goggles, or face shield) when using compressed air for cleaning. Never point an air hose nozzle at any part of your body or any other person.
- **Fluid flushing.** If the Hydraulic Fluid is clean and compatible with the system fluid, you can flush Hoses and Fittings to create turbulent flow to remove particulates. Always ensure that the fluid itself is contaminant-free.











Some additional steps that will help keep the Hydraulic Fluid clean:

- **Remove old thread seal tape.** Some ports on the Hydraulic Cylinders are shipped with temporary plugs secured with thread seal tape. Make sure to thoroughly remove any leftover thread seal tape that may inadvertently enter the Hydraulic System.
- **Use a liquid thread sealant only. Teflon paste-type thread sealant or Loctite™ 5452 thread sealant is recommended for all NPT Fittings. Do not over tighten NPT Fittings or they may crack. Do not use thread seal tape on flare-end JIC 37-degree Fittings or ORB O-Ring Fittings.**
- **Always use clean equipment.** If you use a dirty bucket or funnel to transfer the Hydraulic Fluid into the Hydraulic Fluid Reservoir, the contaminants will be introduced into the Fluid. When using cleaning rags, use a lint-free rag.
- **Proper storage.** Keep the Hydraulic Fluid sealed in its container until ready for use. Store the Fluid in a clean, dry, and cool area.
- **Cover the Hoses and Fittings.** Before installation, do not leave the ends of the Fittings exposed; the same applies to Hydraulic Hoses. Generally, keep the Hydraulic Hoses and Fittings capped and in a clean area until ready for use.
- **Filter the new Hydraulic Fluid.** Just because it is new does not necessarily mean it is *clean*. Use an offline filtration cart or kidney loop system to make sure the Hydraulic Fluid is clean before being transferred into the Reservoir (even using a heavy-duty nylon mesh screen is better than trusting what is left at the bottom of the barrel).
- **Avoid mixing different types of Hydraulic Fluid.** If Hydraulic Fluid needs to be replaced, make sure to flush the Hydraulic System of the old Hydraulic Fluid before you add the replacement fluid; do not mix the two together.

---

## Hydraulic System Warnings

Before applying power to the Hydraulic System note the following Warnings:

-  **WARNING** Failure to observe these warnings can result in serious personal injury including, in rare cases, death.
-  **WARNING** The Hydraulic hoses and connections **must** be inspected before any attempt to raise a Vehicle is made.
-  **WARNING** Verify all Hydraulic Hose connections and fittings, including unused auxiliary port plugs on the Power Unit, the Flow Divider, the Cylinders and anywhere else in the Hydraulic System are tightened.
-  **WARNING** The Power Unit is a Hydraulic Pump capable of developing pressures in excess of 5,000 psi (345 BAR). A pressure relief valve is used to set the pressure at the desired level. Tampering with, adjusting, modifying, or removing the relief valve is extremely dangerous and is not permitted. Only trained Hydraulics technicians should adjust the relief valve, using calibrated hydraulic pressure gauges to ensure the proper pressure setting is achieved.
-  **WARNING** Changes to the output pressure may render the power unit incompatible with pressure limitations of other components in the hydraulic circuit. This may cause catastrophic failure of those components, and could result in property damage, serious personal injury, or death.
-  **WARNING** The Hydraulic System may contain high pressure which, if suddenly released, can cause severe injury or death.
-  **WARNING** Do **not** attempt to connect or disconnect Hydraulic Hoses while the equipment is loaded or while a Vehicle is on the Lift, or the Hydraulic System is under pressure.
-  **WARNING** Keep bare hands away from Hydraulic Fluid; always wear gloves when handling Hydraulic Fluid, Cylinders or Hydraulic Hoses.
-  **WARNING** When handling Hydraulic Fluid, always observe the safety instructions from the manufacturer.
-  **WARNING** **Always** promptly clean any Hydraulic Fluid spills. If a leak is the source of the spill, lockout the Lift to prevent use until the Hydraulic System is repaired.

---

## About Thread Sealants

We recommend using a Liquid Thread Sealant (like Loctite™ 5452 or similar PTFE Thread Sealant) to seal the Hydraulic components on your Lift.

Liquid Thread Sealant lubricates and fills the gaps between the Fitting threads and leaves no particles that could contaminate the Hydraulic Fluid. Other types of sealants (like Teflon Tape) can shred during installation or maintenance and eventually enters the Hydraulic System.

Thread Sealant can be used with most Hydraulic Fittings, although you only need it for Hydraulic Fittings with NPT connectors.

Apply the thread sealant when the ambient temperature is between +46.5°F to +70°F (+8°C to 21°C).

### To apply Thread Sealant:

1. Make sure the Fittings and connectors you are going to use are clean and dry.

If you are adding Thread Sealant to a Fitting or connector that has already been used with a different Sealant, use a wire brush to thoroughly remove the old Sealant before adding more.

2. Apply a small amount of Thread Sealant to the first four threads of the Fitting.

 **WARNING** Make sure to wear the proper protective equipment when using Thread Sealant.

You only need a small amount because the Sealant will spread to the other threads as the Fitting is tightened into place.

If you put too much, the excess liquid will be pushed out when the Fitting is tightened; use a rag to wipe the excess.

3. Tighten the Fitting into the connector; do **not** over tighten the Fitting.
4. Allow the manufacturer-recommended curing time before pressurizing the system.

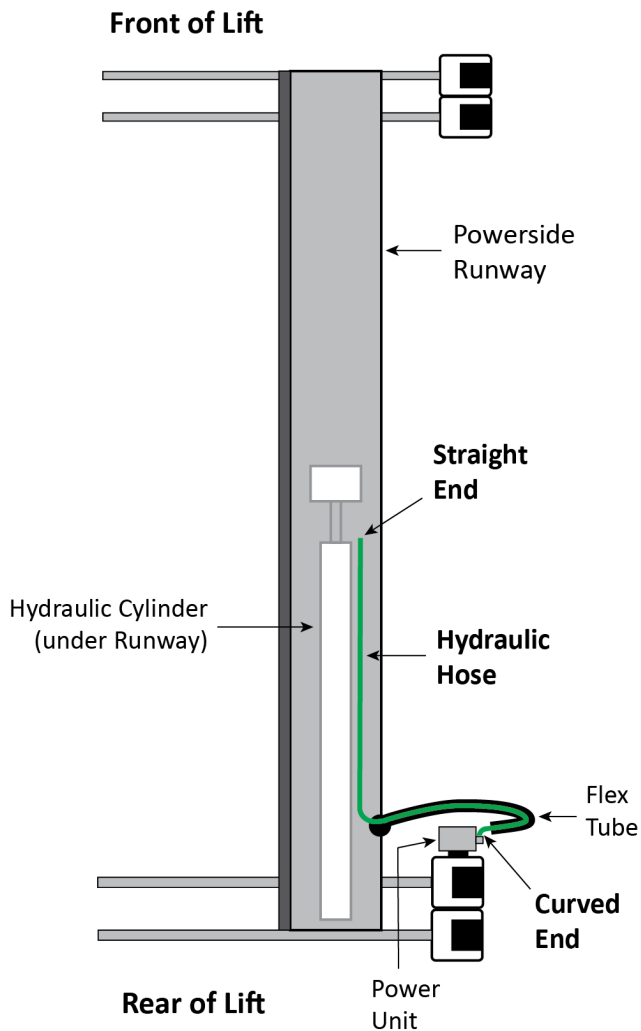
## Installing the Hydraulic Hoses

The Hydraulic Hose moves Hydraulic Fluid from the Power Unit to the Hydraulic Cylinder, which raises the Runways. Your Lift comes with two Hydraulic Hoses: one **longer** (Upper Platform), and one **shorter** (Lower Platform).

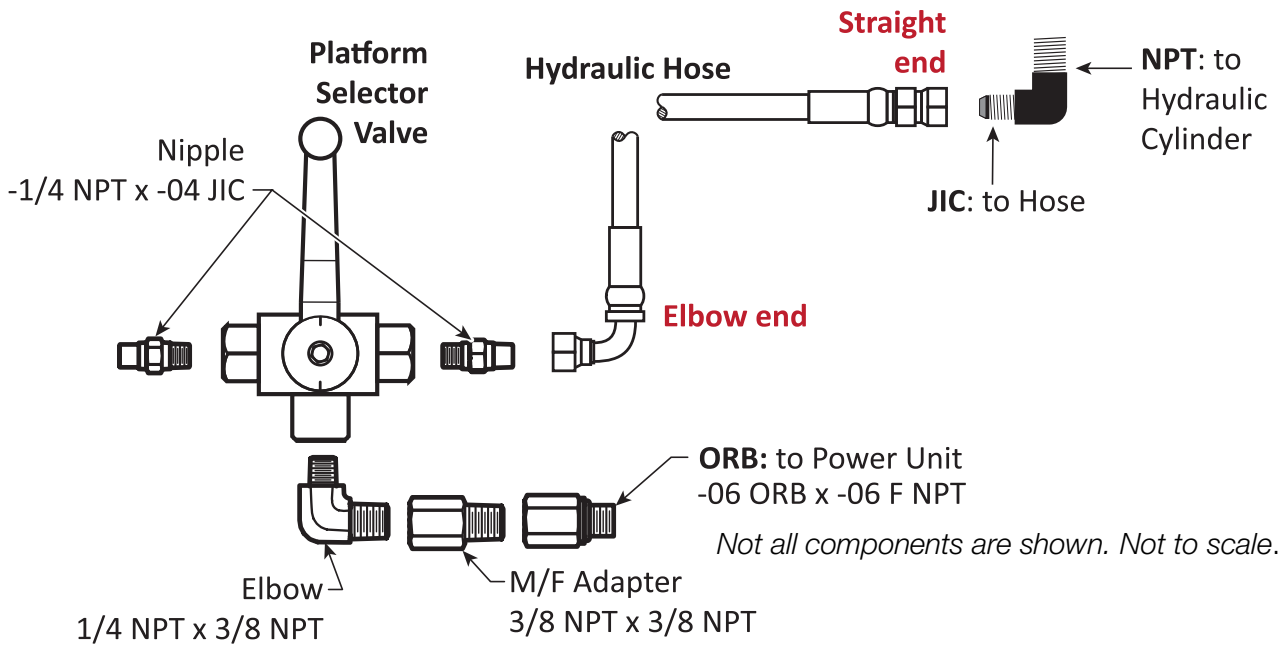
To install the Hydraulic Hoses, you will need:

- **The Hydraulic Hose.** The Straight end attaches at the Hydraulic Cylinder and the Curved end attaches to the Platform Selector Valve (on the Power Unit). One Hydraulic Hose per Platform.
- **JIC x NPT Elbow Fittings** (P/N 5550106). The JIC end attaches to the Straight end of the Hydraulic Hose and the NPT end to the Hydraulic Cylinder. One Fitting per Platform.
- **JIC x NPT Nipple Fittings** (P/N 5550147). The JIC end attaches to the curved end of the Hydraulic Hose and the NPT end to the Platform Selector Valve. One Fitting per Hydraulic Hose.
- **NPT x ORB Nipple Fitting** (P/N 5550093). The NPT end attaches to the Platform Selector Valve and the ORB end attaches to the Power Unit. One Fitting total.

The figure on the following page details the Hydraulic Hose routing on the Lift.



The figure below displays the Hydraulic Hose and its connectors in more detail.





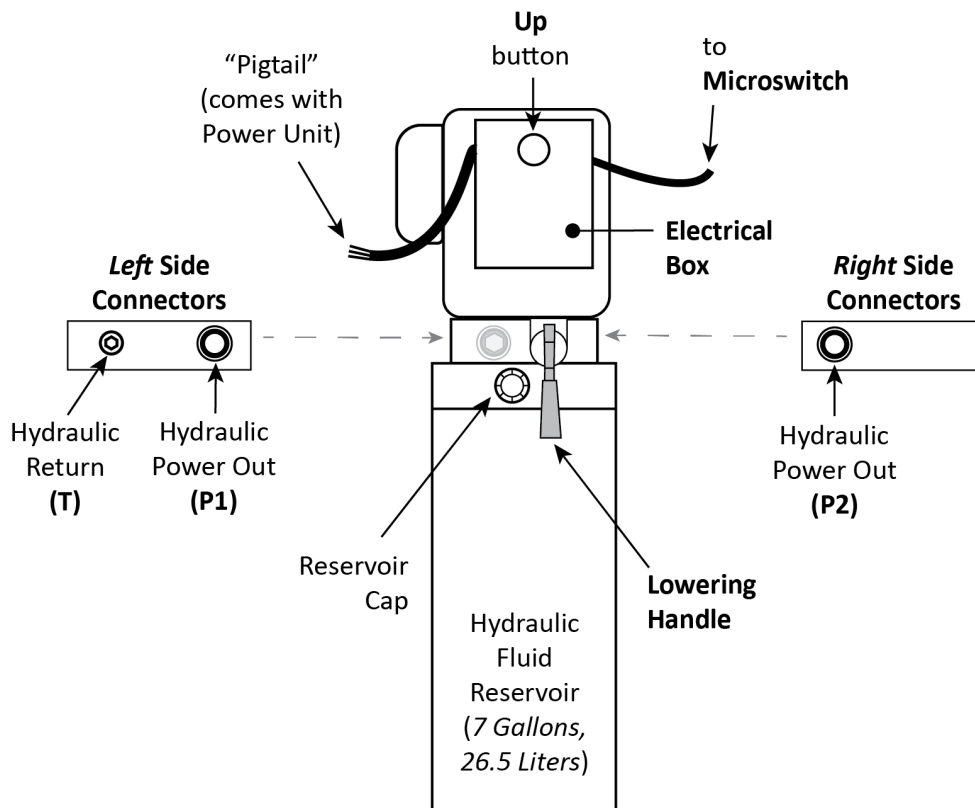
## To install the Hydraulic Hoses:

1. Clean the Hydraulic Components using the information in **Hydraulic Fluid Contamination**.
2. Pick a Platform to begin with, then find the appropriate Hose length and a Hydraulic Elbow Fitting.
3. Take the Curved end of the Hydraulic Hose and, starting at the Hydraulic Cylinder, route the curved end through the Retaining Rings and the Flex Tube opening.  
  
When you are done, the curved end should be coming out of the Flex Tube opening near the Power Unit.
4. On the Hydraulic Cylinder, remove the Shipping Plug from the connector at the Piston Rod end.
5. Attach the NPT connector on the JIC x NPT Elbow Fitting to the connector on the Hydraulic Cylinder.
6. Attach the Straight end of the Hydraulic Hose to the JIC connector of the same Fitting.
7. Leave the Curved End of the Hydraulic Hose coming out of the Flex Tube opening; do not connect it to the Power Unit at this point.
8. Repeat Steps 2 through 7 for the other Platform.

After all connections have been made, make sure all connections are securely tightened.

**Note:** The JIC x NPT Nipple Fittings and NPT x ORB Nipple Fitting will be connected to the Power Unit later in the installation.

The figure below details the configuration for the Power Unit. **P1/P2** represents the Hydraulic Power Output Port; **T1/T2** or **CV1/CV2** commonly represents the Hydraulic Return Port.



Depending on your Power Unit, the connector locations may be different. Use the drawing below to identify your layout and then attach your Hydraulic Hoses and Return Line appropriately.

**P1/P2** most commonly stands for the Hydraulic Power Out, while **T1/T2** commonly represents the Hydraulic Return.

## Installing the Safety Shutoff Bar and Microswitch

The Safety Shutoff Bar and the Microswitch go on the underside of the Aluminum Decks on the Upper Platform; together, they prevent a Vehicle from contacting the underside of the Upper Platform.

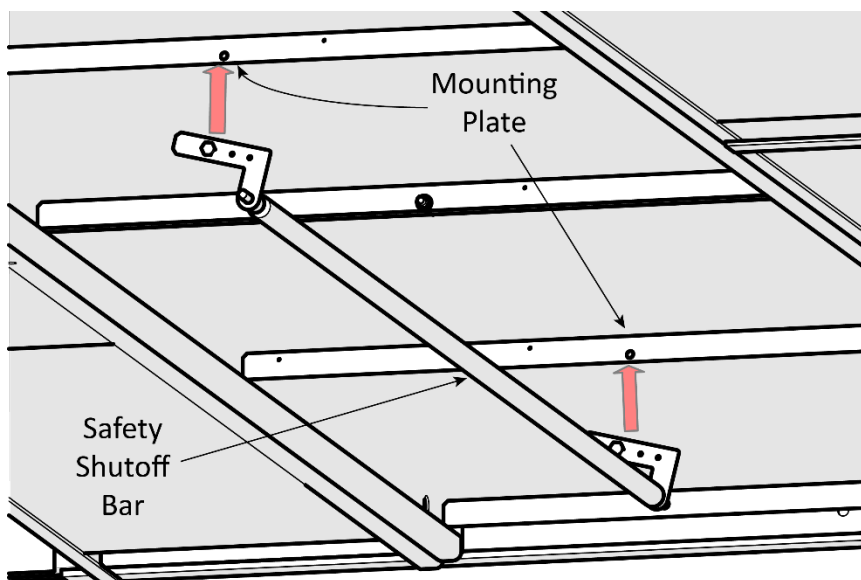
The following steps describes how to **install**, but not make the connections to, the Microswitch for your Lift. An Electrician is **not** needed to install the Microswitch, only to connect the Microswitch to the Power Unit. That will be covered later in the installation process.



*Side View. Not drawn to scale. Not all components shown.*

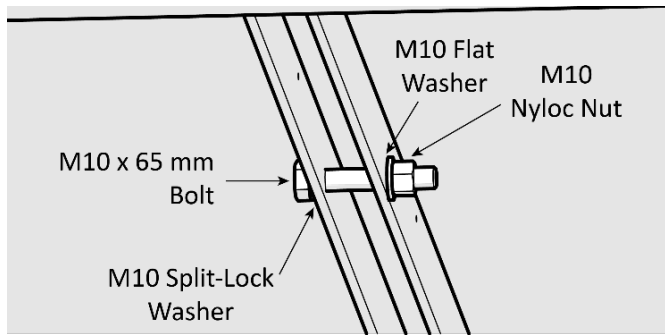
### To install the Safety Shutoff Bar:

1. Locate one short and long Aluminum Deck, then orient the Decks so that the Deck with the opening (used for routing the Microswitch cable to the Power Unit) is next to the Power Post. Refer to [Installing the Runways](#) for more information about Runway placement.
2. Lower the Decks onto the Utility Rails between the Runways.
3. Find the Safety Shutoff Bar, then align the marked holes on the Safety Bar Mounting Bracket with the Mounting Plates underneath the Deck.



4. Attach the Safety Shutoff Bar to the Mounting Plate using a M10 x 38 mm Hex Bolt and a M10 x 1.5 Nylock Nut on each end.
5. Go to the middle of the Runways, underneath where the two Aluminum Decks meet.

- To lock the two Decks together, use a double-threaded Rod and secure it in place with a Washer and Nut on each end.

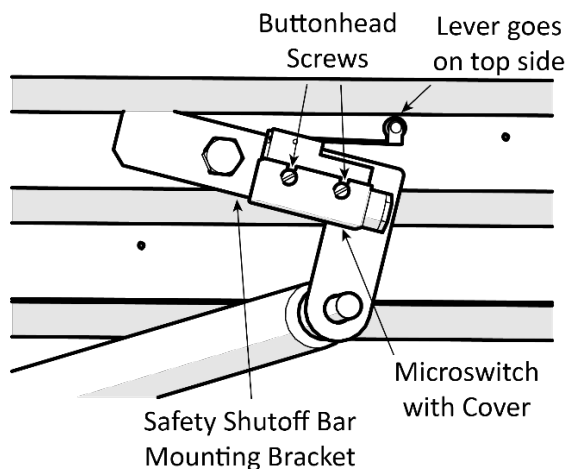


**Tip**

There is no Safety Shutoff Bar to install under the Lower Platform, so you can hold off installing the Aluminum Decks (two shorter Decks) if you want, whatever works best for your installation process.

**To attach the Microswitch:**

- Locate the Microswitch device, add the Microswitch Cover, then go to the Safety Mounting Bracket closest to the Power Unit.
- Orient the Microswitch with the Lever on the top side, facing the right, as shown below.



View underneath Rear of the Lift, looking towards the Front. Not all components shown.

- Align the marked holes on the Mounting Bracket with the guides marked on the Microswitch, then tighten it to the Mounting Bracket using two button head screws.
- Make sure the Microswitch is snug against the Mounting Plate.

The Microswitch will be connected to a cable that is routed to the Power Unit later in the installation.

**Installing the Power Unit**

This section describes how to *install*, but not make the connections to, the Power Unit for your Lift. An Electrician is **not** needed to install the Power Unit; one is required to connect the Power Unit to its power source.

---

The Power Unit **must** be installed on the Power Post; attach it to one of the two Mounting Brackets, whichever is more convenient for the installation.

**Important:** Many people install the Flex Tube Bracket Plate and/or the Zero Angle Bracket at the same time as they install the Power Unit. Refer to **Installing the Flex Tube** and **Installing the Pushbutton Air Valve** for more information to see if this makes sense for your installation.

**⚠ DANGER** Risk of explosion: The Power Unit has internal arcing or parts that may spark and should not be exposed to flammable vapors. Never expose the Power Unit motor to rain or other damp environments. Damage to the motor caused by water is **not** covered by the warranty.

The Hydraulic Fluid reservoir on the Power Unit must be filled with Hydraulic Fluid or automatic transmission fluid before you begin normal operation of the Lift. **When you receive the Lift, the fluid reservoir is empty.** The Power Unit will not work correctly until it is filled with approved Hydraulic Fluid.

Approved fluids are any general-purpose ISO-32, ISO-46, or ISO-68 hydraulic fluid, approved automatic transmission fluids such as Dexron III, Dexron VI, Mercon V, Mercon LV, or any synthetic multi-vehicle automatic transmission fluid.

**⚠ WARNING** Do not run your Power Unit without Hydraulic Fluid; you will damage it.

Even though you are not connecting the Power Unit at this point, you can fill the Hydraulic Fluid reservoir with fluid.

#### **To install the Power Unit:**

1. Find the four supplied Hex Head Bolts, Flat Washers, and Nyloc Nuts.
2. Line up the holes on the Power Unit Back Plate with the four holes in the Mounting Bracket you want to use.

If you are going to install the Flex Tube Bracket Plate and/or the Zero Angle Bracket at the same time as the Power Unit, now is the time to put those into place.



**Tip** The Power Unit is heavy. BendPak recommends having one person hold the Power Unit while another person bolts it into place.

3. Connect the Power Unit to the desired Mounting Brackets on the Power Post.
4. Fill the Hydraulic Reservoir on the Power Unit with approved fluid.

The Hydraulic Reservoir holds approximately 7 gallons (26.5 liters). Use care to keep the fluid clean when filling the reservoir.

Approved fluids are any general-purpose ISO-32, ISO-46, or ISO-68 hydraulic fluid or approved automatic transmission fluids such as Dexron III, Dexron VI, Mercon V, Mercon LV, or any synthetic multi-vehicle automatic transmission fluid.

**Do not connect the Power Unit to a power source at this point.**

## Connecting the Flex Tube Bracket Plate and Angle Plate

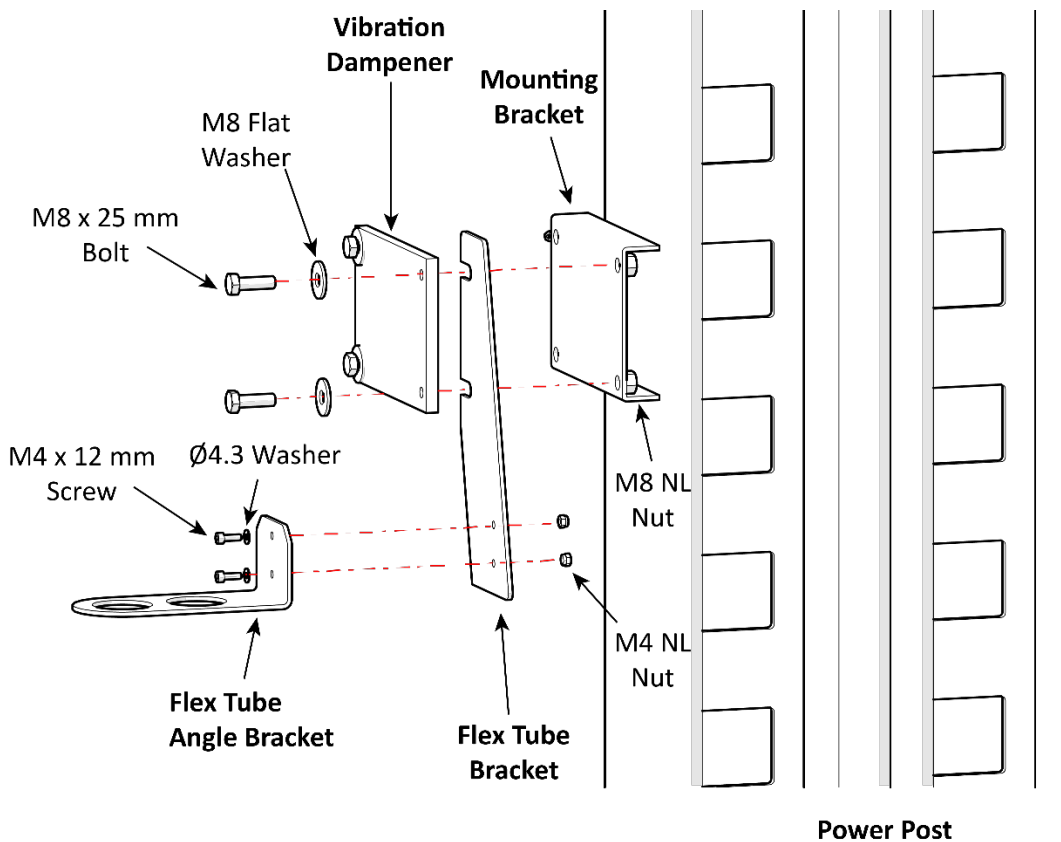
To connect the Flex Tubes to the Power Unit, you first need to connect the Flex Tube Bracket Plate and the Flex Tube Angle Plate. That procedure is described here.

### To connect the Flex Tube Bracket and Angle Bracket:

1. Find the Flex Tube Bracket and the Flex Tube Angle Bracket.
2. Install the Flex Tube Bracket Plate.

**Note:** It is common to install the Flex Tube Bracket between the Mounting Bracket and the Back Plate. This allows the Zero Angle Bracket (which holds the Pushbutton Air Valve and is described in the next section) to be installed between the Back Plate and the retaining Nut. This configuration is common, but not required.

The following drawing describes how to position the Flex Tube Bracket between the Mounting Bracket and Back Plate.



*Side view. Power Unit not shown.*

3. Connect the Flex Tube Angle Plate to the Flex Tube Bracket so that the holes for the Flex Tubes are best positioned for connecting the Return Line, the Air Line, and the Hydraulic Hose.

## Installing the Flex Tubes

Each Platform has its own Flex Tube; the Flex Tube is a flexible, black tube that attaches to a hole on the Powerside Runway on one end and to the bottom of the Flex Tube Bracket.

Your Lift comes with two Flex Tube kits, one longer (Upper Platform) and one shorter (Lower Platform). You must cut the tubes to length as described below.

The Flex Tube consolidates and protects four different cables that come out from under the Powerside Runway. These cables are:

- **Return Line.** A thin, black tube that returns extra Hydraulic Fluid to the Hydraulic Fluid Reservoir.
- **Air Line.** Also, a thin, black tube, the Air Line provides air pressure that is used to disengage the Safety Locks so that the Runways can be lowered.
- **Hydraulic Hose.** A heavy, black cable that routes Hydraulic Fluid from the Power Unit to the Hydraulic Cylinder.
- **Microswitch Cable** (Upper Platform only). A thin cable that connects to a Microswitch underneath the Upper Platform.

### To install the Flex Tubes to the Powerside Runways:

1. Measure, mark, then cut the flex tubes to the correct length. You will need two tubes. One tube for the Lower Platform 55.1 in. / 1400 mm long and one tube for the upper Platform 96 in. / 2440 mm long. All cuts  $\pm 1$  in. / 25 mm)
2. Pick the top Platform to begin with. Unscrew the Plastic Nut from one end of a tube connector and install in the Top Powerside Platform opening near the power unit.

**⚠ CAUTION** Do not use the Shorter Flex Tube for the Upper Platform; it will not be long enough to reach the Power Unit when the Platform is raised.

3. Install one end of the **long** Flex Tube into the connector and let the other end hang loosely.
4. Install the other end of the Long Flex Tube into a plastic connector.
5. Install the tube connector into the angle plate. Remove the plastic nut and insert the threads through the hole on the Flex Tube Angle Plate, making sure to orient the Flex Tube as shown in the figure to the right.
6. Screw the Plastic Nut back onto the Threads and tighten.
7. Once in place, push the Hydraulic Hose, Return Line, and Air Line through the Flex Tube.
8. Repeat Steps 1 through 7 for the other Platform using the short Flex Tube.

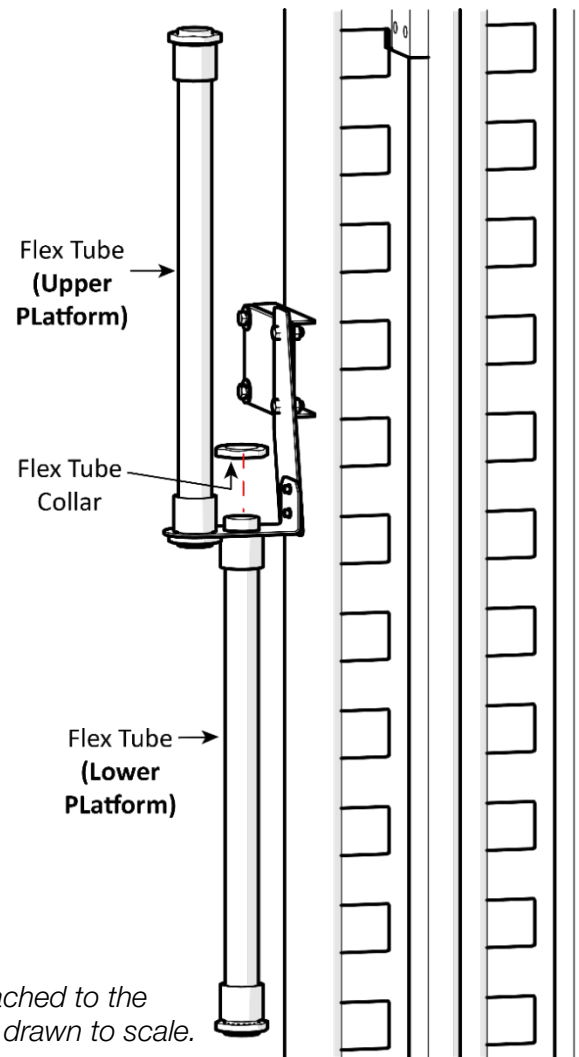


Figure details Flex Tubes attached to the Power Post Angle Plate. Not drawn to scale.

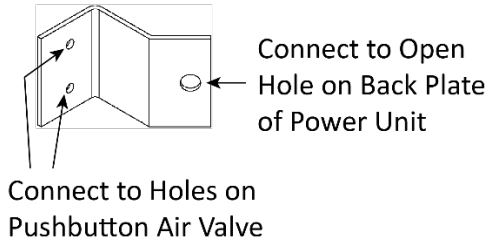
## Installing the Pushbutton Air Valve

The Pushbutton Air Valve is used to lower the Runways. It can go on either side of the Power Unit, but we recommend placing it on the side facing away from the Lift to be out of the way.

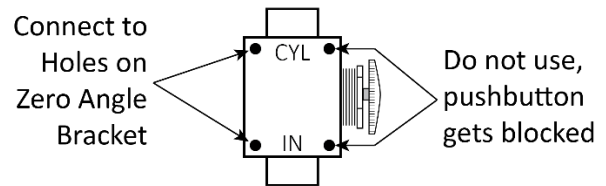
Once the pushbutton is in place, you need to connect it to the Air Line on one end and the customer-supplied air pressure on the other end. **A minimum air pressure of 75 PSI / 3 CFM is required.**

The following drawing shows the Zero Angle Bracket and where it connects.

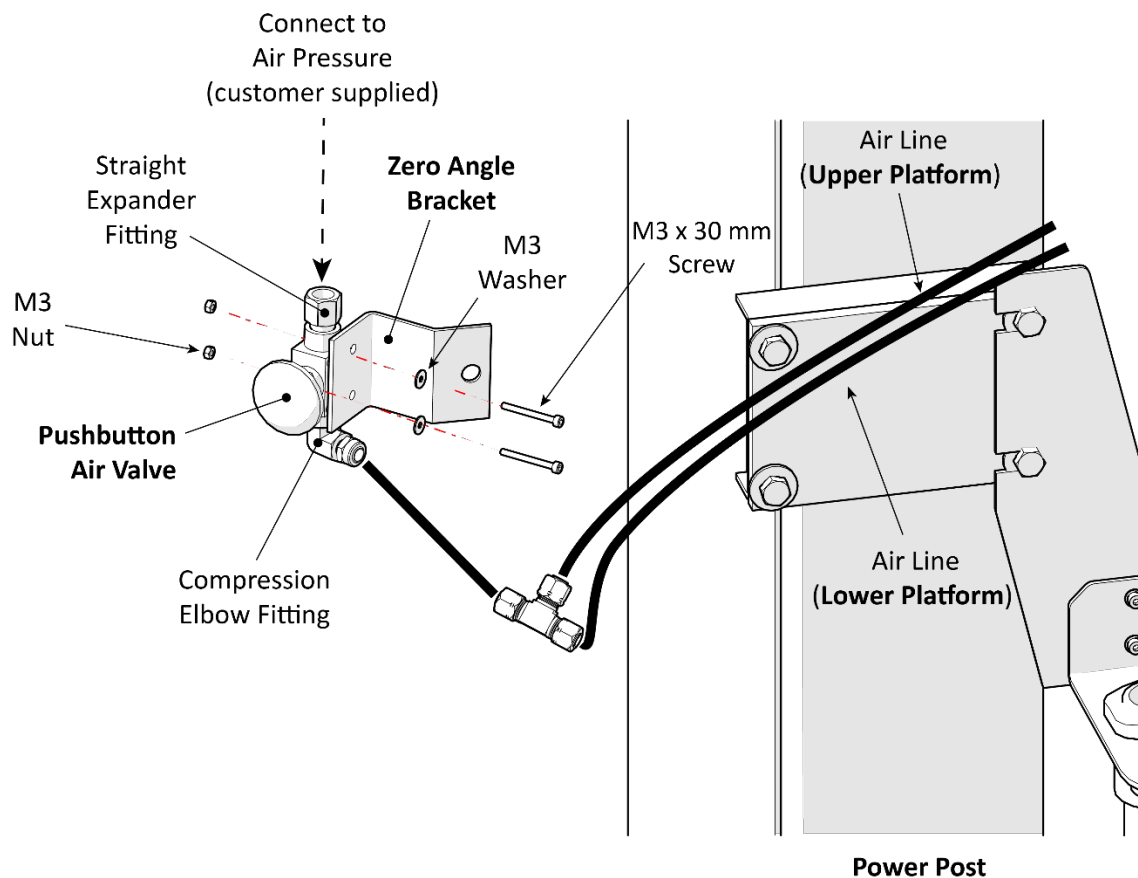
### Zero Angle Bracket



### Pushbutton Air Valve



The following drawing shows the Pushbutton Air Valve and its connections.



*Power Unit not shown. Front view.*

---

The components involved include:

- **Zero Angle Bracket.** Attaches at the Mounting Bracket on the Power Post or to other available holes on the Back Plate of the Power Unit. Holds the Pushbutton Air Valve, so be sure to orient the Zero Angle Bracket so that the Lift operator can easily reach the Pushbutton Air Valve.
- **Pushbutton Air Valve.** Used to lower the Platforms.
- **Tee Compression Fitting** (P/N 5550395). Connects the Air Line coming from each Platform.
- **Compression Elbow Fitting** (P/N 5550087). Connects the Pushbutton Air Valve to the Air Line coming from the Tee Fitting.
- **Straight Fitting** (P/N 5550486). Connects the Pushbutton Air Valve to the customer-supplied air pressure. A minimum air pressure of 75 PSI / 3 CFM is required.

### **To install the Pushbutton Air Valve:**

1. Find the necessary components: the Zero Angle Bracket, Pushbutton Air Valve, Compression Elbow Fitting, Tee Compression Fitting, and Straight Fitting.
2. Connect the Zero Angle Bracket at the desired location (if it has not already been connected).  
It can attach to an available hole on the Back Plate of the Power Unit or to one of the Bolts that connect the Power Unit to the Mounting Bracket on the Power Post. The best location is one that is visible and easily reached by the Lift operator.
3. Connect the Pushbutton Air Valve to the Zero Angle Bracket.
4. Connect the Compression Elbow Fitting and the Straight Fitting to the appropriate locations on the Pushbutton Air Valve.

The Elbow Fitting connects to the opening labelled **CYL**. The Straight Fitting to the opening labelled **IN**.

5. Attach a Tee Compression Fitting to connect the Air Lines coming out of each Flex Tube.  
There is one Air Line per Platform.
6. Cut another Air Line to attach to other end of the Tee Fitting, then connect it to the Compression Fitting on the Elbow Fitting and the customer-supplied air to the Straight Fitting.

**Important:** The Return Line also comes out of the Flex Tube and is the same kind of tubing as the Air Line. **Do not attach the Return Line to the Pushbutton Air Valve by mistake.** Double check to make sure you are attaching the Air Line to the Pushbutton Air Valve.

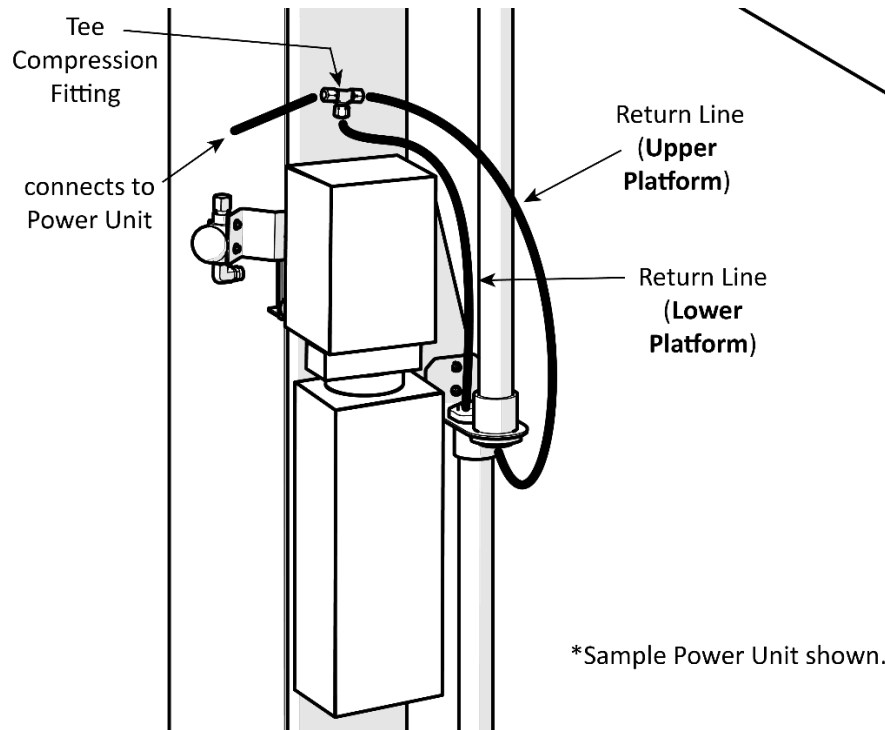
For the customer-supplied air pressure, a minimum of 75 PSI.



## Connecting the Return Line

The Return Line connects to the Hydraulic Return connector on the Power Unit.

On each Platform, one end of the Return Line is already connected to the Hydraulic Cylinder; the other end should be coming out of the Flex Tube.



### To attach the Return Line to the Power Unit:

1. Take each Return Line (one per Platform) and securely connect them to a Tee Compression Fitting.
2. Pick the Hydraulic Return Port on the Power Unit you want to use and remove the Shipping Plug.
3. Attach a Compression Elbow Fitting (P/N 5550089) to the Hydraulic Return Port.

See [Connecting the Power Source](#) to identify the Port locations on your Power Unit.

4. Cut another piece of Tubing to attach to the other end of the Tee Fitting, then connect the other end of the Tubing to the COMP end of the Compression Elbow Fitting already connected to the Hydraulic Return Port.

For information about connection compression fittings, refer to [Working with Compression Fittings and Tubing](#).

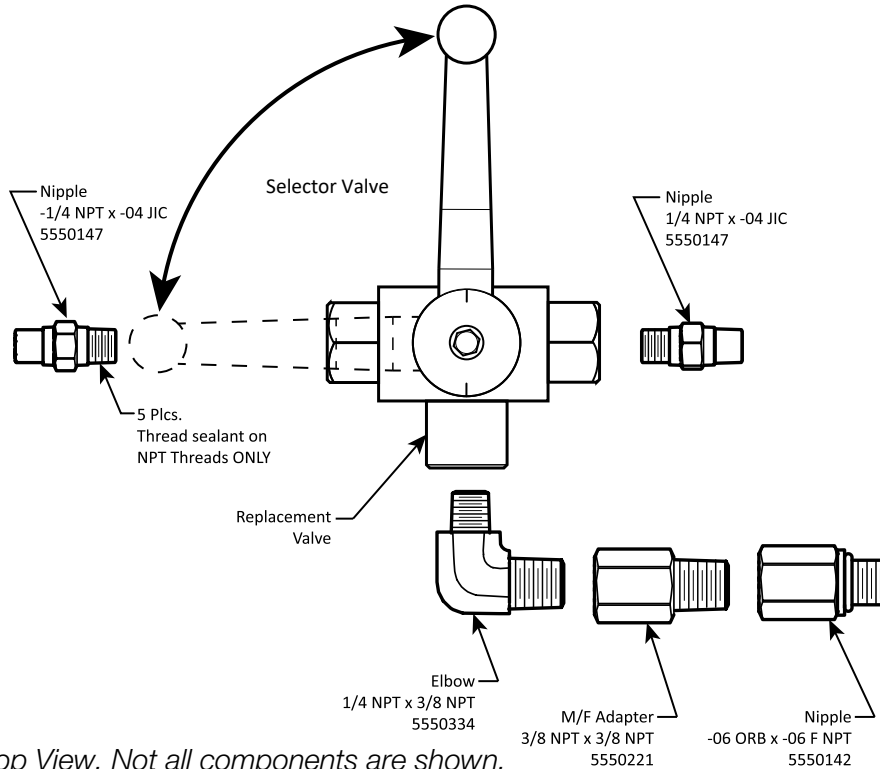
**Important:** The Air Line, at one point, was also coming out of the Flex Tube and it uses the same kind of tubing as the Return Line. The Air Line should have been connected in the previous section, but if it was not, make sure you are attaching the Return Line to the Power Unit and not the Air Line. **Do not attach the Air Line to the Power Unit by mistake.**

## Installing the Platform Selector Valve

The Platform Selector Valve controls which Platform raises or lowers. The Curved end of each Hydraulic Hose connects to the Platform Selector Valve; that procedure is described here.

The Hydraulic Hose for the Upper Platform connects to the **Right** side of the Platform Selector Valve; the Hydraulic Hose for the Lower Platform connects to the **Left** side of the Valve.


The figure below details the connections to make to the Platform Selector Valve.



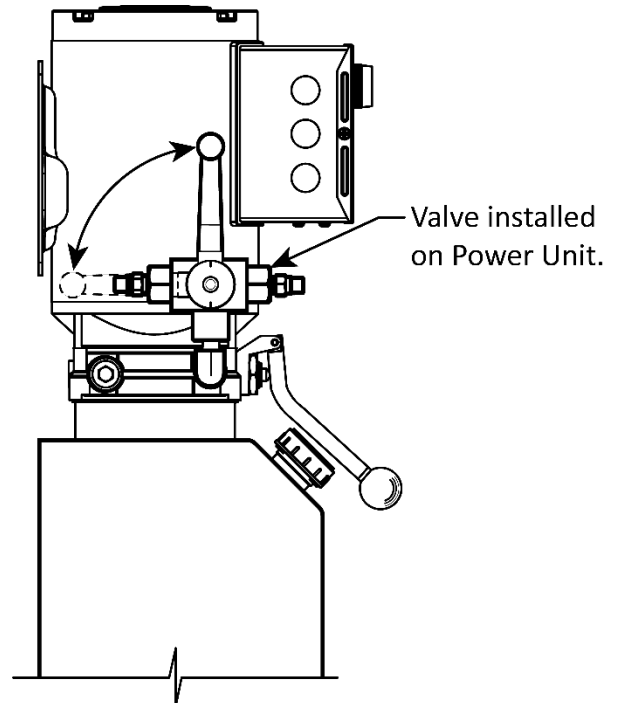
Top View. Not all components are shown.

### To install the Platform Selector Valve and connect the Hydraulic Hoses:

1. Find the necessary components from the Parts Bag: the Platform Selector Valve, two JIC x NPT Nipple Fittings, one NPT Elbow, one M/F 3/8 NPT Adapter and one ORB x NPT Nipple Fitting.
2. Decide which Hydraulic Pressure Output Port on the Power Unit you want to use and remove the Shipping Plug.

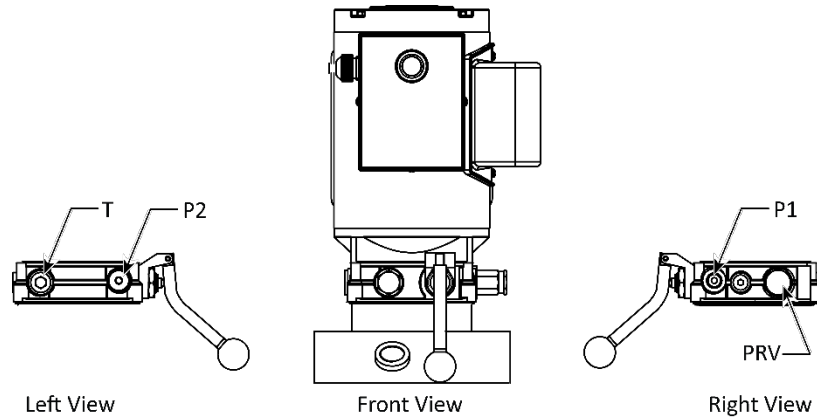
 **Tip** There is a Hydraulic Out Port on either side of the Power Unit; we recommend using the Hydraulic Port facing away from the Lift, to be out of reach from all Lines coming out of the Flex Tubes.

3. Take the ORB x NPT Nipple Fitting and attach the ORB end to the Hydraulic Pressure Out on the Power Unit and attach the Platform Selector Valve to the NPT end.

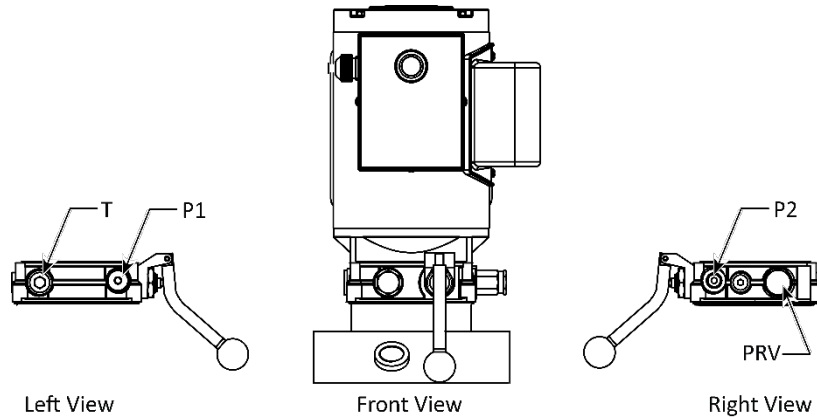


4. Attach the JIC x NPT Nipple Fittings to each end of the Platform Selector Valve.
5. Gather the Hydraulic Hoses coming out from the Flex Tubes and bring them towards the Power Unit.
6. Find the Hydraulic Hose for the Upper Platform and connect it to the **Right** side of the Valve. Double check that you have the correct Hydraulic Hose.
7. Find the Hydraulic Hose for the Lower Platform and connect it to the **Left** side of the Valve.

### 5585312



### 5585503



## Contacting the Electrician

As mentioned previously, there are installation tasks that **require** a licensed Electrician.

**⚠ DANGER** A licensed Electrician must perform all wiring in accordance with national, state, and local electrical codes. If someone who is not a licensed Electrician attempts these tasks, they could damage the Lift or be electrocuted, resulting in severe injury or even death.

The Electrician is required to:

- **Connect facility electrical power to the Power Unit.** Refer to **Connecting the Power Source** for more information.
- **Connect the Microswitch.** Interrupts electrical power to the Lift in the event that a Vehicle's roof on the Lower Platform comes too close to contacting the underside of the Upper Platform. UL cable included.

- 
- **Install a Power Disconnect Switch.** Ensures electrical power can be quickly and completely interrupted to the Lift in the event of an electrical fault, emergency, or when equipment is undergoing service or maintenance. You must install the disconnect within sight and easy reach of the Lift operator. Refer to **Install a Power Disconnect Switch** for more information.
  - **Install a Thermal Disconnect Switch.** Ensures the equipment shuts down in the event of an overload or an overheated motor. Refer to **Install a Thermal Disconnect Switch** for more information. **The motor on the Power Unit delivered with the Lift is not thermally protected.**

The Electrician is responsible for providing:

- an appropriate plug to attach to the Power Unit
- an appropriate Power Cord routed from the power source to the plug on the Power Unit
- a Power Disconnect Switch
- a Thermal Disconnect Switch

**⚠ DANGER** Risk of explosion: This equipment has internal arcing or parts that may spark and should not be exposed to flammable vapors. The Power Unit's motor should not be located in a recessed area or below floor level. Never expose the motor to rain or other damp environments; damage to the motor caused by water is **not** covered by the warranty.

## Connecting the Power Source

The Power Unit must be safely connected to an appropriate power source.

Several different Power Units are available, refer to **Wiring Diagrams** for wiring and specific voltage/current information.

**⚠ DANGER** A licensed Electrician must perform all wiring. Do not perform any maintenance or installation on the Lift without first verifying that main electrical power has been disconnected from the Lift and **cannot** be re-energized until all procedures are complete. If your organization has Lockout/Tagout policies, make sure to implement them after connecting to a power source.

### Important electrical information:

- Improper electrical installation can damage the motor; this is not covered under warranty.
- Use a separate circuit breaker for each Power Unit.
  - 220V 1 Ph., 25 Amps.
  - 220V 3 Ph., 15 Amps.
- Protect each circuit with a time-delay fuse or circuit breaker.
- Use wire of an appropriate gauge for the electrical current and length of run.

### To connect the Lift to a power source:

1. Have a certified, licensed Electrician remove the pigtail and connect an appropriate plug to the wiring, coming out of the Power Unit (called the "Pigtail" in the drawings above).

The plug is **not** supplied with the Lift.

2. Connect the power source cable to the plug you just connected.

Refer to **Wiring Diagrams** for proper wiring information.

The power source cable is **not** supplied with the Lift.

3. Wire the Microswitch(es) to the incoming power source.

Refer to [Wiring Diagrams](#) for proper wiring information.

4. Double check to verify the Hydraulic Fluid Reservoir has an adequate supply of fluid.

**⚠ WARNING** Do not run the Lift without an adequate supply of Hydraulic Fluid; you will damage the Power Unit.

## Installing a Power Disconnect Switch

**⚠ WARNING** A main Power Disconnect Switch is **not** provided with this equipment.

A Power Disconnect Switch is a National Electrical Code (NEC) requirement. They are designed to interrupt electrical power in the event of an electrical circuit fault, emergency, or when equipment is undergoing service or maintenance.

The Power Disconnect Switch must be properly rated for the incoming power.

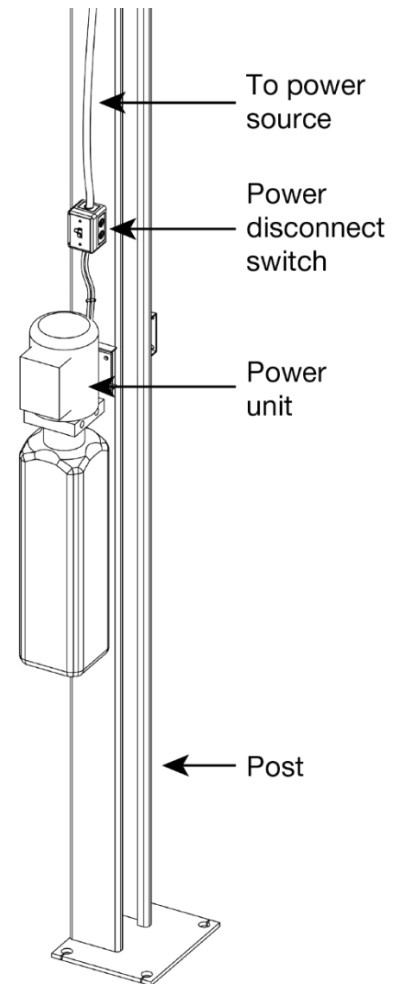
**⚠ DANGER** A licensed Electrician must complete all work in accordance with national, state, and local electrical codes.

Your Power Disconnect Switch must be readily accessible and installed so that it is within easy reach of the Lift operator. It must be clearly and legibly marked to indicate its purpose.

The drawing to the right shows a toggle Power Disconnect Switch between the Lift's power source and its Power Unit. A quick flip of the switch immediately cuts power to the Lift.

Make sure to have a licensed Electrician install the Power Disconnect Switch.

Make sure the electrician selects a **UL-listed** Power Disconnect Switch.



## Installing a Thermal Disconnect Switch

**⚠ WARNING** The Lift's motor does **not** include thermal overload protection.

Connect a Thermal Disconnect or overload device to the motor that will shut down the equipment in the event of an overload or an overheated motor.

**⚠ DANGER** A licensed Electrician must perform all wiring.

High running electrical current that exceeds the motor's full load amps (FLA) rating may result in permanent damage to the motor.

BendPak strongly recommends you **not** exceed the rated duty cycle of the Lift's motor.

## Anchoring the Posts

All four Lift Posts must be anchored. Install one Anchor Bolt in each corner of each Base Plate, 4 per Post, 16 Anchor Bolts total.

Concrete specifications are:

- **Depth:** 6.5 inches thick
- **PSI:** 3,000 PSI, minimum
- **Cured:** 28 days, minimum

Anchor Bolt specifications are:

- **Length:** 6.3 inches
- **Diameter:** .75 inch
- **Anchor torque:** 85 – 95 pound feet

**⚠ WARNING** Your Concrete and Anchor Bolts **must** meet these specifications. Only install your Lift on a Concrete surface. If you install a Lift on asphalt or any other surface, or your Concrete or Anchor Bolts do not meet these specifications, it could lead to product damage, Vehicle damage, personal injury, or even death.

BendPak Lifts are supplied with installation instructions and concrete fasteners meeting the criteria as prescribed by the American National Standard “Automotive Lifts – Safety Requirements for Construction, Testing, and Validation” ANSI/ALI ALCTV.

**⚠ WARNING** Use only the Anchor Bolts that came with your Lift. If you use components from a different source, you void your warranty and compromise the safety of everyone who installs or operates the Lift.

Lift buyers are responsible for conforming to all regional, structural, and seismic anchoring requirements specified by any other agencies and/or codes, such as the Uniform Building Code and/or International Building Code.

### To anchor the Posts:

1. Locate the hardware you will need: four Anchor Bolts, four Nuts, and four washers **per Post**.
2. Using the Base Plates as guides, drill the holes **4 ½ inches deep**—one hole in each corner of the Base Plate, so four holes total per Base Plate.

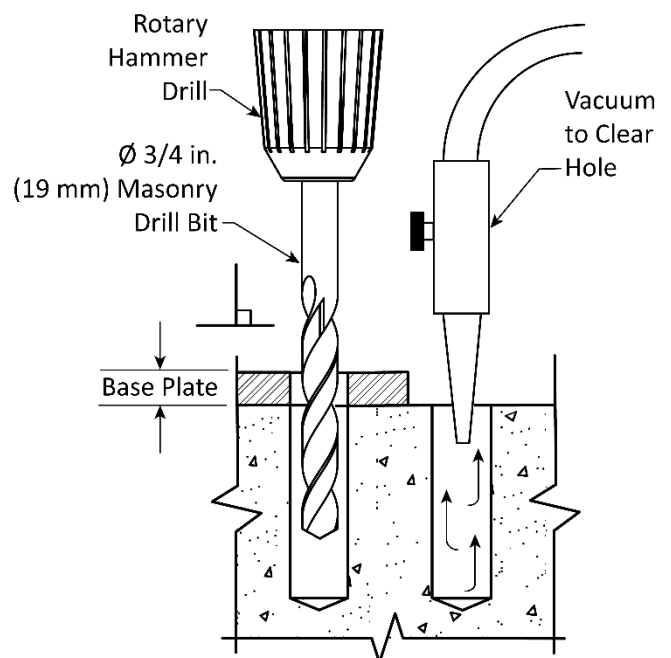
**Important:** **Do not drill all the way through the concrete;** if you punch completely through the slab, you compromise the holding strength of the Anchor Bolt once put into place.

Drill in straight, in the center of the hole; do not let the drill wobble.

Use a masonry drill bit (conforming to ANSI B212.15).

The diameter of the drill bit must be the same as the diameter of the Anchor Bolt. If you are using a ¾ inch diameter Anchor Bolt, for example, use a ¾ inch diameter drill bit.

3. Vacuum each hole clean.



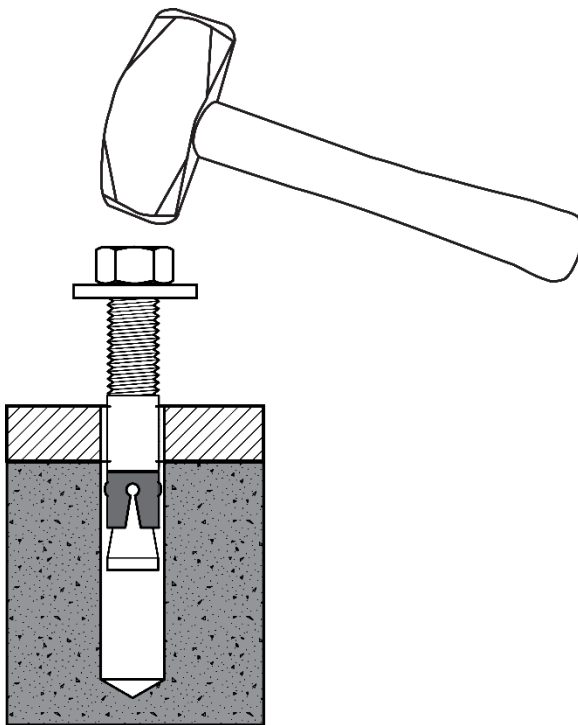
**Important:** The holding strength of an Anchor Bolt is partially based on the how cleanly the Expansion Sleeve presses against the Concrete. If the hole is dirty, the Expansion Sleeve does not press as cleanly, which means less holding strength. If the hole is too wide, the Expansion Sleeve does not press against the Concrete with as much force, again resulting in less holding strength.

BendPak recommends using a vacuum to clean the hole. You can also use a wire brush, hand pump, or compressed air; just **make sure to thoroughly clean each hole**.

Do **not** ream the hole. Do **not** make the hole any wider than the drill bit made it.

4. Make sure the Washer and Nut are in place, then insert the Anchor Bolt into the hole.
5. Hammer or mallet the Anchor Bolt the rest of the way down into the hole. Stop when the Washer is snug against the Base Plate. The Expansion Sleeve of the Anchor Bolt may prevent the Anchor Bolt from passing through the hole in the Base Plate; this is normal. Use a hammer or mallet to get the Expansion Sleeve through the Base Plate and into the hole.

Even using a hammer or mallet, the Anchor Bolt should only go into the hole part of the way; this is normal. If the Anchor Bolt drops all the way in with little or no resistance, the hole is too large



6. Plumb each Post; install any needed Shims.

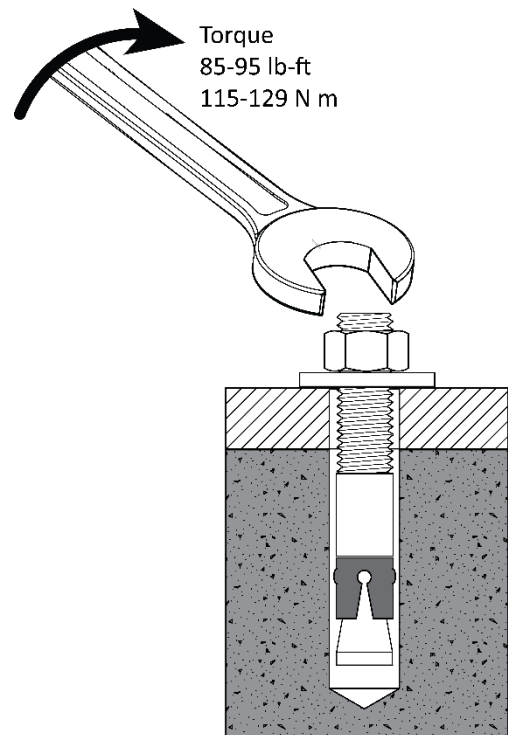
Do not shim a Post more than half an inch using the provided Shims. A maximum of 2 inches is possible by ordering optional Shim Plates. Contact BendPak at **(800) 253-2363**, option 7 then 5 to order. Please have the model and serial number of your Lift available.

Take your time while plumbing and shimming the Posts; **it is important to make the Lift as level as possible**.

7. Wrench each Nut **clockwise** to the recommended installation torque, 85 – 95 pound feet, using a Torque Wrench.

**Important: Do not use an impact wrench to torque the Anchor Bolts.**

Wrenching the Nut forces the Wedge up, forcing out the Expansion Sleeve and pressing it tightly against the Concrete.



---

## Final Leveling

The following procedure describes how to fine tune how level your Lift is. The goal is that the four Safety Locks on each Platform engage at the same time.

### To do final leveling on the Lift:

1. Make sure the Platform Selector Valve is turned on for the Upper Platform.
2. Raise the Upper Platform to the first Lock position (the primary Safety Locks, not the Slack Safety Locks).
3. Use a transit level or other leveling mechanism to evaluate how level the Posts and Runways are to each other.
4. If you need to adjust a Runway, use the Top Nut and Stop Nut on the Top Cap of each Post to adjust the Ladder in that Post (which impacts the levelness of the Runway and when the Safety Locks engage).
5. Raise the Platform to about mid height, listening as the Safety Locks engage.

If the Safety Locks are engaging at the same time, no further adjustments are necessary.

If the Safety Locks are *not* engaging at the same time, check the leveling, make necessary adjustments, and then raise the Lift again and listen as the Safety Locks engage.

6. Leave the Upper Platform engaged on a Safety Lock, then switch the Platform Selector Valve on for the Lower Platform.
7. Repeat Steps 1 through 5 for the Lower Platform.

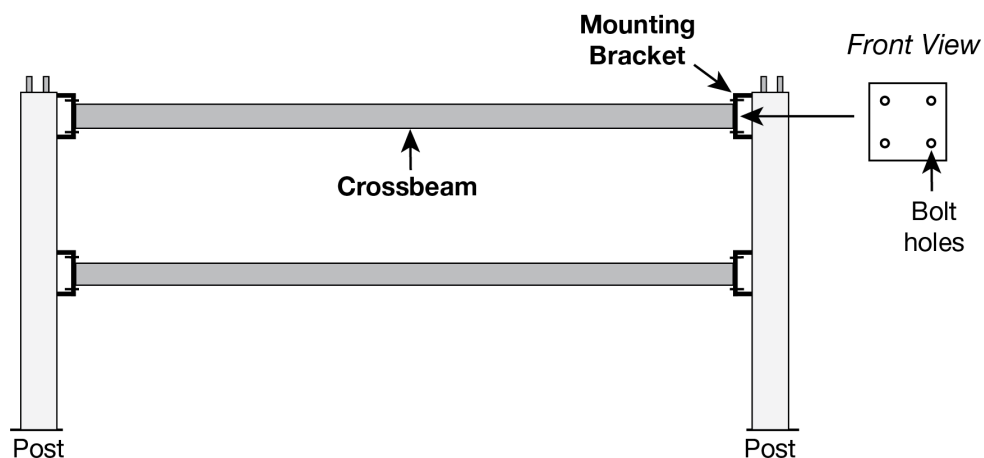
When you are satisfied the Lift is level, firmly secure the Nuts at the top of each Post.

## Installing the Crossbeams

To prevent from interfering with some of the other procedures in your Lift setup, installing the Crossbeams is one of the last steps to complete before you begin operating your Lift; that procedure is described here.

Your Lift comes with four Crossbeams: two Crossbeams connect the Offside Posts and the other two connect the Powerside Posts. The Crossbeams increase the structural stability to your Lift.

The figure below details the orientation of the Crossbeams.



*Side view. Runways not shown. Not drawn to scale. Not all components shown.*



### To install the Crossbeams:

1. Pick a Crossbeam to start with, then align the Crossbeam holes on either end to the Mounting Brackets on the Post.

**⚠ WARNING** The Crossbeams are heavy; you will need at least one person hold a Crossbeam while another person bolts it into place.

2. Connect the Crossbeam on both ends to the Mounting Brackets using a Bolt, Washer, and Nut for each hole, then tighten until secure.
3. Repeat Steps 2 and 3 for the remaining Crossbeams.

## Installing Accessories

The accessories available for your Lift include

- **Runway Covers.** Installed underneath the Runways. Covers the Cables and Hydraulic Cylinder.
- **Tire Stops.** Installed at the Front of the Lift. Holds the front Tires of the Vehicle in position.
- **Drive-up Ramps.** Installed at the Rear of the Lift. Allows Vehicles to be easily driven onto the Runways.
- **Anti-Slip Tape.** This Tape is designed to increase the friction between the metal surface of the Lift and Vehicles or personnel on the Lift.

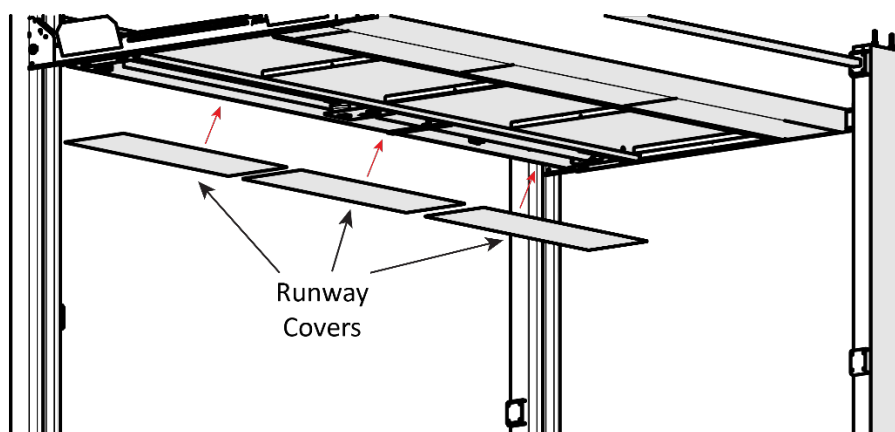
### Runway Covers

Each Runway has three Covers that go on the underside. They cover the Lifting Cables and Hydraulic Cylinder on the Powerside Runways; there is nothing underneath the Offside Runways.

**Note:** The longer Runway Covers go with the Upper Platform, and the shorter Covers with the Lower Platform.

### To install the Runway Covers:

1. Locate the Runway Covers, then push the Covers up into place so that they sit on the inside Rails of the Powerside Runway.



*Side view. Runway Covers are pushed up into place under the Runway.*

2. Adjust the Covers until the Lifting Cables and the Hydraulic Cylinder are covered.
3. Repeat Steps 1 and 2 for the remaining Runways.

## Tire Stops

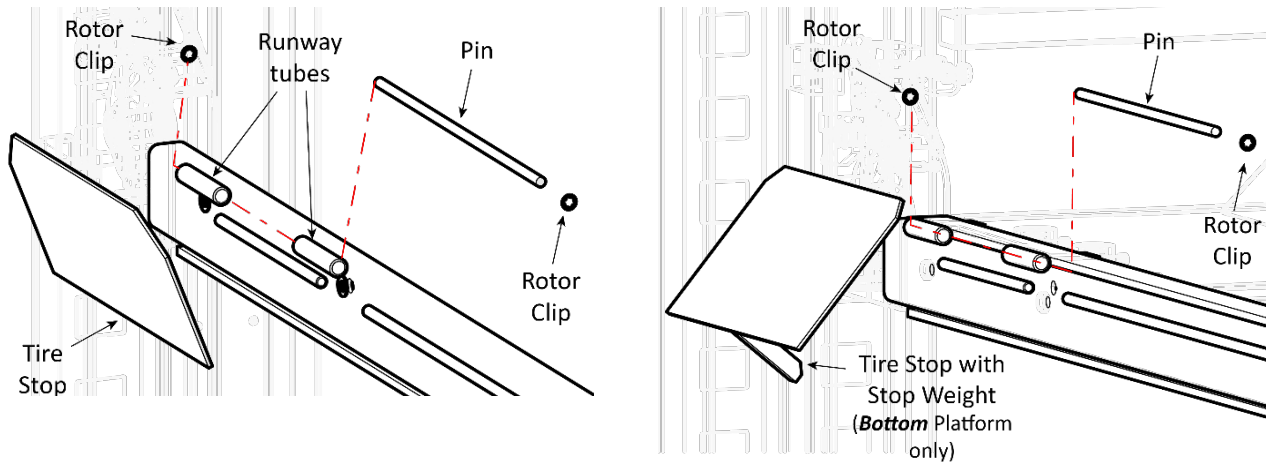
Each Platform has two Tire Stops that go at the Front of the Lift. They prevent the Tires of your Vehicle from going too forward.

### To install the Tire Stops:

1. Locate the two Tire Stops, Pins, and Rotor Clips needed.
2. Put a Tire Stop in position in between the Runway tubes, then put the Pin through the Tire Stop and Runway tubes, and secure the Tire Stop in place with a Rotor Clip on each end of the Pin.

The following graphics show how to install the Tire Stops for both Platforms.

Side view. Some components not shown.



3. Repeat Steps 1 and 2 for the remaining three Tire Stops.

**⚠ WARNING** Always check the Vehicle's Rear Tires when you position it in place on the Runways.

## Drive-up Ramps

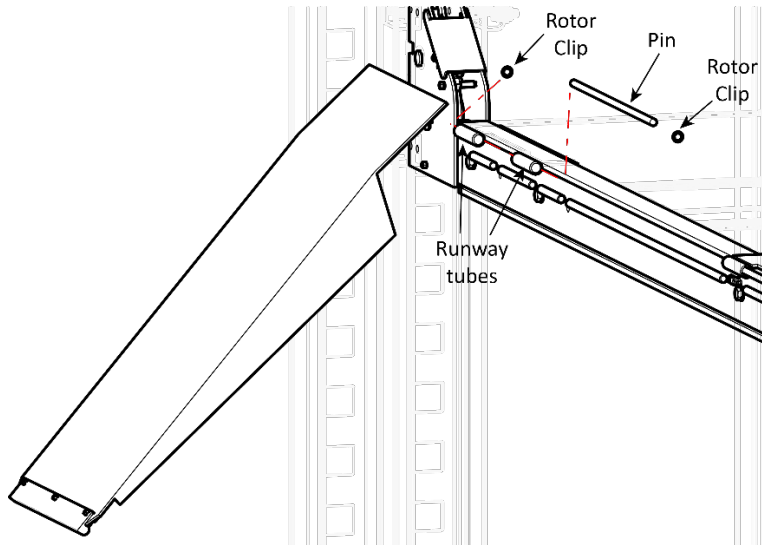
Each Platform has two Drive-up Ramps that go at the Rear of the Runways, allowing for easy drive-up onto the Platforms.

The longer Drive-up Ramps go with the Upper Platform, and the shorter Drive-up Ramps go with the Lower Platform.

**Note:** The Ramps are heavy and awkward, so you may want to consider having two people install them; one to hold the Ramp, the other to put the components into place.

### To install the Drive-up Ramps:

1. Find the required components for the Upper Platform: two Ramps, two Pins, and four Rotor Clips.
2. Put a Drive-up Ramp in position in between the Runway tubes, then put the Pin through Drive-up Ramp and Runway tubes and secure the Drive-up Ramp in place with a Rotor Clip on each end of the Pin; repeat for the other Drive-up Ramp.



## Installing the Anti-Slip Tape

The Anti-Slip Tape (SKU 5930195) is provided in two rolls measuring 6 in. x 24 ft. (152 mm x 7.3m). BendPak suggests cutting the Tape into eight equal lengths 72 in (1,829 mm) long each.

**IMPORTANT!** **Surface preparation is important. If the runway is in poor condition with gouges, holes, or jagged edges the Anti-Slip Tape will not adhere. Lift Runways must be clean, dry, and smooth.**

### To apply the Anti-Slip Tape:

1. Clean the runway. Use a broom or brush to remove loose dirt and debris from the runway.
2. Thoroughly wash, rinse, and dry the runway using a mild solution of soap and clean water to remove any oils, grease, and water-soluble contamination. Dry the runway with a clean cloth and allow to air dry.
3. Cut the Anti-Slip Tape into eight equal pieces. Suggested length is 72 in. (1,829 mm).
4. Verify the Runway is dry and clean. It is critical for maximum adhesion of the Anti-Slip Tape that the runway be dry, free of dirt, oils, and grease.
5. Measure and mark the runways with pencil guide lines to outline the tape installation area on the ramp. Refer to the figure below for a suggested layout of the Anti-Slip Tape.

**IMPORTANT!** Do not install this Tape directly on the edge of a Runway. Stay at least 1 in (25 mm) away from edges. Do not attempt to bend this Tape over an edge.

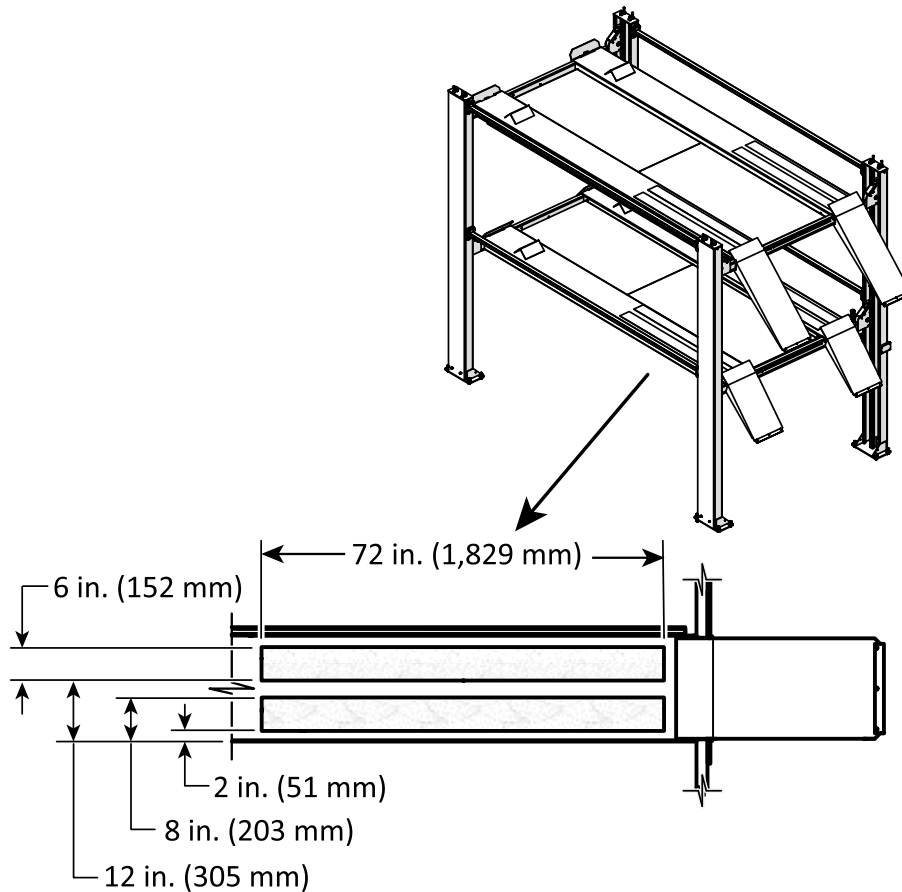
6. Wash your hands. The Anti-Slip Tape's adhesive side is protected by a paper or plastic film. You will remove this film a few inches at a time to apply the Tape to the Runway.

**IMPORTANT!** Handle the tape by its edges. Minimize contact between the adhesive and your hands. The oils from your hands will reduce the adhesive's long-term effectiveness.

**IMPORTANT!** BendPak recommends two people work together to install the Tape. One person removes the backing and applies the Tape to the Runway while the second holds the Tape in place over the guide lines marked on the Runway.

7. Lay one piece of the Anti-Slip Tape on the runway and peel back about 2 inches (50 mm) of the protective film. Apply the adhesive side to the Runway, inside the guide lines you created in step 5.

8. Slowly remove the film as you press the exposed Tape's adhesive side into the Runway. Work slowly and apply 2 to 5 inches at a time to stay within your guide lines.
9. After applying the Tape use a heavy rubber roller to press the Tape into the Runway and to ensure firm contact with the adhesive.
10. Apply the Anti-Slip Tape to the remaining area of the Lift's runways similar to the figure below.



## Lubricating the Lift

There are several lubrication points on each Platform.

**All Sheaves bearings and Sheave Pins are to be lubricated liberally with red lithium grease when assembled.**

### To lubricate the Lift:

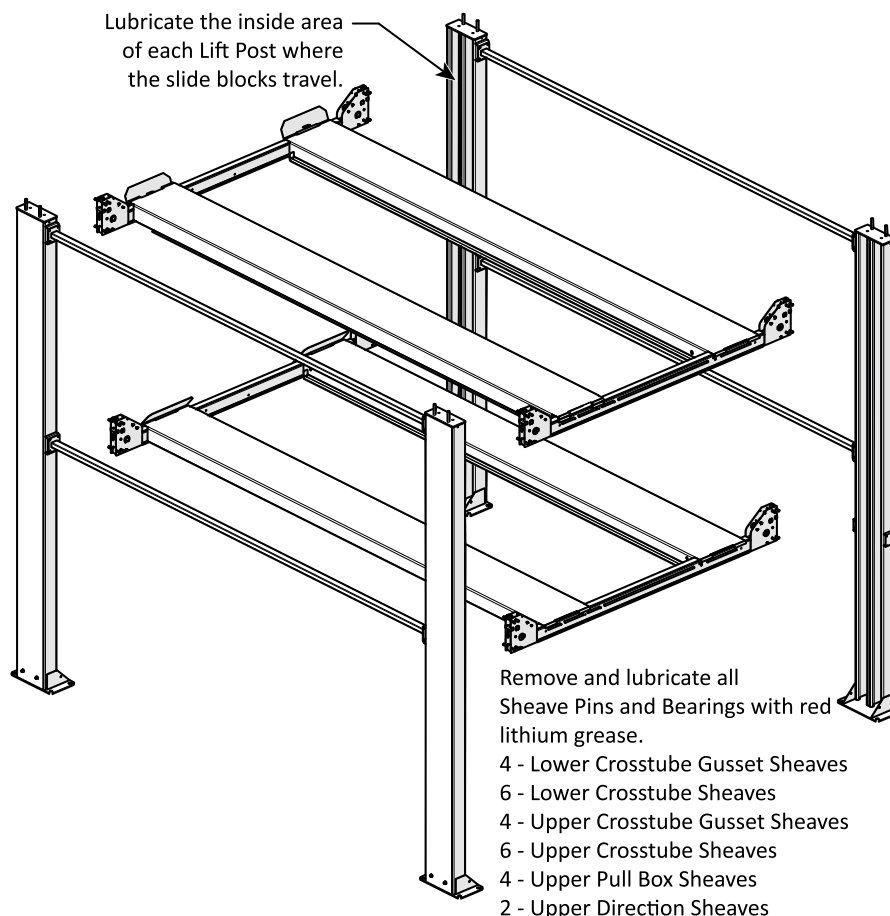
1. Raise the Upper Platform to its maximum and then lower it onto the nearest Safety Lock.
2. Raise the Lower Platform to a comfortable height to work under, then lower onto the nearest Safety Lock.
3. Hold in the Lowering Handle for a few seconds to provide some slack in the Lift Cables.
4. Remove power from the Lift and lockout/tagout to prevent unintended operation.

**⚠ WARNING** Before performing any maintenance on your Lift, verify all four corners of **both** Platforms are resting on their Safety Locks and the power source has been completely disconnected. If your organization has Lockout/Tagout policies, make sure to implement them after connecting to the power source.

5. Remove the Sheave Pin and the Sheaves one at a time.
6. Clean and then lubricate the Sheave Pin and the Sheave Bearing with red lithium grease.
7. Place the Lift Cable(s) back in the Sheave Groove(s), replace the Sheaves then secure the Sheave Pin. Verify all Lift Cables are routed correctly without crossing over adjacent cables.
8. Repeat the process with all remaining Sheaves and Sheave Pins.
9. Remove excess grease with a rag.
10. Using a spray lithium grease, lubricate the outside of all Cable Sheaves in the Crosstubes.
11. After lubricating all Sheaves and Pins on the Lower Platform apply power to the Lift and raise it off its Safety Locks, then lower the Platform to the ground.
12. Lower the Upper Platform to a comfortable height for the work and rest it on the nearest Safety Lock, then lockout/tagout power to prevent unintended operation.

**⚠ WARNING** Verify all four corners of the Upper Platform are resting on their Safety Locks before lubricating the Lift.


13. Perform steps 5 through 10 on the Upper Platform Sheaves and Sheave Pins.
14. Verify all Lift Cables are routed correctly without crossing over adjacent cables.
15. Lubricate the inside of all four Lift Posts (where the Crosstubes travel) with a white lithium grease.
16. Raise and lower both platforms to aid in distributing the lubrication.
17. Clean and remove any excess lubricant from around the Lift and on the Lift surfaces.



---

## Bleeding the Hydraulic Cylinder

The Hydraulic Cylinders on the Lift are self-bleeding, which means that in most cases any air in the system can be removed by raising and lowering each Platform a few times; “bleeding” the Hydraulic System of the unwanted air.

 **WARNING** Before performing any maintenance on your Lift (for example, bleeding the Hydraulic Cylinder or adding Hydraulic Fluid), make sure both Platforms are fully lowered (the Lower Platform on ground level and the Upper Platform fully resting on the Stop Blocks) and the power source has been completely disconnected. If your organization has Lockout/Tagout policies, make sure to implement them after connecting to the power source.

Symptoms of air in the Hydraulic System include Runways moving erratically and/or making odd noises. These could be caused by other situations; refer to [Troubleshooting](#) for more information.

### To bleed the Hydraulic System:

1. Raise and lower the Runways up to six times; **pause for at least one minute between each cycle**; the Lift’s motor cannot run continuously; it is designed for regular use, but not continuous use.
2. Watch the Runways as you raise and lower them, one Platform at a time; when the Lift stops moving erratically or stops squeaking, you can stop the bleeding process.
3. Check the Hydraulic Fluid reservoir on the Power Unit; bleeding the Hydraulic System may significantly lower the amount of Hydraulic Fluid in the reservoir.
4. Add additional Hydraulic Fluid if necessary; you can damage your motor by running it without enough Hydraulic Fluid in the reservoir.

If your Lift is still moving erratically or making odd noises after bleeding the Hydraulic System, refer to [Troubleshooting](#) for more information.

---

## Test the Lift

BendPak strongly recommends doing an Operational Test of your Lift with a standard Vehicle on each Platform before starting normal service (a typical Vehicle is not required but is recommended).

During the Operational Test, watch the Lift and its components and check for proper installation and operation. If you run into an issue that does not go away, refer to **Troubleshooting**.

**Note:** Residual air in the Hydraulic Systems can cause the Lift to shake, move erratically, or squeak when you start using it; this is normal. If it happens, do not worry; it will go away as the Hydraulic System is self-bleeding. If it does not go away soon, try bleeding the Cylinder of air. If it still does not go away, refer to **Troubleshooting** for additional information.

### To test your Lift:

1. Before you start using your Lift, make sure to check for people, pets, or objects that might be in the path of the Lift as you raise and lower it.
2. Drive the Vehicle onto the Platform; try to center the Vehicle's Tires in the middle of each Runway. Put the Vehicle into park, put on the parking brake, put it in gear if it is a manual transmission, and chock the wheels.
3. Make sure the Turning Knob on the Platform Selector Valve is turned on for the Platform you want to operate.
4. Press and hold the **Up** button.
5. After the Runways pass three or four Safety Locks (you will hear them), release the **Up** button.
6. Press and hold the pushbutton on the Pushbutton Air Valve, then press and hold the Lowering Handle; the Runways back down onto the Safety Locks they just passed.

**⚠ CAUTION** **Never leave the Lift without making sure that all four Safety Locks have engaged on locking positions at the same height.** If one of the four Safety Locks do not fully engage, the Platform will not be level and you could risk damaging any Vehicles sitting on or underneath the Platforms.

7. Press the **Up** button for a few seconds to disengage the Runways from the Safety Locks, then release the **Up** button.
8. Press and hold the Pushbutton Air Valve **and** the Lowering Handle *at the same time*.
9. When the Platform gets to the ground, release the Lowering Handle.
10. Wait for one minute.

**⚠ CAUTION** Always take a break between cycles. The Power Unit's motor is **not** constant duty; it cannot be run continuously.

11. Repeat the process, this time raising the Platform to a higher Safety Lock.
12. If the Lift is working without shaking, moving erratically, or squeaking, there is no need to repeat the procedure.

If the Lift is shaking, moving erratically, or squeaking (which is normal during the start-up period), repeat the procedure a couple more times, with at least a one-minute break between cycles.

If you continue to have issues, refer to **Troubleshooting** for assistance.

---

## Final Checklist

Make sure these things have been done **before** putting the Lift into service:

- Review the **Installation Checklist** to make sure all steps have been performed.
- Make sure the Power Unit is getting power from the power source.
- Check the Hydraulic Fluid reservoir on the Power Unit; it must be full of approved Hydraulic Fluid or automatic transmission fluid. **You can damage the motor by running it without enough fluid.**
- Check the Hydraulic System for leaks.
- Make sure all four Posts are properly anchored, shimmed, level, and stable.
- Make sure all Lifting Cables are properly seated in their Sheaves.
- Make sure all Safety Locks are operating normally.
- Make sure the backup Slack Safety Locks are **not** engaged.
- Make sure a copy of the *Installation and Operation Manual* is left with the Lift.
- If it has not been done already, perform an Operational Test of the Lift with a typical Vehicle. Refer to **Performing an Operational Test**.



---

# Operation

This section describes how to operate your Lift.

## Safety Considerations

Do the following every time **before** you raise a Vehicle on your Lift:

- **Check the Lift.** Walk all the way around the Lift, checking for any missing, heavily worn, or damaged parts. Do not operate the Lift if you find any issues; instead, take it out of service, then contact your dealer, email [support@bendpak.com](mailto:support@bendpak.com), or call **(800) 253-2363** option 7 then 4.
- **Check the area.** Keep the area around and under the Lift clean and free of obstructions; anything that could cause a problem. Do not forget to check **above** the Lift. If you find an obstruction, move it out of the way. If you find any other issues, resolve them before using the Lift. Do not allow any people or animals within 30 feet of the Lift while it is in motion.
- **Check the operators.** Make sure everyone who is going to operate the Lift has been trained in its use, has read the labels on the unit, and has read the manual. Only the operator at the Controls should be within 10 feet of the Lift when it is in motion.

Do not allow children to operate the Lift. Do not allow anyone under the influence of drugs, alcohol, or medication to operate the Lift. Do not allow any unauthorized personnel to operate the Lift.

- **Check for safety.** Make sure everyone who is going to be walking near the Lift is aware of its presence and takes appropriate safety measures. Only put Vehicles on the Runways.

When raising a Vehicle, do not leave it until the Platform is engaged on a Safety Lock. When lowering the Lift, do not leave it until it is on the ground.

- **Check the vehicle.** Never exceed the Lift's weight rating. Do not allow people inside a Vehicle you are going to raise. Double check you have everything you need out of the Vehicle before raising the Lift. Make sure the Vehicle is not overbalanced on either end or either side.

## Using the Controls

The Controls for the Lift include:

- **Platform Selector Valve.** Turn the Knob to control the Platform you want to move. Installed on the Hydraulic Output Port on the Power Unit, with a Hydraulic Hose on either end.

*To move the Upper Platform,* turn the valve handle **straight up**.

*To move the Lower Platform,* turn the valve handle to the **left**.

*Before you begin to raise or lower one of the Platforms, always double check that you have the valve handle facing the correct direction for the Platform you want to move.*

- **Up button.** Press and hold to raise the Runways. Located near the top of the Power Unit.

*To put Runways onto a Safety Lock position:* Raise the Runways a little above where you want them, then press, and hold the Lowering Handle to back the Runways down onto the Safety Lock position (do not press and hold the Pushbutton Air Valve). When the Runways stop descending, they are engaged on a Safety Lock.

*Before leaving the Lift, verify all four corners of each platform are engaged on their Safety Locks.*

- **Lowering Handle.** Press and hold to lower the Runways. Located in the middle of the Power Unit, the Lowering Handle is long and has a ball at the end.

*To lower raised Runways down to the ground: press and hold* the pushbutton on the Pushbutton Air Valve first, then *press and hold* the Lowering Handle. *Watch the Runways as they descend to verify they are moving evenly. If they are not, stop lowering the Lift and troubleshoot the problem.*

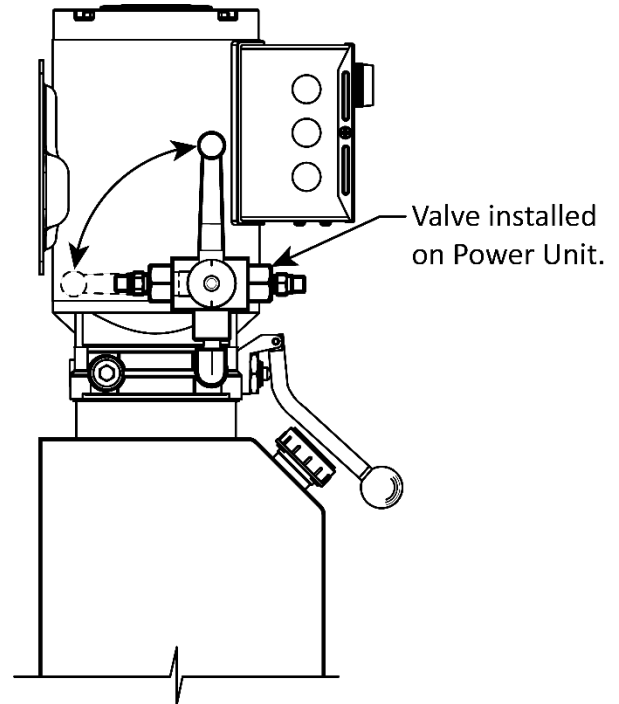
**⚠ WARNING** Always leave your Platforms either engaged on a Safety Lock position or fully lowered to the ground.

- **Pushbutton Air Valve.** Press and hold the pushbutton on the Pushbutton Air Valve as part of the process to lower the Runways. Located on one side or the other of the Power Unit (depending on where it is installed). Pressing and holding the pushbutton on the Pushbutton Air Valve disengages the Safety Locks, which is required to lower the Runways.

## Raising and Lowering Vehicles

Keep the following in mind when operating your Lift:

- **Be safe.** Make sure to check for people, pets, and objects that might be in the path of the Lift as you raise or lower the Platforms. If there is something in the way, stop the Lift and move it out of the way. Watch the Lift carefully as it raises and lowers.



---

**⚠ DANGER** Pay careful attention when you are raising or lowering your Lift. If a person or pet is trapped under the Lift, they could be injured or, in rare cases, killed.

- **Platforms operate independently.** Each Platform on the Lift operates independently; be sure to double check that the handle on the **Platform Selector Valve** is turned in the direction of the Platform you want to move.
- **Get what you need out of the Vehicle before lifting it.** It is frustrating to raise a Vehicle and then realize you left something inside. **Never raise your Lift with people in the Vehicle.**
- **Make sure the Vehicle is balanced.** If there is extra weight on one end or the other, remove it or balance it before raising the Vehicle.
- **Center the Vehicle's wheels on the Runway.** Centered wheels keep the Vehicle balanced. Do not leave a Vehicle with its Tires on the Aluminum Decks that sit between the Runways.

**To raise a Vehicle on the Upper Platform:**

1. Double check that no one except the Lift operator is within 10 feet of the Lift.
2. Verify both Platforms are fully lowered. If not, move them down onto their Stop Blocks.
3. Drive a Vehicle onto the Runways.

Make sure all four wheels are completely on the Runways, as close to the center of the Runways as possible.

**⚠ CAUTION** The Runways and Drive-up Ramps can be slippery when wet or icy; use care driving your Vehicles onto the Runways.

4. Put the Vehicle into park and engage the parking brake. If your Vehicle has a manual transmission, place the transmission in first gear.
5. Always chock the tires.

**⚠ WARNING** **Chock Wheels** to reduce the risk of property damage, personal injury, or loss of life. **NEVER** park any vehicle on the Lift's runways without placing two suitable **Wheel Chocks** behind each rear tire so that the vehicle cannot roll backward from Lift. Vehicles parked on Lift **MUST** also be placed in Park or First Gear (Manual Transmission) with the Parking Brake fully applied.

6. Walk around the Lift to make sure no obstructions will interfere with the Vehicle being lifted.
7. Position yourself within reach of the Lift controls and clear of all moving parts and pinch points. Verify the Platform Selector Valve handle is turned **straight up** for the Upper Platform.
8. Press the **Up** button on the Power Unit.

**NOTICE** As the Platform raises, you will hear the Safety Locks hitting the locking position in the safety ladders and then passing them by; this is a normal occurrence.

9. When the Platform arrives at the desired height, move the platform **Up** a small amount more, then release the **Up** button and press and hold the Lowering Handle. The Platform will lower onto the most recently passed Safety Lock.

---

**Important:** If one of the four Safety Locks has not engaged? The non-engaged corner of the Lift will continue to lower, while the others stay where they are. This results in a Platform that is not level. Always check to make sure all four Safety Locks are engaged on their locking positions at the same height.

**⚠ WARNING** Always leave the Platform either engaged on the same Safety Locks or fully lowered.

10. With the Platform engaged on its Safety Locks, check around the Lift to make sure that everything looks safe. If you see anything wrong, correct it before anyone gets near or proceeds under the platforms.

### **To raise a Vehicle on the Lower Platform:**

1. Double check that no one except the Lift operator is within 10 feet of the Lift.
2. Before driving a Vehicle onto the Lower Platform, make sure the Upper Platform is engaged on its locking positions.

**⚠ CAUTION** Verify there is enough clearance between the Upper and Lower Platforms for the Vehicle to drive onto the Lower Platform without damaging the Vehicle's roof by contacting the underside of the Upper Platform.

3. Rotate the handle on the Platform Selector Valve all the way to the *left* to control the Lower Platform.
4. Drive the Vehicle onto the Runways.

**⚠ WARNING** The Runways and Drive-up Ramps can be slippery when wet; use care driving your Vehicles onto the Runways.

Make sure all the Vehicle Tires are on the Platform; do not allow a Vehicle to drive or rest its Tires on the Aluminum Decks that sit between the Runways.

5. Put the Vehicle into park and engage the parking brake. If your Vehicle has a manual transmission, place the transmission in first gear and set the parking brake.
6. Chock the Tires.

**⚠ WARNING** Do not raise or lower the Platform until you have confirmed that the Vehicle's Tires have been chocked.

7. Walk around the Lift to make sure no obstructions will interfere with the Vehicle being lifted.
8. Position yourself within reach of the Lift controls and clear of all moving parts and pinch points. Press and hold the **Up** button.

**Important!** Make sure to leave at least 6 inches of overhead clearance between the top of the Vehicle and the Safety Shutoff Bar (on the underside of the Upper Platform). When you are ready to lower your Vehicle, you will first need to **raise** the Lower Platform to disengage the Safety Locks. If there is not enough room, the Vehicle will contact the Safety Shutoff Bar and disable any upward movement and making it difficult to disengage the Safety Locks.


9. When the Lower Platform is just past the desired locking position, release the **Up** button, then press, and hold the Lowering Handle.
10. Once downward movement stops, release the Lowering Handle. Verify that the Lower Platform is on all four Locking positions before driving a Vehicle under it.

---

 **WARNING** Never walk under raised Platforms—always walk around and always stay clear.

**To Lower both Platforms:**


1. Double check that no one except the Lift operator is within 10 feet of the Lift.
2. Position yourself within reach of the Lift controls and clear of all moving parts and pinch points. Check that the Platform Selector Valve is turned all the way to the *left* for the Lower Platform, then press the **Up** button to disengage the Lower Platform from its Safety Locks.  
After a second or two, release the **Up** button.
3. Press and hold the Pushbutton Air Valve **and** the Lowering Handle *at the same time*.  
The Lower Platform descends while the Upper Platform remains in place.

 **CAUTION** Never lower a Platform if there is anyone or anything underneath it. Always double check that the area underneath the Platform you are lowering is completely free of all obstructions.

4. Lower the Lower Platform all the way to the ground, then release the Pushbutton Air Valve and the Lowering Handle.
5. Remove the Tire Chocks.
6. Carefully drive the Vehicle off the Lower Platform.
7. Position yourself within reach of the Lift controls and clear of all moving parts and pinch points. Turn the Knob on the Platform Selector Valve straight up to control the Upper Platform, then press and hold the **Up** button to lift the Platform off its Safety Locks.
8. After a second or two, release the **Up** button.
9. Press and hold the Pushbutton Air Valve **and** the Lowering Handle *at the same time*.  
The Upper Platform will begin to descend.
10. Lower the Upper Platform all the way down until it rests on the Stop Blocks.
11. When the Upper Platform has descended into position on the Stop Blocks, release the Pushbutton Air Valve and the Lowering Handle.
12. Remove the Tire Chocks, then carefully drive the Vehicle off the Platforms.


---

# Maintenance


 **DANGER** Before performing any maintenance on your Lift, make sure it is completely disconnected from power. If your organization has Lockout/Tagout policies, make sure to implement those procedures after connecting to the power source.

## To maintain your Lift:

- **Daily:** Keep the Lift clean. Wipe up any spills, clean any dirt.
- **Daily:** Visually inspect the wire ropes.
- **Daily:** Make a visual inspection of all moving parts and check for damage or excessive wear. Replace any damaged or worn parts before using the Lift.

 **DANGER** Do not use the Lift if the Cables are damaged or extremely worn. If a vehicle is raised when you notice the damage or extreme wear, very carefully lower the vehicle to the ground. When the Lift is on the ground, take it out of service, disconnect it from power, and make arrangements to fix the damage or wear.

- **Daily:** Make sure all Safety Locks are in good operating condition. Do not use your Lift if the Safety Locks are damaged or excessively worn.
- **Monthly:** Check all labels on the Lift. Replace them if they are illegible or missing.
- **Monthly:** Grease all lubrication points on the Lift.
- **Monthly:** Check Hydraulic Fluid levels. Refill if low.
- **Monthly:** Lubricate the wire rope (Cables). Use a wire-rope lubricant such as 90-WT gear oil or ALMASOL® Wire Rope Lubricant.
- **Monthly:** Check Cable connections, Bolts, and Pins for proper mounting and torque.
- **Every two months:** Check all Anchor Bolts to verify they are properly torqued. If they are loose, tighten them.
- **As needed.** Take the Lift out of service and then replace the Cables if there are signs of damage or extreme wear.
- **As needed.** Repair any damaged paint to prevent corrosion.

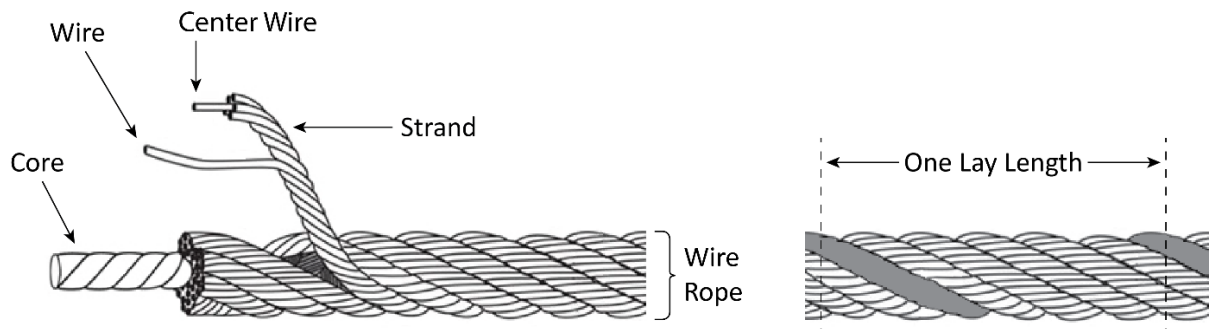
 **WARNING** Do not operate your Lift if you find maintenance issues; instead, take the Lift out of service, then contact your dealer, visit [bendpak.com/support](https://www.bendpak.com/support), email [support@bendpak.com](mailto:support@bendpak.com), or call **(800) 253-2363** option 7 then 4.

---

## Wire Rope Inspection and Maintenance

Your Lift's Cables, which are wire rope, should be inspected regularly:

- Wire rope should be replaced when there are visible signs of damage or extreme wear. *Do not use the Lift if it has damaged or worn Cables; **take it out of service!***



- Wire rope should always be maintained in a well-lubricated condition. Wire rope is only fully protected when each wire strand is lubricated both internally and externally. Excessive wear shortens the life of wire rope. Use a wire-rope lubricant that penetrates to the core of the rope and provides long-term lubrication between each individual strand, such as 90-WT gear oil or ALMASOL® Wire Rope Lubricant. To make sure that the inner layers of the rope remain well lubricated, lubrication should be done at least every three months during normal operation.
- All Sheaves and guide rollers that contact moving wire rope should be given regular visual checks for surface wear and lubricated to make sure they run freely. This should be done every three months during normal operation.

For all sheave axles, use standard red lithium grease. For all Sheaves and/or guide rollers, use 90-WT gear oil or a similar heavy lubricant, applied by any method including pump/spray dispensing, brush, hand, or swabbing.

- How often should you inspect?

Wire rope should be visually inspected at least once each day when in use, as suggested by American Petroleum Institute's Recommended Practice 54 guidelines. Any wire rope that meets the criteria for removal must be immediately replaced.

- **When should you replace wire rope due to broken wires?**

Wire rope should be removed from service if you see six randomly distributed broken wires within any one lay length or three broken wires in one strand within one lay length.

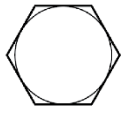
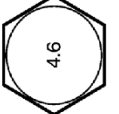
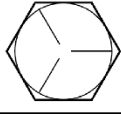
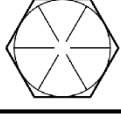

- **Are there other reasons to replace your wire rope?**

Yes. Corrosion that pits the wires and/or connectors, evidence of kinking, crushing, cutting, bird-caging, or a popped core, wear that exceeds 10% of a wire's original diameter, or heat damage.

- **How do you find broken wires?**

- a. Relax your rope to a stationary position and move the pick-up points off the Sheaves. Clean the surface of the rope with a cloth — a wire brush, if necessary — so you can see any breaks.
- b. Flex the rope to expose any broken wires hidden in the valleys between the strands.
- c. Visually check for any broken wires. One way to check for crown breaks is to run a cloth along the rope to check for snags.
- d. With an awl, probe between wires and strands and raise any wires that appear loose.

# Fasteners Torque Chart

FASTENER TORQUE CHART													
Bolt Size (SAE)	Bolt Grade (SAE)	SAE Grade 0-1-2		SAE Grade 4.6		SAE Grade 5		SAE Grade 8		Socket Head Cap Screw SAE Grade			
												Bolt Class (Metric)	Metric Class 4.6
Bolt Size (SAE)	Bolt Size (Metric)	Tightening Torque			Tightening Torque			Tightening Torque					
				Lubricated (ft-lbs)	Zinc Plated (ft-lbs)	Plain & Dry (ft-lbs)	Lubricated (ft-lbs)	Zinc Plated (ft-lbs)	Plain & Dry (ft-lbs)	Lubricated (ft-lbs)	Zinc Plated (ft-lbs)	Plain & Dry (ft-lbs)	Lubricated (ft-lbs)
1/4-20	M6 x1.0	2.3	2.6	3.0	5.8	6.6	7.7	8.3	9.4	11.1	9.7	11.0	13.0
5/16-18	M8 x 1.25	3.8	4.3	5.0	9.7	11.0	13.0	13.9	15.8	18.5	16.3	18.4	21.7
3/8-16	M10 x 1.50	10.8	12.3	14.4	27.9	31.6	37.2	39.9	45.2	53.2	46.7	52.9	62.2
7/16-14	N/A	24.0	27	30.0	35.0	42	50.0	55.0	59	70.0	61.0	68	76.0
1/2-13	M12 x 1.75	18.9	21.4	25.2	48.7	55.1	64.9	69.6	78.9	92.8	81.4	92.2	108.5
9/16-12	M14 x 2.00	30.2	34.2	40.2	77.8	88.1	103.7	111.3	126.1	148.4	130.0	147.4	173.4
5/8-11	M16 x 2.00	47	53	62	121	137	161	173	196	230	202	229	269
3/4-10	M18 x 2.50	65	73	86	167	189	222	239	270	318	279	316	372
7/8-9	M22 x 2.50	136	155	182	320	365	430	460	515	600	510	575	640

**WARNING!** Prior to installation, inspect all accompanying manuals, parts lists and catalogs to ensure you have all the necessary parts. Identify all fasteners and their proper torque settings as illustrated on this chart. Proper torquing practices cannot be over emphasized. Torque values are provided as a convenient method of achieving correct pre-loading of highly stressed fasteners. If the fasteners are not properly plated, the fastener threads are not clean and free of deformation, or are not properly lubricated, the correct fastener pre-load will not be achieved even though the given torque value is reached. For this reason, it is critical that all fasteners be inspected for proper plating, thread form and correctly lubricated prior to torquing. Failure to verify a fastener's serviceability or to correctly lubricate the fastener prior to assembly and torquing will result in the fastener not being properly pre-loaded and subsequent failure of the fastener may occur. The torque values can only be achieved if the nut (or tapped hole) has a proof load greater than or equal to the bolt's minimum ultimate tensile strength. Clamp loads estimated as 75% of proof load for specified bolts. Torque values are listed in foot-pounds. Torque wrenches should be calibrated on an annual basis. Never use an impact driver on a torque multiplier.



# Troubleshooting

This section describes how to troubleshoot your Lift.

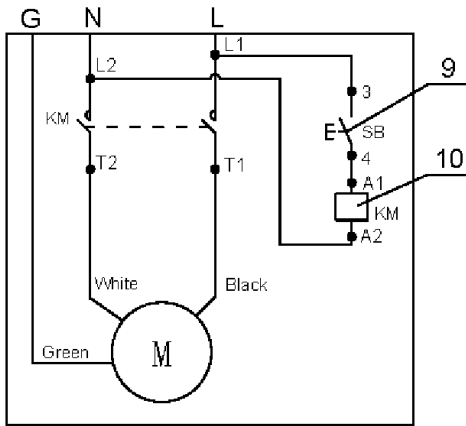
**⚠ WARNING** If your Lift is not functioning correctly, you must take it out of service until it is fixed.  
**Qualified personnel must accomplish all repair work.**

Runways do not raise or do not lower, once raised.	<p>Make sure there is sufficient Hydraulic Fluid in the reservoir. If the Hydraulic Fluid is dirty, replace it with clean fluid.</p> <p>Make sure there is no air in the Hydraulic System.</p> <p>Make sure none of the Hydraulic Hoses are pinched or leaking.</p> <p>Make sure the Power Unit is getting power.</p> <p>Make sure Lift is not overloaded.</p>
Runways do not lower past the nearest Safety Lock even when pressing and holding the pushbutton.	Problem with the Air Lines; check to make sure all sections of the Air Line are connected and not leaking.
One corner of a Platform is lower than the other three corners.	The Safety Lock on the lower corner is not engaged. Raise the Runways up, then lower them down onto the Safety Locks. Check to make sure all four Safety Locks are engaged on Safety Locks of the same height.
Runways move erratically or squeak when in use.	Move the Runways up and down a few times to flush any residual air from the Hydraulic System. Make sure to pause for at least 2 minutes between cycles.
Runways do not stay up.	<p>Check for leaking Hydraulic Fluid.</p> <p>Make sure the Runways are left on their Safety Locks.</p>
Motor not running.	<p>Check the connection to the power source; make sure it is plugged in and of the appropriate voltage.</p> <p>Check the wiring diagram.</p>
Hydraulic Fluid is dirty.	Replace the dirty fluid with clean, approved Hydraulic Fluids, such as Dexron III, Dexron VI, Mercon V, Mercon LV, Shell Tellus S4 / S3 / S2, or comparable.
Runways make odd noises.	Lubricate the bushings on the sheaves on the sides of the Crosstubes using white lithium grease. If the Lift is new, a break-in period may be needed; run the Lift several times each day. If the noises persist, contact BendPak Support.

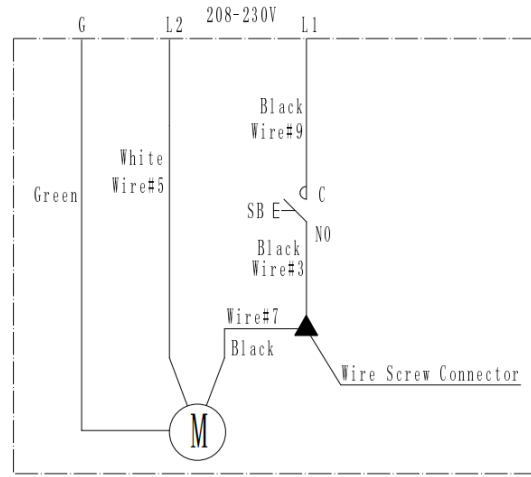
If you continue to have issues with your Lift, take it out of service, then contact your dealer, go to [bendpak.com/support](https://bendpak.com/support), email [support@bendpak.com](mailto:support@bendpak.com), or call **(800) 253-2363** select option 7 then 4.

# Wiring Diagrams

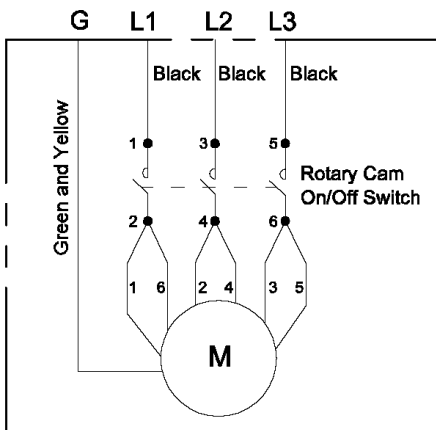
**5585312 (208-240, 1 Ph, 50/60Hz. 3 HP)**



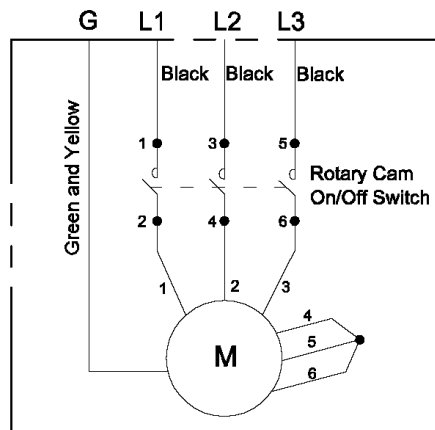
**5585503 (208-230, 1 Ph, 50/60Hz. 2 HP)**



**5585512 (208-230/400/460VAC, 3 Ph., 50/60 Hz. 4 HP.)**



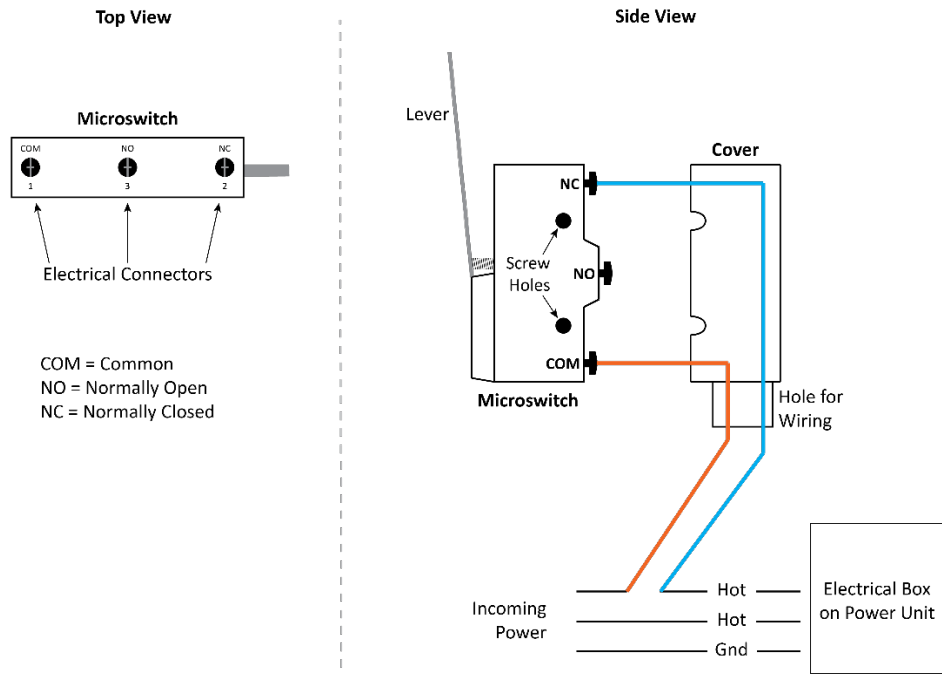
Wiring for 208-230V



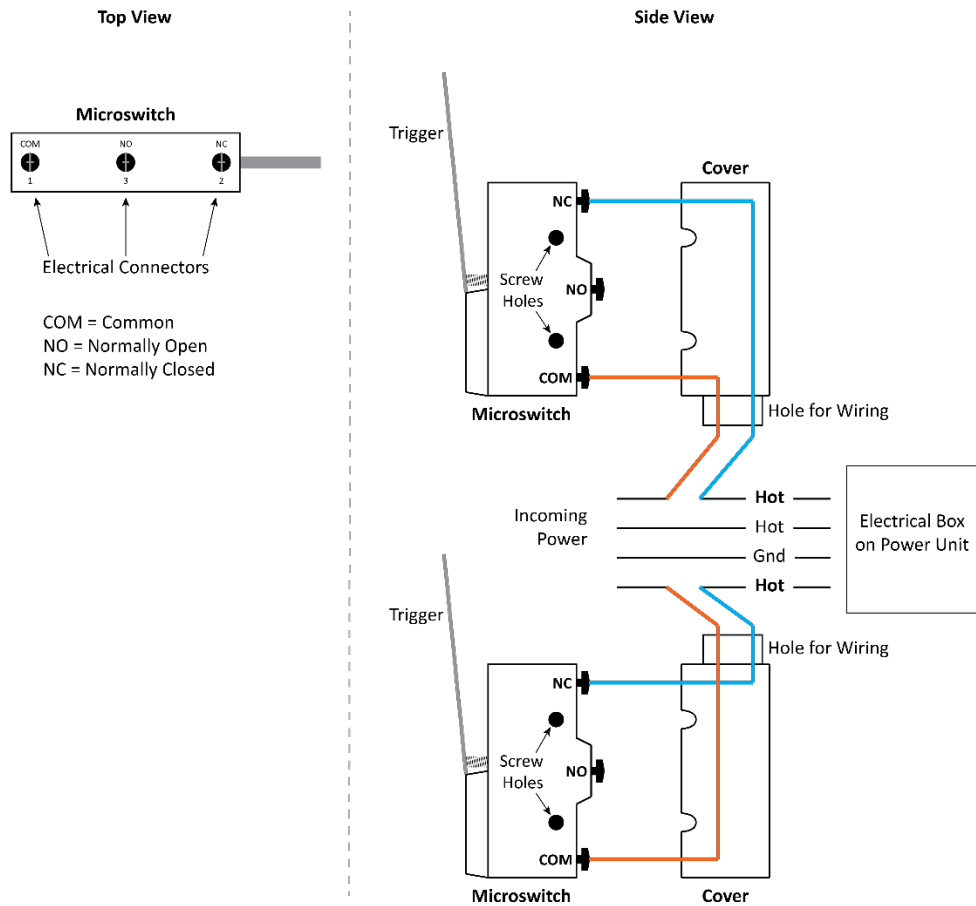
Wiring for 400/460V

This section describes wiring details for the Microswitch(es), depending on your chosen Power Unit.

**Single Phase:**



**Three Phase:**



# Labels

A

**BENDPAK**

ABOVE-GROUND LIFTS

**BendPak**  
INCORPORATED

1100 Commonwealth Drive  
Santa Paula, CA 91367  
800-353-3973  
www.bendpak.com

B

**DANGER**

Remain clear of lift at all times when raising or lowering platforms.  
**NO RIDERS ON PLATFORMS**  
Trained operators only are to use lift.

**WARNING**

Read the entire operation manual, warnings and any other instructions before using this lift. Do not operate when you are the only person on the lift unless you are properly trained, holding required certification and/or are authorized under applicable regulatory codes and operating as an authorized person under the authority of applicable state or federal laws. Do not use lift for purposes not intended by the manufacturer. Do not use lift for purposes other than those intended by the manufacturer. Do not use lift for purposes other than those intended by the manufacturer.

**WARNING**

Read the entire operation manual, warnings and any other instructions before using this lift. Do not operate when you are the only person on the lift unless you are properly trained, holding required certification and/or are authorized under applicable regulatory codes and operating as an authorized person under the authority of applicable state or federal laws. Do not use lift for purposes not intended by the manufacturer. Do not use lift for purposes other than those intended by the manufacturer. Do not use lift for purposes other than those intended by the manufacturer.

**OPERATION INSTRUCTIONS**

Read the entire operation manual and all warning instructions before operating this lift.

**IMPORTANT NOTE**

The maximum load capacity of the lift is limited by the weight of the vehicle that is being lifted. Do not exceed the maximum load capacity of the lift.

**PLATFORM OR UPPER PLATFORM / PRE-LIFTING PROCEDURE**

1. Ensure that the lift is on a flat, level surface.
2. Ensure that the lift is fully extended.
3. Ensure that the lift is fully lowered.
4. Ensure that the lift is fully retracted.
5. Ensure that the lift is fully retracted.
6. Ensure that the lift is fully retracted.

**LIFTING PROCEDURE - UPPER PLATFORM**

1. Move the lift to the desired position.
2. Move the lift to the desired position.
3. Move the lift to the desired position.
4. Move the lift to the desired position.
5. Move the lift to the desired position.
6. Move the lift to the desired position.

**LIFTING PROCEDURE - LOWER PLATFORM**

1. Move the lift to the desired position.
2. Move the lift to the desired position.
3. Move the lift to the desired position.
4. Move the lift to the desired position.
5. Move the lift to the desired position.
6. Move the lift to the desired position.

**MOVING MACHINERY**  
KEEP HANDS AND FEET CLEAR AT ALL TIMES

**WARNING**

**PARKING LIFT WIRE ROPE INSPECTION & MAINTENANCE**

Read and understand these instructions before using lift. Failure to read, understand and follow these instructions may cause death or serious injury.

C

**CAUTION**

**PLATFORM SELECTOR VALVE**

Do not operate when the UPPER PLATFORM selector valve is in the DOWN position. Do not operate when the LOWER PLATFORM selector valve is in the UP position. Do not operate when the LOWER PLATFORM selector valve is in the DOWN position. Do not operate when the UPPER PLATFORM selector valve is in the UP position.

**MISE EN GARDE**

**VALVE DE SÉLECTION DE PLATEFORME**

Ne pas utiliser lorsque la valve de sélection de la PLATEFORME SUPÉRIEURE est en position BASS. Ne pas utiliser lorsque la valve de sélection de la PLATEFORME INFÉRIEURE est en position HAUT. Ne pas utiliser lorsque la valve de sélection de la PLATEFORME INFÉRIEURE est en position BASS. Ne pas utiliser lorsque la valve de sélection de la PLATEFORME SUPÉRIEURE est en position HAUT.

**UPPER PLATFORM**

**LOWER PLATFORM**

D

**DANGER**

THE MAXIMUM LIFTING CAPACITY FOR THIS LIFT IS DESCRIBED BELOW

Max Lifting Capacity / Total Both Decks	16,000 lbs. / 7257 kg
Max Lifting Capacity / Upper Deck	7,000 lbs. / 3175 kg
Max Lifting Capacity / Lower Deck	9,000 lbs. / 4082 kg

Exceeding the weight capacity of this lift can damage lift and/or property and may cause personal injury, injury or death to operators and/or bystanders. All vehicles MUST be centered on lifting platforms. Damage to lift due to overloading or misuse IS NOT covered under warranty.

E

**ATTENTION**

TOP PLATFORM  
MAXIMUM LIFTING CAPACITY  
**7000 Lbs.**  
**3175 Kg.**

BOTTOM PLATFORM  
MAXIMUM LIFTING CAPACITY  
**9000 Lbs.**  
**4082 Kg.**

F

**BendPak**

SAFETY INSTRUCTIONS: READ AND UNDERSTAND THESE INSTRUCTIONS BEFORE OPERATING THIS LIFT. FAILURE TO READ, UNDERSTAND AND FOLLOW THESE INSTRUCTIONS MAY CAUSE DEATH OR SERIOUS INJURY.

**POWER: ELECTRICITY/AC**

**INSTALLATION: SEE OWNERS GUIDE OR CONTACT FACTORY**

**WARNING: LIFT IS A SERIOUS FALL HAZARD. ALWAYS WEAR YOUR SAFETY BELT AND SHOES. NEVER STAND ON THE PLATFORMS. NEVER REACH OUT FROM THE PLATFORMS. NEVER USE THE LIFT AS A STEPLADDER. NEVER USE THE LIFT TO LIFT PEOPLE OR LOADS. NEVER USE THE LIFT TO LIFT LOADS THAT ARE HEAVIER THAN THE MAXIMUM LIFTING CAPACITY. NEVER USE THE LIFT TO LIFT LOADS THAT ARE UNBALANCED. NEVER USE THE LIFT TO LIFT LOADS THAT ARE UNSTABLE. NEVER USE THE LIFT TO LIFT LOADS THAT ARE UNSTEADY. NEVER USE THE LIFT TO LIFT LOADS THAT ARE UNFIXED. NEVER USE THE LIFT TO LIFT LOADS THAT ARE UNBOUND. NEVER USE THE LIFT TO LIFT LOADS THAT ARE UNCONTROLLED. NEVER USE THE LIFT TO LIFT LOADS THAT ARE UNRESTRICTED. NEVER USE THE LIFT TO LIFT LOADS THAT ARE UNLIMITED. NEVER USE THE LIFT TO LIFT LOADS THAT ARE UNMEASURED. NEVER USE THE LIFT TO LIFT LOADS THAT ARE UNCALCULATED. NEVER USE THE LIFT TO LIFT LOADS THAT ARE UNTESTED. NEVER USE THE LIFT TO LIFT LOADS THAT ARE UNPROVEN. NEVER USE THE LIFT TO LIFT LOADS THAT ARE UNTRIED. NEVER USE THE LIFT TO LIFT LOADS THAT ARE UNTRUSTED. NEVER USE THE LIFT TO LIFT LOADS THAT ARE UNRELIABLE. NEVER USE THE LIFT TO LIFT LOADS THAT ARE UNREASONABLE. NEVER USE THE LIFT TO LIFT LOADS THAT ARE UNREASONABLE. NEVER USE THE LIFT TO LIFT LOADS THAT ARE UNREASONABLE. NEVER USE THE LIFT TO LIFT LOADS THAT ARE UNREASONABLE.**

G

**WARNING**

SLIPPERY WHEN WET OR ICY

Use caution when driving on wet or icy drive-up ramps and platforms. **DO NOT** walk on lift surfaces that are wet or icy.

**AVERTISSEMENT**

GLISSANT LORSQU'IL EST MOUILLÉ OU GLACÉ

Soyez prudent lorsque vous conduisez sur des rampes d'accès mouillées ou verglacées et les plateformes. **NE PAS** marcher sur des surfaces de levage humides ou glacées.

**H**

<b>EP BendPak</b> Santa Paula, CA USA www.bendpak.com	
MODEL NUMBER	
DESCRIPTION	
CAPACITY TOP DECK	
CAPACITY BOTTOM DECK	
VOLTAGE	
<input type="checkbox"/> 110-120V, 50-60 Hz, 1 Ph	DATE CODE
<input type="checkbox"/> 208-210V, 50-60 Hz, 1 Ph	SERIAL NUMBER
<input type="checkbox"/> 380-415V, 50-60 Hz, 3 Ph	UPC
<input type="checkbox"/> 208-440V, 50-60 Hz, 3 Ph	
<b>DANGER!</b> Disconnect Power Before Servicing	ERIC
MADE IN CHINA	WARRANTY VOID IF DATA PLATE IS REMOVED PN 5905093

PN 5905093

**I****CALIFORNIA PROPOSITION 65****WARNING**

**WARNING!** This product can expose you to chemicals including styrene and vinyl chloride which are on the list of over 900 chemicals identified by the State of California to cause cancer, birth defects or reproductive harm. ALWAYS use this product in accordance with the manufacturer's instructions.

For more information, go to [www.p65warnings.ca.gov](http://www.p65warnings.ca.gov). PN 5905775

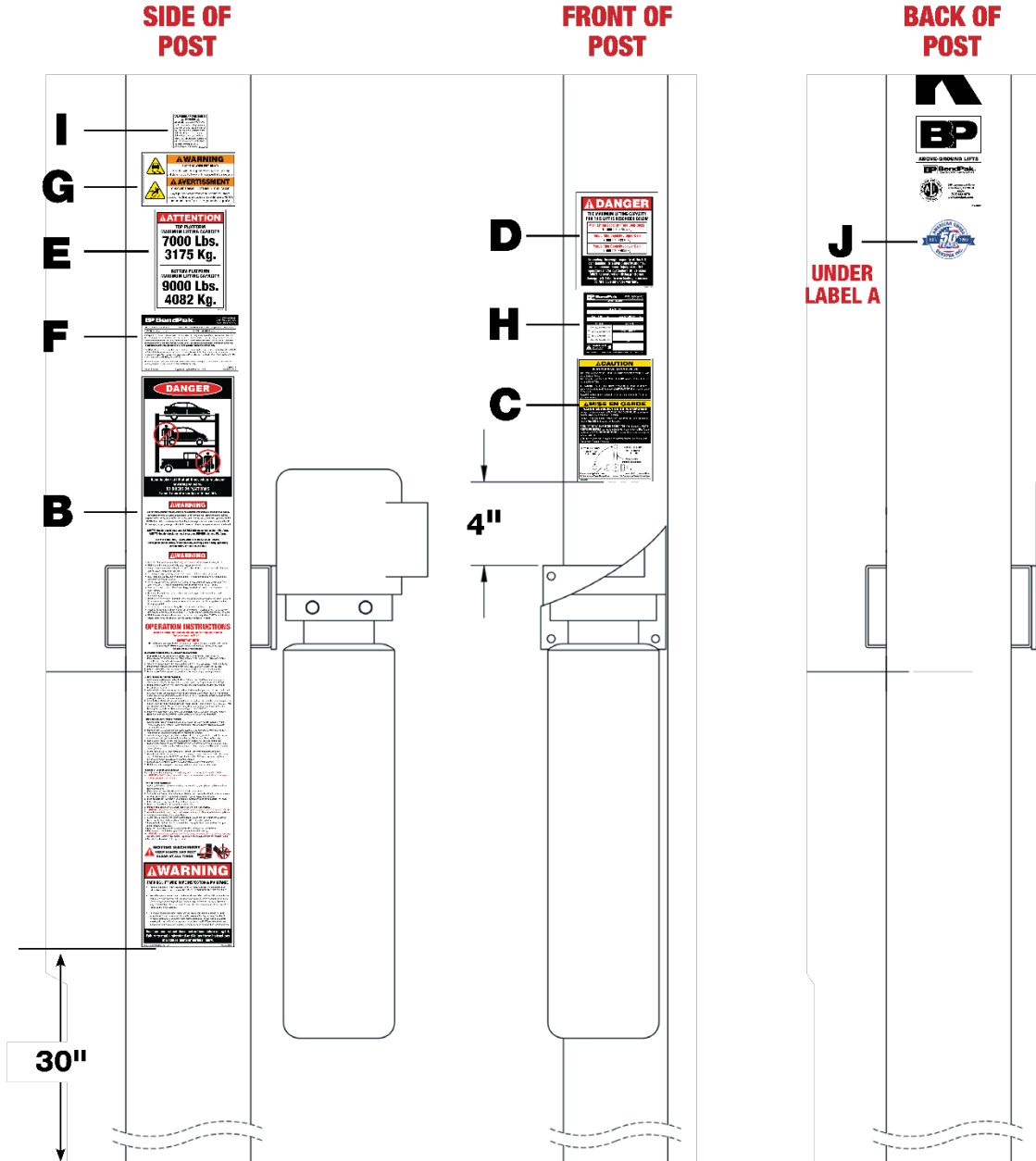
PN 5905775

**J**

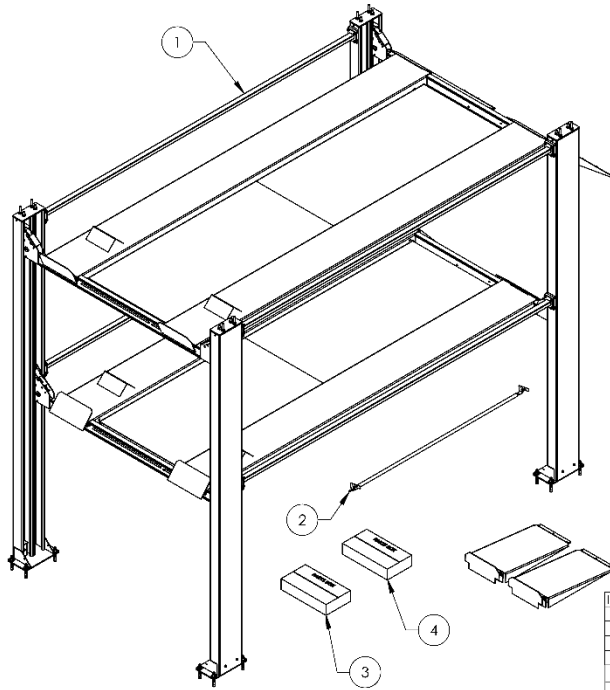
PN 5906044



## Views of Powerside Post



# Parts Drawings



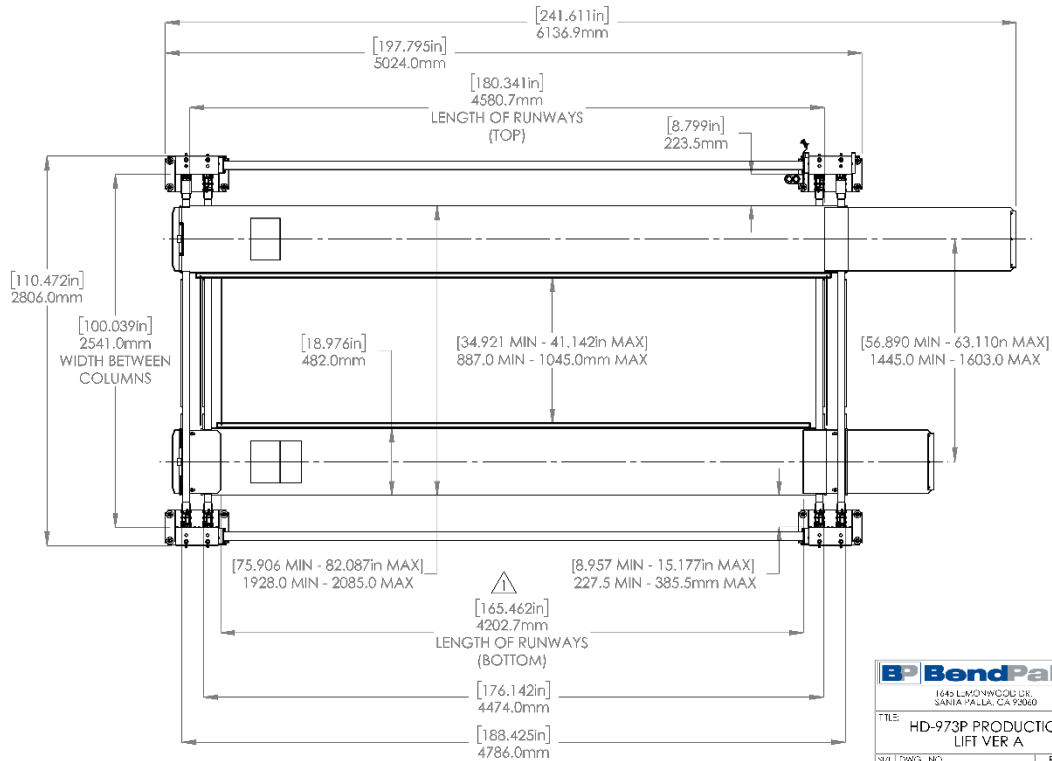
**NOTE: UNLESS OTHERWISE SPECIFIED**

1. REFER TO MODEL FOR ADDITIONAL INFORMATION
2. SEE COLORS & GRAPHICS FOR LABEL PLACEMENT
3. SEE SHIPPING INSTRUCTIONS FOR FINAL PACKAGING

ITEM NO.	PART NUMBER	DESCRIPTION	QTY	REV
1	5245059	HD-973P LIFT SUPERSTRUCTURE	1	V
2	5215918	HD-973 MICRO SWITCH STOP BAR ASSEMBLY	1	A
3	5250383	HD-973P PARTS BOX 1, PACKAGE 1	1	A
4	5250384	HD-973P PARTS BOX 2, PACKAGE 2	1	A

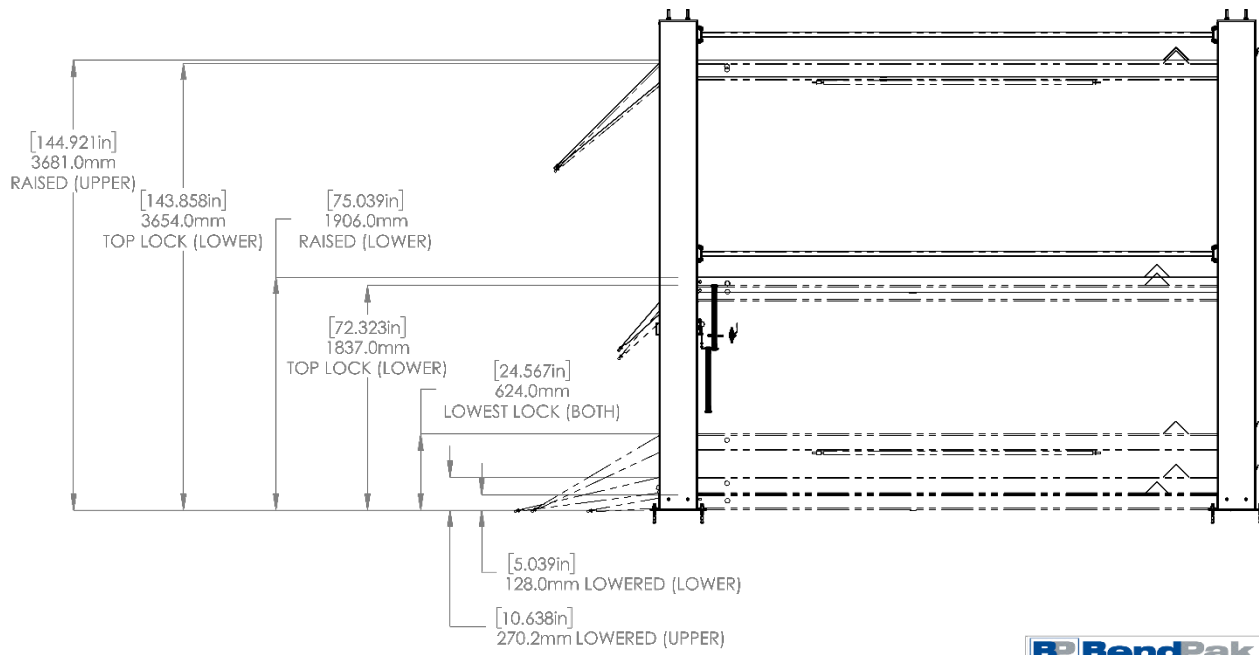
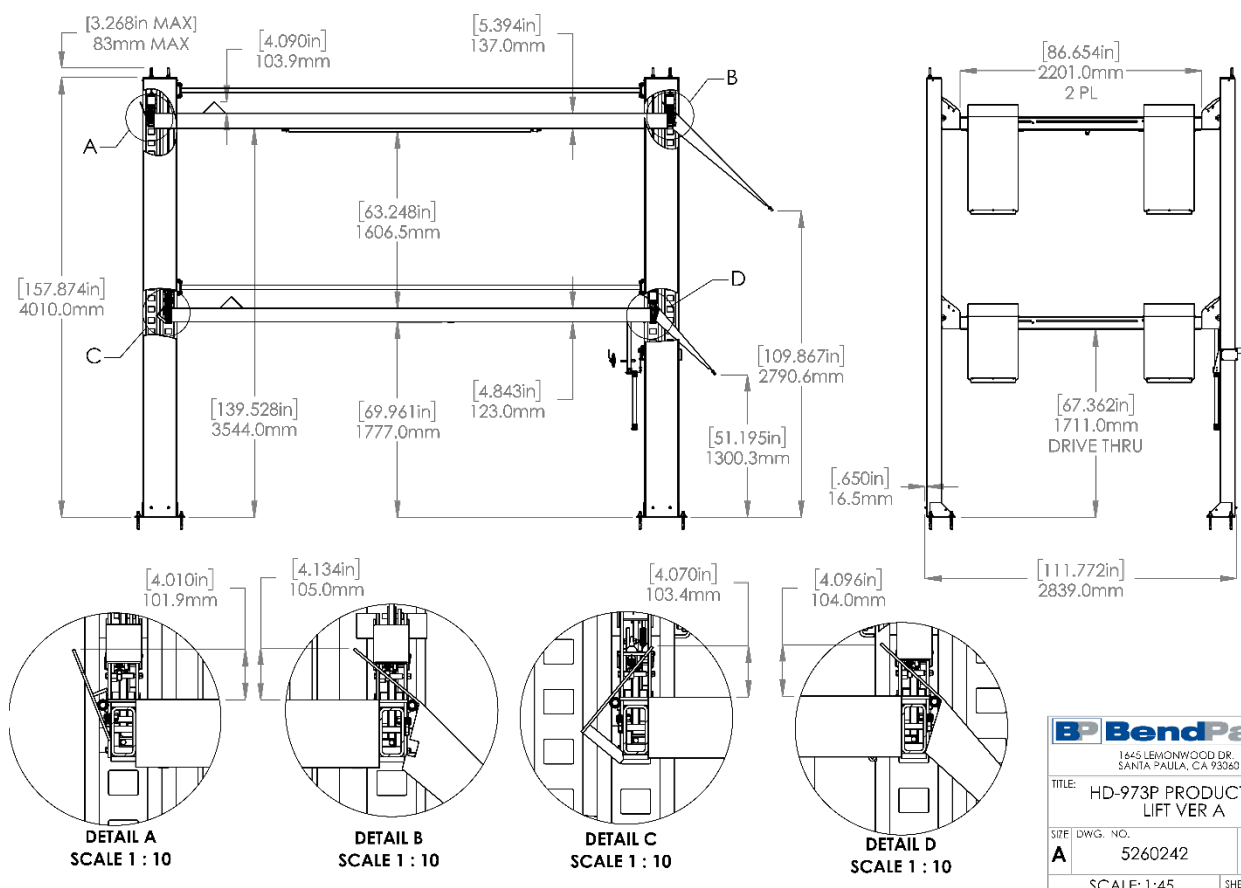
  

DO NOT SCALE DRAWINGS	NAME	DATE	 645 LAMONWOOD DR. SANTA PALMA, CA 92060
	DRAWN	IM 2/21/2018	
SMILES ON PART NUMBER	CHECKED		TITLE: HD-973P PRODUCTION LIFT VER A
 THIRD ANGLE PROJECTION			SIZE: DWG NO. REV
PROPRIETARY AND CONFIDENTIAL INFORMATION CONTAINED HEREIN IS THE PROPERTY OF BENDPAK INC. © 2018 ALL RIGHTS RESERVED. NO REPRODUCTION OR TRANSMISSION IN ANY FORM OR BY ANY MEANS, ELECTRONIC OR MECHANICAL, INCLUDING PHOTOCOPYING, RECORDING, OR BY ANY INFORMATION STORAGE AND RETRIEVAL SYSTEM, IS PERMITTED WITHOUT THE WRITTEN PERMISSION OF BENDPAK INC.			A 5260242 Z
			SCALE: 1:40 SHEET 1 OF 5



TOP RAMP HIDDEN FOR CLARITY

 645 LAMONWOOD DR. SANTA PALMA, CA 92060		
TITLE: HD-973P PRODUCTION LIFT VER A		
SIZE: DWG. NO.	REV	
A 5260242	Z	
SCALE: 1:30		SHEET 2 OF 5



1. SAFETY LOCK POSITIONS:  
UPPER RAMPS: 31  
LOWER RAMPS: 13
2. SPACED EVERY: 101.0mm / 3.976"
3. DIMENSIONS SHOWS ARE WITH THE LOCK LADDERS ADJUSTED ALL THE WAY UP

<b>BP BendPak.</b> 1645 LEMONWOOD DR. SANTA PAULA, CA 93060	
TITLE: HD-973P PRODUCTION LIFT VER A	
SIZE DWG. NO. <b>A</b> 5260242	REV Z
SCALE: 1:40 SHEET 4 OF 5	



5175238 - PACKAGE 1		
PART NUMBER	DESCRIPTION	QTY
5174220	HD-9 ALUMINUM APPROACH RAMP ASSEMBLY	2
5215817	HD-973P UPPER POWER SIDE RAMP ASSEMBLY	1
5216155	HD-7/9/973P CROSSTUBE ASSEMBLY, SMALL WINDOW	2
5216157	HD-7W/973P CROSSTUBE ASSEMBLY, LARGE WINDOW	1
5250383	HD-973P PARTS BOX 1, PACKAGE 1	1
5535008	NUT M16 x 2 NL	8
5535021	NUT M16 x 2.0	8
5545025	WASHER, M16 x 30mm FLAT	8
5600890	HD-7/7500/9, PL-12000 TIRE STOP PLATE WELDMENT	2
5600921	HD-7/973/7500 SAFETY LADDER WELDMENT	4
5601274	HD-973P POWER SIDE POST WELDMENT	1
5601275	HD-973P OFF SIDE POST WELDMENT	2
5601295	HD-973P UPPER OFF SIDE RAMP WELDMENT	1
5601296	HD-973P STIFFENER TUBE WELDMENT	2
5601356	HD-973 TIRE STOP WELDMENT	2
5701783	PLASTIC RAMP COVER, 1040.5mm	8
5701784	PLASTIC RAMP COVER, 1118mm	8
5716005	CROSSTUBE POLYETHYLENE SLIDE BLOCK	16
5735728	HD DROP IN TIRE STOP	2

5174100 - PACKAGE 2		
PART NUMBER	DESCRIPTION	QTY
5215131	HD-7/9 EXTENDED DRIVE UP RAMP ASSEMBLY	2
5215193	HD-7/9/7500BL DRIVE UP RAMP ASSEMBLY	2
5215787	HD-973P LOWER POWER SIDE RAMP ASSEMBLY	1
5215818	HD-973 MICRO SWITCH STOP BAR ASSEMBLY	1
5216155	HD-7/9/973P, PL-12000 CROSSTUBE ASSEMBLY, SMALL WINDOW	1
5216156	HD-9/973P, PL-12000 CROSSTUBE ASSEMBLY, LARGE WINDOW	1
5250384	HD-973P PARTS BOX 2, PACKAGE 2	1
5535008	NUT M16 x 2.0 NL, CL 10.9	4
5535021	NUT M16 x 2.0, CL 10.9	4
5545025	WASHER M16 x 30 FLAT, CL 10.9	4
5601271	HD-973P LOWER OFF SIDE RAMP WELDMENT	1
5601275	HD 973P OFF SIDE POST WELDMENT	1
5601281	HD-973 LOWER RAMP SAFETY LADDER WELDMENT	4
5601296	HD-973P STIFFENER TUBE WELDMENT	2
5601299	HD-973P OFF SIDE POST WELDMENT, L.H.	1
5716005	CROSSTUBE POLYETHYLENE SLIDE BLOCK	16

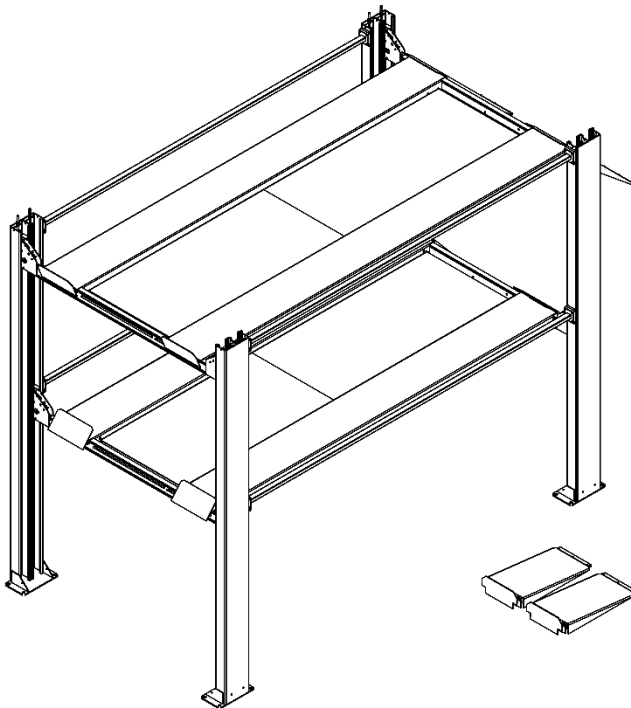
5174110 - PACKAGE 3		
PART NUMBER	DESCRIPTION	QTY
5601273	HD-973P ALUMINUM SHORT SOLID DECK WELDMENT	1
5601293	HD-973P ALUMINUM LONG SOLID DECK WELDMENT	3

**BP BendPak**  
 1645 LEMONWOOD DR.  
 SANTA PALLA, CA 95060

TITLE: HD-973P PRODUCTION  
 LIFT VER A

SIZE DWG. NO. REV  
 A 5260242 Z

SCALE: 1:20 SHEET 5 OF 5



WHERE USED  
 HD-973P

**NOTE: UNLESS OTHERWISE SPECIFIED**

- REFER TO MODEL FOR ADDITIONAL INFORMATION
- SEE SHIPPING INSTRUCTIONS FOR FINAL PACKAGING
- THREAD M16 HARDWARE ONTO LADDER BOLTS AS SHOWN

NEXT ASSEMBLY  
 5260242

ITEM NO	PART NUMBER	DESCRIPTION	QTY	REV
1	5601274	HD-973P POWER SIDE POST WELDMENT	1	F
2	5601275	HD-973P OFF SIDE POST WELDMENT	2	E
3	5601299	HD-973P OFF SIDE POST WELDMENT, L.H.	1	D
4	5216155	HD-7/9/973P, PL-12000 CROSSTUBE ASSEMBLY, SMALL WINDOW	2	A
5	5216156	HD-9/973P, PL-12000 CROSSTUBE ASSEMBLY, LARGE WINDOW	1	A
6	5216157	HD-7W/973P CROSSTUBE ASSEMBLY, LARGE WINDOW	1	A
7	5600921	HD-7/973/7500 SAFETY LADDER WELDMENT	4	C
8	5601281	HD-973 LOWER RAMP SAFETY LADDER WELDMENT	4	C
9	5535021	NUT M16 x 2.0	8	-
10	5535008	NUT M16 x 2 NL	8	-
11	5545025	WASHER, M16 x 30mm FLAT	8	-
12	5215787	HD-973P LOWER POWER SIDE RAMP ASSEMBLY	1	J
13	5601271	HD-973P LOWER OFF SIDE RAMP WELDMENT	1	D
14	5215817	HD-973P UPPER POWER SIDE RAMP ASSEMBLY	1	J
15	5601295	HD-973P UPPER OFF SIDE RAMP WELDMENT	1	B
16	5600890	HD-7/7500/9, PL-12000 TIRE STOP PLATE WELDMENT	2	F
17	5601356	HD-973 TIRE STOP WELDMENT	2	B
18	5215131	HD-7/9 EXTENDED DRIVE UP RAMP ASSEMBLY	2	H
19	5215193	HD-7/9/7500BL DRIVE UP RAMP ASSEMBLY	2	G
20	5601296	HD-973P STIFFENER TUBE WELDMENT	4	B
21	5601293	HD-973P ALUMINUM LONG SOLID DECK WELDMENT	3	C
22	5601273	HD-973P ALUMINUM SHORT SOLID DECK WELDMENT	1	D
23	5701784	PLASTIC RAMP COVER, 1118mm	8	B
24	5701783	PLASTIC RAMP COVER, 1040.5mm	8	B
25	5174220	HD-9 ALUMINUM APPROACH RAMP ASSEMBLY	2	G
26	5735728	HD DROP IN TIRE STOP	2	A
27	5716005	CROSSTUBE POLYETHYLENE SLIDE BLOCK	32	M

DO NOT SCALE DRAWING

NAME DATE  
 DRAWN TMA 06/28/2018  
 CHECKED

**BP BendPak**  
 1645 LEMONWOOD DR.  
 SANTA PALLA, CA 95060

3 DIMENSIONS ARE IN MM

THIRD ANGLE PROJECTION

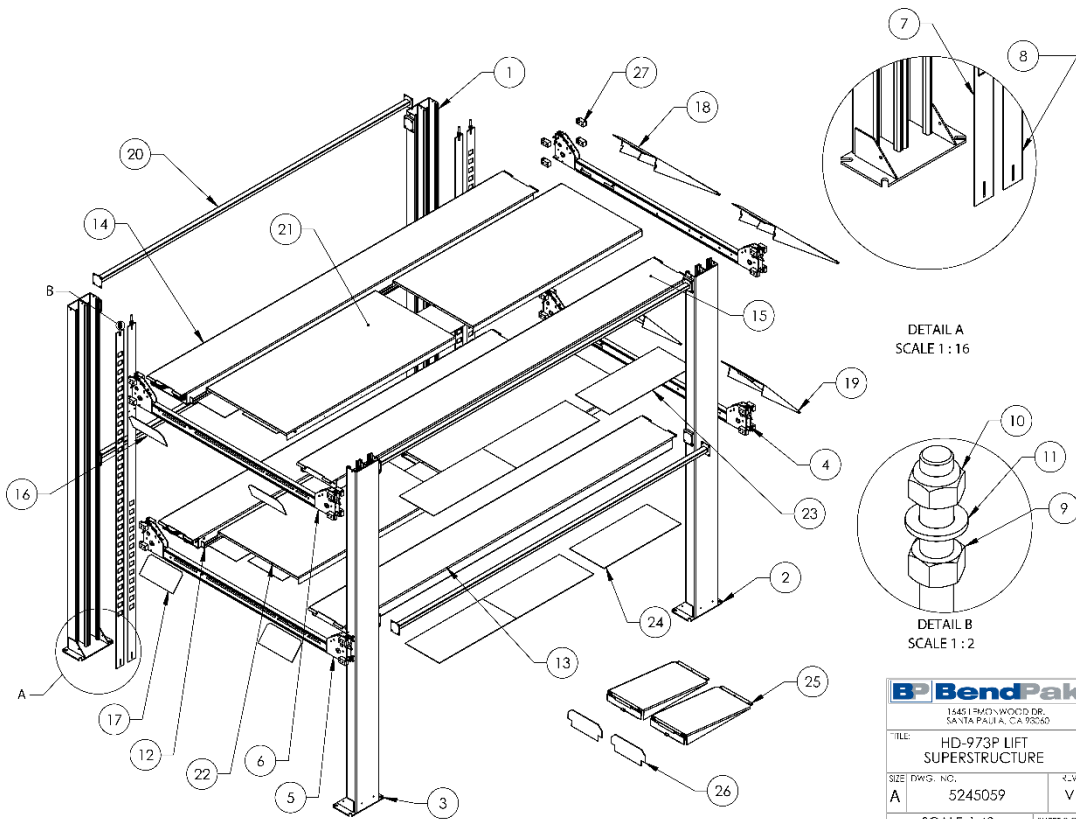
TITLE: HD-973P LIFT  
 SUPERSTRUCTURE



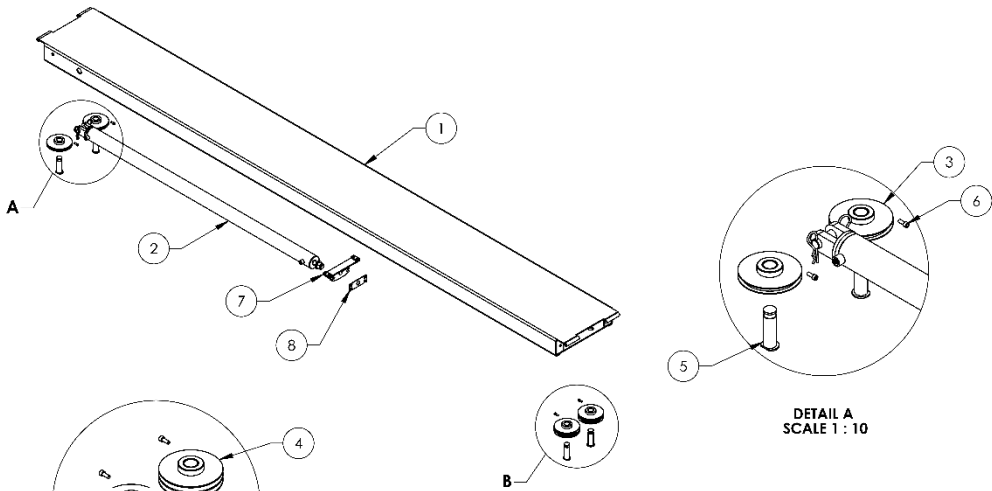
PROPRIETARY AND CONFIDENTIAL  
 THIS DOCUMENT IS THE PROPERTY OF BENDPAK, INC.  
 SPECIFICATIONS ARE SUBJECT TO CHANGE WITHOUT NOTICE.  
 CONTACT: 925-734-8300 / WWW.BENDPAK.COM

SIZE DWG. NO. REV  
 A 5245059 V

SCALE: 1:45 SHEET 1 OF 2



<b>BendPak</b>		
1845 FARMWOOD DR. SANTA PAULA, CA 95050		
TITLE: HD-973P LIFT SUPERSTRUCTURE		
SIZE DWG. NO.	REV	
A 5245059	V	
SCALE: 1:40		SHEET 2 OF 2



ITEM NO	PART NUMBER	DESCRIPTION	QTY	REV
1	5601270	HD-973P LOWER POWER SIDE RAMP WELDMENT	1	F
2	5502037	CYLINDER ASSEMBLY Ø2.75 x 70"	1	D
3	5215122	HD-77500/9 SINGLE SHEAVE ROLLER ASSEMBLY	2	E
4	5215123	HD-7500BL/9 TWIN SHEAVE ASSEMBLY	2	E
5	5600900	HD-77500/9 RAMP SHEAVE SHAFT WELDMENT	4	E
6	5520776	SHCS M8 x 1.25 x 20mm	4	-
7	5215910	HD-973 CYLINDER FLANGE ARM ASSEMBLY	1	B
8	5731309	CABLE RETAINER PLATE	1	A

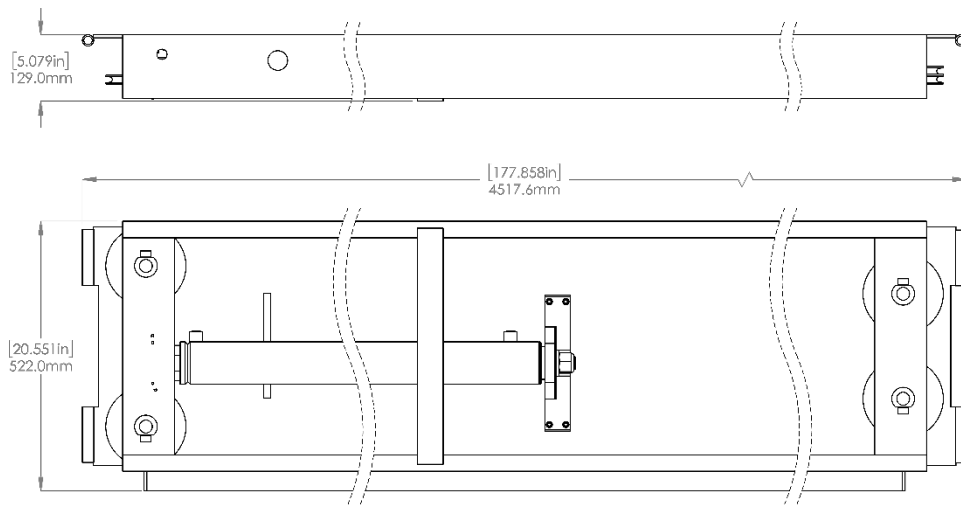
  

NO NOT SCALE DRAWING	NAME	DATE	<b>BendPak</b>
DRAWN BY	CHKD	06/28/2018	
EMERSONS APPROVAL	THRU ANGLE PROJECTION		TITLE: HD-973P LOWER POWER SIDE RAMP ASSEMBLY
	PROPRIETARY AND CONFIDENTIAL	SIZE DWG. NO.	REV
	THIS INFORMATION IS UNCLASSIFIED UNLESS INDICATED OTHERWISE BY THE BENDPAK RECORDS DEPARTMENT.	A 5215787	J
NEXT ASSEMBLY	SCALE: 1:25	SHEET 1 OF 2	
5245059			

WHERE USED  
HD-973P

**NOTE: UNLESS OTHERWISE SPECIFIED**

- REFER TO MODEL FOR ADDITIONAL INFORMATION
- SEE SHIPPING INSTRUCTIONS FOR FINAL PACKAGING
- ASSEMBLE ITEMS AS SHOWN

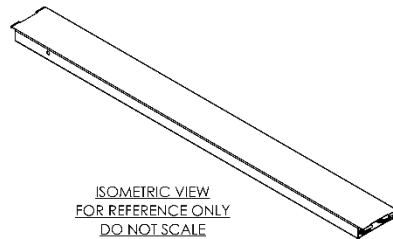
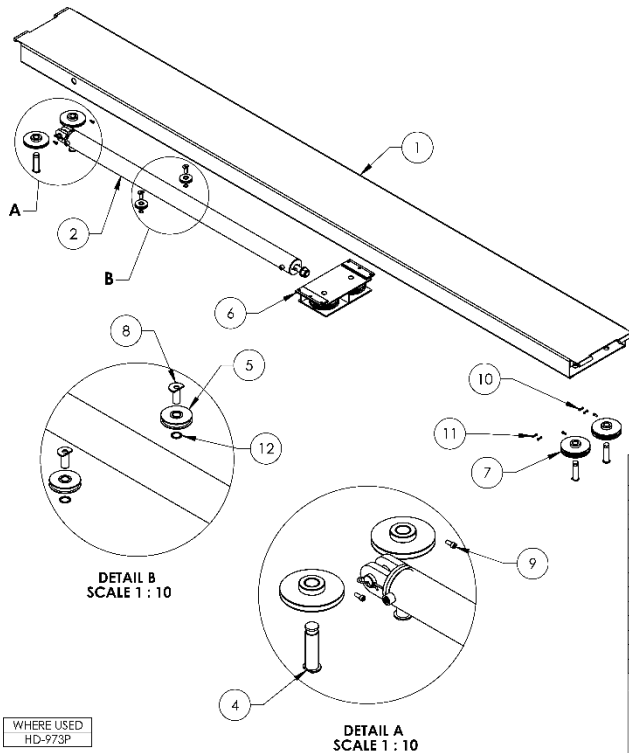


**BendPak**  
 1445 ELMONWOOD DR.  
 SANTA PAULA, CA 93360

TITLE: HD-973P LOWER POWER SIDE RAMP ASSEMBLY

S/P DWG. NO. 5215787 REV. J

SCALE: 1:10 SHEET 2 OF 2



ITEM NO.	PART NUMBER	DESCRIPTION	QTY	REV
1	5601294	HD-973P UPPER POWER SIDE RAMP WELDMENT	1	E
2	5502035	CYLINDER ASSEMBLY Ø3.5 x 70 SLOW	1	D
3	5215122	HD-7/7500/9 SINGLE SHEAVE ROLLER ASSEMBLY	2	E
4	5601300	HD-7M2/973 RAMP SHEAVE SHAFT WELDMENT	4	B
5	5575103	HD-7/973/7500P8X 76mm DIRECTION SHEAVE ASSEMBLY	2	F
6	5215819	HD-973 PULL BOX ASSEMBLY	1	D
7	5215185	HD-7/7500/973 TWIN SHEAVE ASSEMBLY	2	C
8	5600301	HD-7/7500/973 DIRECTIONAL SHEAVE PIN WELDMENT	2	C
9	5530776	SHCS M8 x 1.25 x 20mm	4	-
10	5530357	NUT M6 x 1.0, NL CL8	4	-
11	5530047	HHB, M6 x 1 x 30mmL	4	-
12	5505032	ROTOR CLIP Ø18mm SS	2	-
13	5745031	HD-7M2/973 SHEAVE SPACER	2	A

WHERE USED  
 HD-973P

NOTE: UNLESS OTHERWISE SPECIFIED  
 1. SEE SHIPPING INSTRUCTIONS FOR FINAL PACKAGING  
 2. ASSEMBLE ITEMS AS SHOWN

NEXT ASSEMBLY  
 5245059

DO NOT SCALE DRAWING

DRAWN: M DATE: 01/ 6/2019

CHECKED:

EMPHASIS A-2 IN AMV

THIRD ANGLE PROJECTION

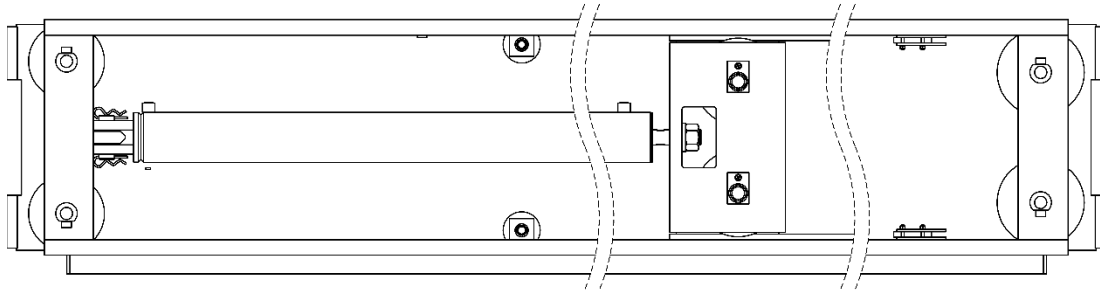
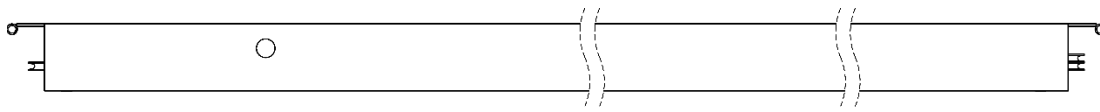
PROPRIETARY AND CONFIDENTIAL  
 INFORMATION CONTAINED HEREIN IS THE PROPERTY OF BENDPAK, INC.  
 ALL RIGHTS RESERVED. © BENDPAK, INC. 2019

**BendPak**  
 1445 ELMONWOOD DR.  
 SANTA PAULA, CA 93360

TITLE: HD-973P UPPER POWER SIDE RAMP ASSEMBLY

SIZE: FWG. NO. 5215787 REV. J

SCALE: 1:25 SHEET 1 OF 2

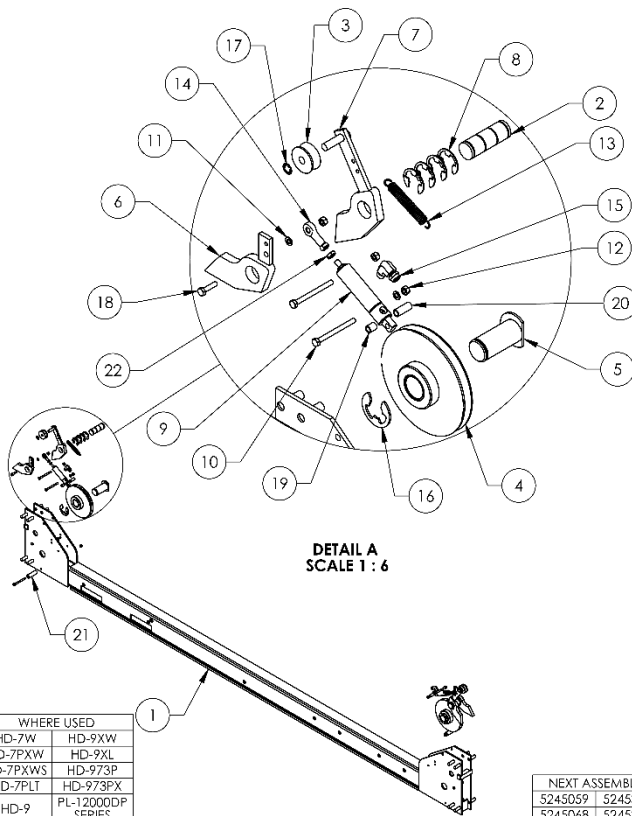


**BP BendPak**  
 1645 LEMONWOOD DR.  
 SANTA PAULA, CA 93060

TITLE: **HD-973P UPPER POWER SIDE RAMP ASSEMBLY**

SIZE: DWG. NO. REV  
**A 5215817 J**

SCALE: 1:10 SHEET 2 OF 2



- NOTE: UNLESS OTHERWISE SPECIFIED**
- SEE SHIPPING INSTRUCTIONS FOR FINAL PACKAGING
  - ASSEMBLE ITEMS AS SHOWN

ITEM NO	PART NUMBER	DESCRIPTION	QTY	REV
1	5601822	HD-7/9/973P CROSSTUBE WELDMENT, SMALL WINDOW	1	A
2	5746008	D4-12, HD/HDS-7/7500/9/14, HDSO-14 SAFETY PIN	2	D
3	5575420	HD-7/7500/9 SAFETY ROLLER	2	C
4	5215122	HD 7/7500/9 SINGLE SHEAVE ROLLER ASSEMBLY	2	E
5	5600160	HD-7/7500/9 CROSSTUBE SHEAVE SHAFT WELDMENT	2	G
6	5600760	D4-12, HD/HDS LIGHT DUTY SAFETY WELDMENT	2	C
7	5600044	4 POST LIGHT DUTY SLACK SAFETY WELDMENT	2	F
8	5540275	E RING Ø25mm OD DIN 6799 0250	8	-
9	5502195	AIR CYLINDER, Ø19mm x 25 STROKE	2	-
10	5530005	HHB M6 x 1 x 70	6	-
11	5545005	WASHER, M6 x 12mm FLAT	4	-
12	5535357	NUT M6 x 1.0 NL	8	-
13	5540065	SPRING Ø13mm x 90mm, SLACK SAFETY	2	A
14	5505625	FEMALE ROD END M6 x 33	2	-
15	5550087	FTG ELB -04 COMP x-02 NPT	2	-
16	5540010	E RING Ø32mm OD DIN 6799	2	-
17	5505030	PUSH-ON CLIP Ø10mm SS	2	-
18	5530756	HHB M6 x 1.0 x 25mm	2	-
19	5755136	AIR CYLINDER SPACER 12mm	2	A
20	5755137	AIR CYLINDER SPACER 25mm	2	A
21	5755157	D4-12, HD-7/7500/9 CROSSTUBE SPACER Ø16 x Ø10 x 50	2	A
22	5535230	NUT 1/4-28 JN	2	-

NEXT ASSEMBLY

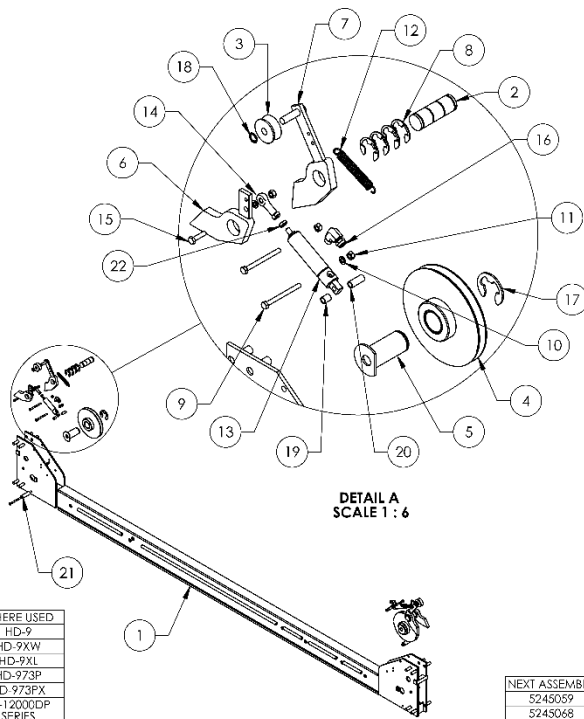
5245059	5245381
5245068	5245382
5245242	5245383
5245244	5245384
5245255	5245385
5245256	

BP BendPak  
 1645 LEMONWOOD DR.  
 SANTA PAULA, CA 93060

TITLE: **HD-7/9/973P, PL-12000 CROSSTUBE ASSEMBLY, SMALL WINDOW**

SIZE: DWG. NO. REV  
**A 5216155 A**

SCALE: 1:20 SHEET 1 OF 1



WHERE USED
HD-9
HD-9XW
HD-9XL
HD-973P
HD-973PX
PL-12000DP SERIES

**NOTE: UNLESS OTHERWISE SPECIFIED**  
 1. SEE SHIPPING INSTRUCTIONS FOR FINAL PACKAGING  
 2. ASSEMBLE ITEMS AS SHOWN

ITEM NO	PART NUMBER	DESCRIPTION	QTY	REV
1	5601821	HD-9/973P CROSSTUBE WELDMENT, LARGE WINDOW	1	A
2	5746008	D4-12, HD/HDS-7/7500/9/14, HDSO-14 SAFETY PIN	2	D
3	5575420	HD-7/7500/9 SAFETY ROLLER	2	C
4	5215122	HD-7/7500/9 SINGLE SHEAVE ROLLER ASSEMBLY	2	E
5	5600160	HD-7/7500/9 CROSSTUBE SHEAVE SHAFT WELDMENT	2	G
6	5600760	D4-12, HD/HDS LIGHT DUTY SAFETY WELDMENT	2	C
7	5600044	4 POST LIGHT DUTY SLACK SAFETY WELDMENT	2	F
8	5540275	E RING Ø25mm OD DIN 6799 0250	8	-
9	5530005	HFB M6 x 1 x 70	6	-
10	5545005	WASHER, M6 x 12mm FLAT	4	-
11	5535357	NUT M6 x 1.0 NL	8	-
12	5540065	SPRING Ø13mm x 90mm, SLACK SAFETY	2	A
13	5502195	AIR CYLINDER, Ø19mm x 25 STROKE	2	-
14	5505625	FEMALE ROD END M6 x 33	2	-
15	5530756	HFB M6 x 1.0 x 25mm	2	-
16	5550087	FTG ELB-04 COMP x-02 NPT	2	-
17	5540010	E RING Ø32mm OD DIN 6799	2	-
18	5505030	PUSH-ON CLIP Ø10mm SS	2	-
19	5755134	AIR CYLINDER SPACER 12mm	2	A
20	5755137	AIR CYLINDER SPACER 25mm	2	A
21	5755157	D4-12, HD-7/7500/9 CROSSTUBE SPACER Ø16 x Ø10 x 50	2	A
22	5535230	NUT 1/4-28 JN	2	-

NEXT ASSEMBLY
5245059
5245068
5245242
5245255
5245381
5245382
5245383

NO SCALE DRAWING

DRAWN	NAME	DATE
TAG		04/29/2022
CHECKED	NAME	DATE
CR		6/10/2022

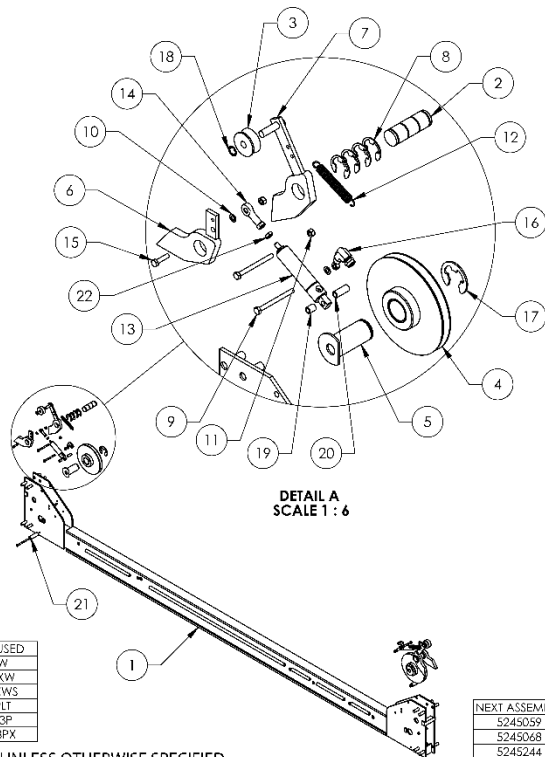
THIRD ANGLE PROJECTION

**BP BendPak**  
 1445 LEWISWOOD DR.  
 SANTA ANA, CA 92706

TITLE: HD-9/973P, PL-12000 CROSSTUBE ASSEMBLY, LARGE WINDOW

SIZE: DWG. NO. A 5216156 REV A

SCALE: 1:20 SHEET 1 OF 1



WHERE USED
HD-7W
HD-7PXW
HD-7PWS
HD-7PLT
HD-973P
HD-973PX

**NOTE: UNLESS OTHERWISE SPECIFIED**  
 1. SEE SHIPPING INSTRUCTIONS FOR FINAL PACKAGING  
 2. ASSEMBLE ITEMS AS SHOWN

ITEM NO	PART NUMBER	DESCRIPTION	QTY	REV
1	5601823	HD-7W/973P CROSSTUBE WELDMENT, LARGE WINDOW	1	A
2	5746008	D4-12, HD/HDS-7/7500/9/14, HDSO-14 SAFETY PIN	2	D
3	5575420	HD-7/7500/9 SAFETY ROLLER	2	C
4	5215122	HD-7/7500/9 SINGLE SHEAVE ROLLER ASSEMBLY	2	E
5	5600160	HD-7/7500/9 CROSSTUBE SHEAVE SHAFT WELDMENT	2	G
6	5600760	D4-12, HD/HDS LIGHT DUTY SAFETY WELDMENT	2	C
7	5600044	4 POST LIGHT DUTY SLACK SAFETY WELDMENT	2	F
8	5540275	E RING Ø25mm OD DIN 6799 0250	8	-
9	5530005	HFB M6 x 1 x 70	6	-
10	5545005	WASHER, M6 x 12mm FLAT	4	-
11	5535357	NUT M6 x 1.0 NL	8	-
12	5540065	SPRING Ø13mm x 90mm, SLACK SAFETY	2	A
13	5502195	AIR CYLINDER, Ø19mm x 25 STROKE	2	-
14	5505625	FEMALE ROD END M6 x 33	2	-
15	5530756	HFB M6 x 1.0 x 25mm	2	-
16	5550087	FTG ELB-04 COMP x-02 NPT	2	-
17	5540010	E RING Ø32mm OD DIN 6799	2	-
18	5505030	PUSH-ON CLIP Ø10mm SS	2	-
19	5755134	AIR CYLINDER SPACER 12mm	2	A
20	5755137	AIR CYLINDER SPACER 25mm	2	A
21	5755157	D4-12, HD-7/7500/9 CROSSTUBE SPACER Ø16 x Ø10 x 50	2	A
22	5535230	NUT 1/4-28 JN	2	-

NEXT ASSEMBLY
5245059
5245068
5245244
5245256
5245384
5245385

NO SCALE DRAWING

DRAWN	NAME	DATE
TM		05/02/2022
CHECKED	NAME	DATE
CR		06/10/2022

THIRD ANGLE PROJECTION

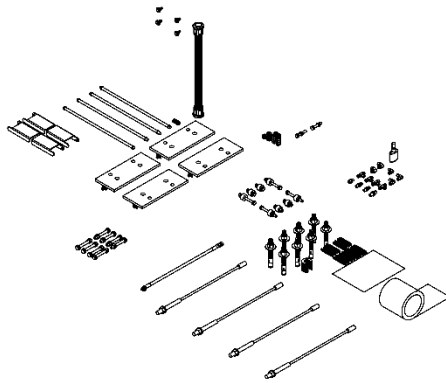
**BP BendPak**  
 1445 LEWISWOOD DR.  
 SANTA ANA, CA 92706

TITLE: HD-7W/973P CROSSTUBE ASSEMBLY, LARGE WINDOW

SIZE: DWG. NO. A 5216157 REV A

SCALE: 1:20 SHEET 1 OF 1

REVISION				
REV	DESCRIPTION	DATE	EDITED BY	ECO#
A	PRODUCTION RELEASE, DERIVED FROM 5250081, 5174027, AND 5175238	09/21/2023	TM	01516



WHERE USED  
HD-973P  
PACKAGE #1

NOTE: UNLESS OTHERWISE SPECIFIED  
1. SEE SHIPPING INSTRUCTIONS FOR FINAL PACKAGING

NEXT ASSEMBLY  
5175238

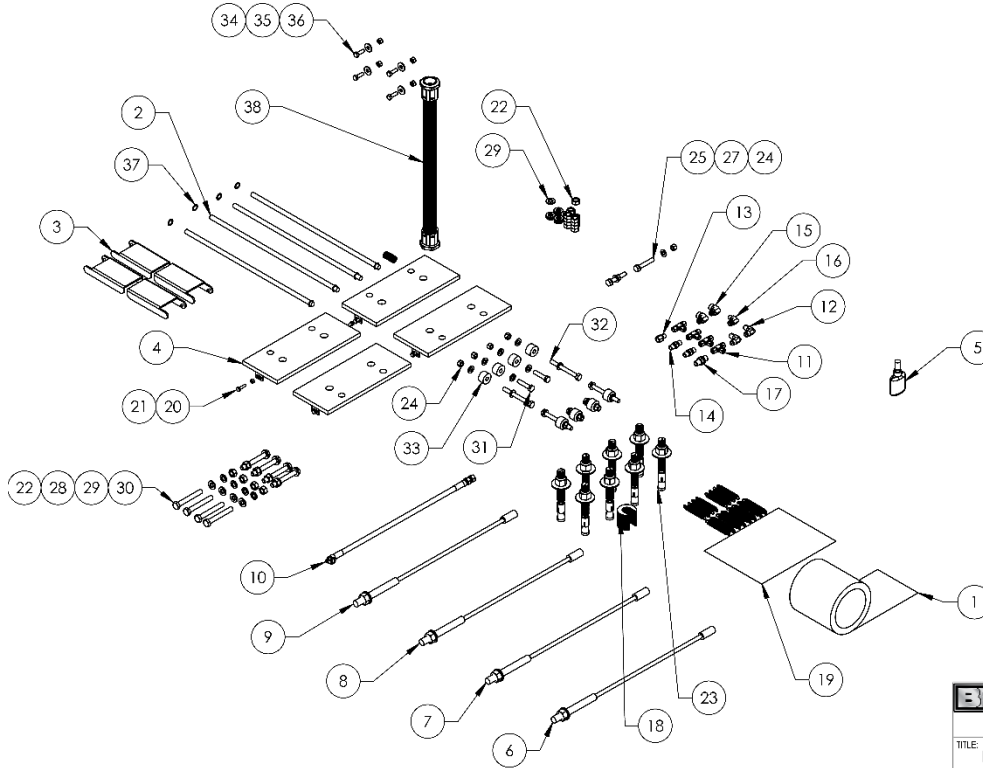
ITEM NO	PART NUMBER	DESCRIPTION	QTY	REV
1	5930195	ANTI-SLIP TAPE, 4" x 24ft	1	-
2	5745014	HD-77500/9, PL-12000 DRIVE UP RAMP PIN	4	B
3	5714630	HD-77500/9 CROSSTUBE COVER, PLASTIC	4	A
4	5601272	HD-973 POST TOP PLATE WELDMENT	4	D
5	5880012	LIQUID PTFE THREAD SEALANT 50ml	1	-
6	5595567	CABLE ASSEMBLY Ø10 x 5050mm ST	1	C
7	5595568	CABLE ASSEMBLY Ø10 x 6670mm ST	1	B
8	5595561	CABLE ASSEMBLY Ø10 x 9492mm ST	1	C
9	5595569	CABLE ASSEMBLY Ø10 x 11104mm ST	1	B
10	5570022	HYDRAULIC HOSE ASSEMBLY Ø6.4 x 3380mm	1	G
11	5550395	FTG TEE -04 COMP x -04 COMP x -04 COMP	4	-
12	5550106	FTG ELB -04 JIC x 3/8" NPT	2	-
13	5550486	FTG -02 NPTF x -04 F NPTF, STRAIGHT EXPANDER	1	-
14	5550147	FTG NPL -04 JIC x -04 NPT	2	-
15	5550089	FTG ELB -04 COMP x -06 NPT	2	-
16	5550087	FTG ELB -04 COMP x -02 NPT	1	-
17	5550093	FTG NPL -06 ORB x -04 NPT	1	-
18	5545535	C WASHER SHIM FOR LIFTS	19	-
19	5210243	HD-973 CE PARTS BAG	1	A
20	5530756	HBB M6 x 1.0 x 25mm	8	-
21	5535357	NUT M6 x 1.0 NL, CL10.9	8	-
22	5535354	NUT M12 x 1.75, CL 10.9	24	-
23	5530337	AB 3/4" x 6.3"	8	-
24	5535013	NUT M10 x 1.5 NL, CL10.9	10	-
25	5530217	HBB M10 x 1.5 x 58	2	-
26	5545200	WASHER M10 x Ø18 SL, CL10.9	2	-
27	5545341	WASHER M10 x Ø20 FLAT, CL10.9	18	-
28	5545201	WASHER M12 x 21 SL, CL 10.9	8	-
29	5545347	WASHER M12 x 24 FLAT, CL 10.9	24	-
30	5530009	HBB M12 x 1.75 x 70 CL8.8	8	-
31	5530167	HBB M10 x 1.5 x 45mm	4	-
32	5530748	HBB M10 x 1.5 x 100mmL	4	-
33	5746381	HD 77500/9 3FACER, SAFETY LADDER, 17.5mm LG	8	B
34	5535001	NUT M8 x 1.25 NL, CL10.9	4	-
35	5545340	WASHER M8 x24 FLAT	4	-
36	5530010	HBB M8 x 1.25 x 25mm ZPL	4	-
37	5505031	ROTOR CLIP Ø12mm SS	16	-
38	5216141	FLEX TUBE KIT, UP TO 3000mm	1	A

BP BendPak  
30445 AGOURA RD.  
AGOURA HILLS, CA 91301

DRAWN: TM DATE: 09/21/2023  
CL LKLD

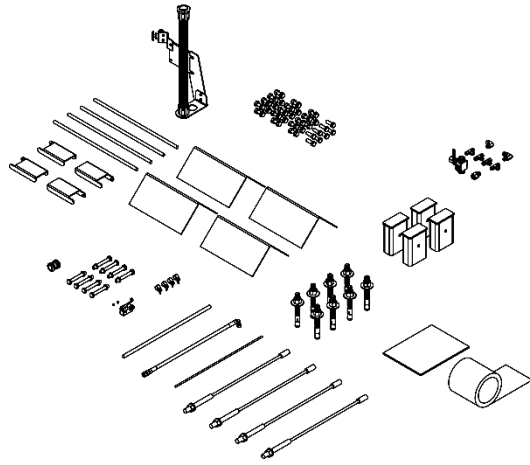
THIRD ANGLE PROJECTION

TITLE: HD-973P PARTS BOX 1, PACKAGE 1  
SIZE: DWG. NO. 5250383 REV. A  
SCALE: 1:20 SHEET 1 OF 2



BP BendPak  
30445 AGOURA RD.  
AGOURA HILLS, CA 91301

TITLE: HD-973P PARTS BOX 1, PACKAGE 1  
SIZE: DWG. NO. 5250383 REV. A  
SCALE: 1:12 SHEET 2 OF 2



WHERE USED  
HD-973P  
PACKAGE #2

- NOTE: UNLESS OTHERWISE SPECIFIED**
- SEE SHIPPING INSTRUCTIONS FOR FINAL PACKAGING
  - (\*) LENGTH FOR REFERENCE ONLY

NEXT ASSEMBLY  
5174100

ITEM NO	PART NUMBER	DESCRIPTION	QTY	REV
1	5535354	NUT M12 x 1.75, CL 10.9	24	-
2	5545347	WASHER M12 x 24 FLAT, CL 10.9	24	-
3	5530076	HHB M12 x 1.75 x 35mm	32	-
4	5570871	HYDRAULIC HOSE ASSEMBLY Ø6.4 x 4166mm	1	B
5	5595055	CABLE ASSEMBLY Ø10 x 12072mm ST	1	F
6	5595449	CABLE ASSEMBLY Ø10 x 10484mm ST	1	C
7	5595053	CABLE ASSEMBLY Ø10 x 1301mm ST	1	F
8	5595467	CABLE ASSEMBLY Ø10 x 5704mm ST	1	C
9	5570795	1/4" POLY-FLO TUBING	40000mm*	-
10	5550334	FTG ELB -06 NPTF x .04 NPTF	1	-
11	5550221	FTG -06 NPTF x -06 F NPTF, STRAIGHT EXPANDER	1	-
12	5550142	FTG NPT -06 ORB x -06 F NPT	1	-
13	5550046	FTG -04 NPT x -04 NPT DIR VLV	1	-
14	5550089	FTG ELB -04 COMP x -06 NPT	1	-
15	5550395	FTG TEE -04 COMP x -04 COMP x -04 COMP	4	-
16	5550044	16mm CUSHIONED LOOP STRAP	4	-
17	5530749	HSDS M6.3 x 1.8 x 20	4	-
18	5530337	A8 3/4" x 6.3"	8	-
19	5530115	BHS 6-32 x 1.25	2	-
20	5535190	HN 6-32	2	-
21	5545024	WASHER, M3 x 9mm FLAT	2	-
22	5530043	SHCS M3 x 0.5 x 30	2	-
23	5535020	NUT M3 x 0.5, NL CL8	2	-
24	5530009	HHB M12 x 1.75 x 90 CL8.8	8	-
25	5545201	WASHER M12 x 21 SL, CL 10.9	8	-
26	5545009	WASHER, M4 x 9mm FLAT	2	-
27	5530008	SHCS M4 x 0.7 x 12 BOC	2	-
28	5535010	NUT M4 x 0.7, NL CL8	2	-
29	5715003	POWER UNIT VIBRATION DAMPENER	1	B
30	5700381	HD-973 FLEX TUBE BRACKET PLATE	1	A
31	5700345	DOUBLE FLEX TUBE ANGLE	1	A
32	5700072	WHEEL CHOCK	4	B
33	5601305	HD-973 POST BASE PLATE TOP CROSSTUBE LANDING PAD WELDMENT	4	A
34	5700031	ZERO ANGLE MOUNTING BRACKET	1	C
35	5590175	PUSH BUTTON AIR VALVE	1	-
36	5216139	FLEX TUBE KIT, UP TO 2000mm	1	A
37	5520001	RUBBER GROMMET, 3/4" I.D.	2	-
38	5525093	SPDT MICRO SWITCH w ROLLER, 250V @ 125VAC	1	-
39	5525112	MICRO SWITCH COVER-SPA2	1	-
40	5520032	WIRE, AWG 14, CAROL, 2C	5800mm*	-
41	5716630	HD-77500/9 CROSSTUBE COVER, PLASTIC	4	A
42	5745014	HD-77500/9, PL-12000 DRIVE UP RAMP PIN	4	B
43	5900078	HD-973 INSTALLATION AND OPERATION MANUAL	1	-
44	5930193	ANTI-SLIP TAPE, 6" x 24ft	1	-

1/8" NOT SCALE DRAWING

DRAWN: TM 09/20/2023

CHECKED: [ ]

THIRD ANGLE PROJECTION

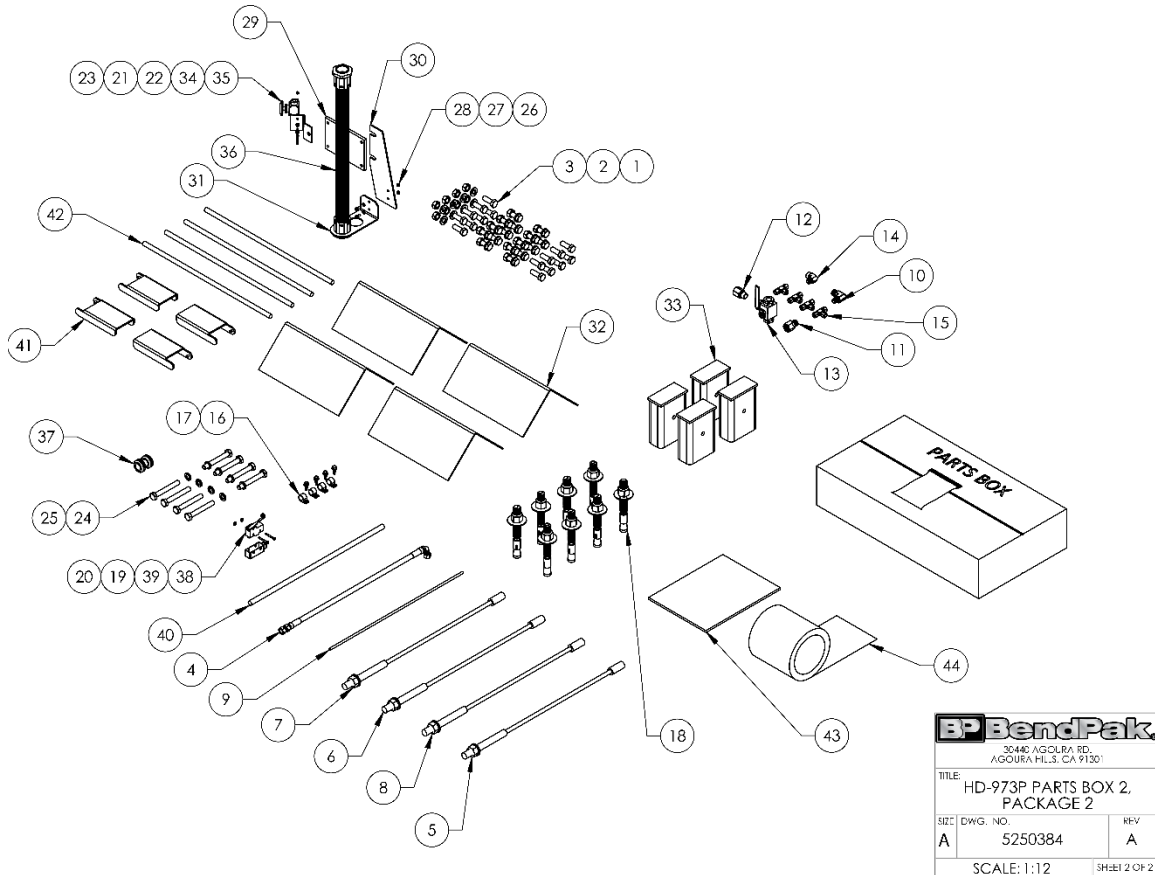
PROPRIETARY AND CONFIDENTIAL  
HD-973P (REV. 2024) IS THE PROPERTY OF BENDPAK INC. ALL RIGHTS RESERVED. NO PARTS MAY BE REPRODUCED OR TRANSMITTED IN ANY FORM OR BY ANY MEANS, ELECTRONIC OR MECHANICAL, WITHOUT PERMISSION FROM BENDPAK INC.

30440 AGOURA RD.  
AGOURA HILLS, CA 91301

TITLE: HD-973P PARTS BOX 2, PACKAGE 2

SIZE: DWG. NO. 5250384 REV A

SCALE: 1:20 SHEET 1 OF 2

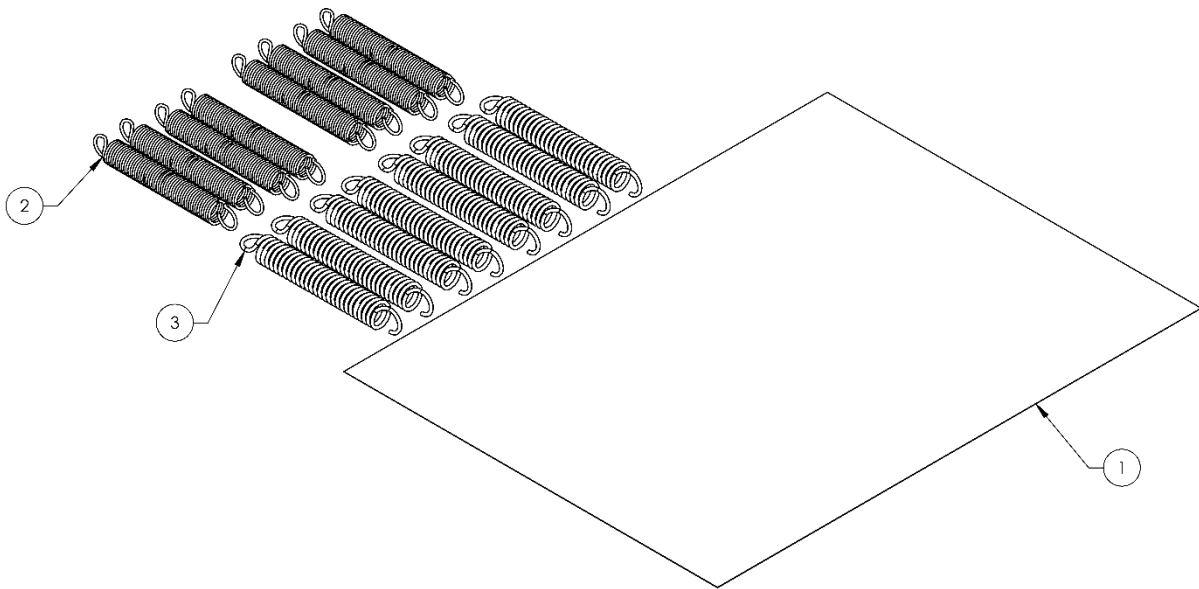


30440 AGOURA RD.  
AGOURA HILLS, CA 91301

TITLE: HD-973P PARTS BOX 2, PACKAGE 2

SIZE: DWG. NO. 5250384 REV A

SCALE: 1:12 SHEET 2 OF 2



WHERE USED  
HD-973 SERIES

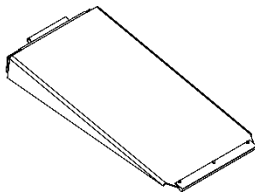
NOTE: UNLESS OTHERWISE SPECIFIED  
1. SEE SHIPPING INSTRUCTIONS FOR FINAL PACKAGING

NEXT ASSEMBLY  
RETROFIT KIT

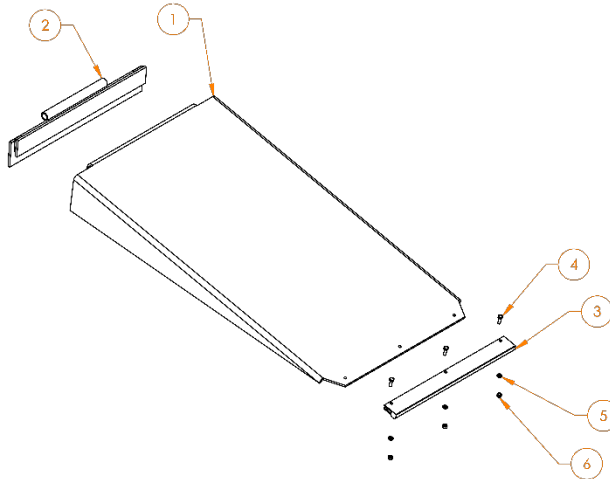
ITEM NO	PART NUMBER	DESCRIPTION	QTY	REV
1	5900247	SAFETY CE KIT INSTALLATION SHEET	1	A
2	5540070	SPRING Ø11mm x 84mm, AIR CYLINDER	8	C
3	5540065	SPRING Ø13mm x 90mm, SLACK SAFETY	8	A

DO NOT SCALE DRAWING	NAME	DATE	 1445 LEMONWOOD DR. SANTA PAULA, CA 93360
	DRAWN TM	07/08/2020	
	CHECKED		TITLE: HD-973 CE PARTS BAG
DIMENSIONS ARE IN MM			SIZE DWG. NO. REV
 THIRD ANGLE PROJECTION			A 5210243 A
 PROPRIETARY AND CONFIDENTIAL THE INFORMATION CONTAINED HEREIN IS THE PROPERTY OF BENDPAK INC. IT IS TO BE USED ONLY FOR THE PURPOSES SPECIFIED HEREIN. IT IS NOT TO BE REPRODUCED OR TRANSMITTED IN ANY FORM OR BY ANY MEANS, ELECTRONIC OR MECHANICAL, INCLUDING PHOTOCOPYING, RECORDING, OR BY ANY INFORMATION STORAGE AND RETRIEVAL SYSTEM.			SCALE: 1:2 SHEET 1 OF 1



ISOMETRIC VIEW  
FOR REFERENCE ONLY  
DO NOT SCALE



WHERE USED  
HD-9 SERIES  
HD-973P SERIES

NOTE: UNLESS OTHERWISE SPECIFIED  
1. ASSEMBLE ITEMS AS SHOWN

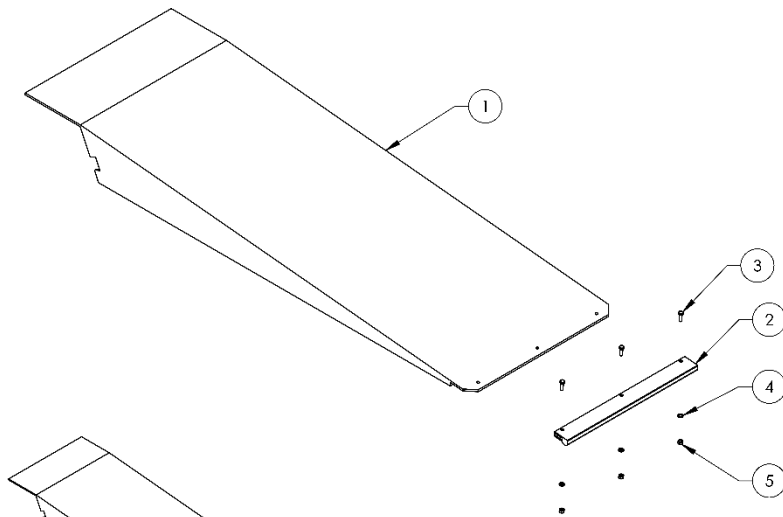
NEXT ASSEMBLY  
ACCESSORY  
5245059  
5245068

ITEM NO	PART NUMBER	DESCRIPTION	QTY	REV
1	5600668	HD-9 ALUMINUM DRIVE UP RAMP WELDMENT	1	C
2	5600722	HD-9 DRIVE UP TIE PLATE WELDMENT	1	A
3	5716054	APPROACH RAMP EDGE GUARD	1	A
4	5530093	HHB M6 x 1 x 20	3	--
5	5545005	M6 FLAT WASHER	3	--
6	5535357	NUT M6 x 1.0 NL	3	--

DO NOT SCALE DRAWING	NAME	DATE	 1445 LEMONWOOD DR. SANTA PAULA, CA 93360
	DRAWN TM	07/27/2010	
	CHECKED CA	07/07/2020	TITLE: HD-9 ALUMINUM APPROACH RAMP ASSEMBLY
DIMENSIONS ARE IN MM			SIZE DWG. NO. REV
 THIRD ANGLE PROJECTION			A 5174220 G
 PROPRIETARY AND CONFIDENTIAL THE INFORMATION CONTAINED HEREIN IS THE PROPERTY OF BENDPAK INC. IT IS TO BE USED ONLY FOR THE PURPOSES SPECIFIED HEREIN. IT IS NOT TO BE REPRODUCED OR TRANSMITTED IN ANY FORM OR BY ANY MEANS, ELECTRONIC OR MECHANICAL, INCLUDING PHOTOCOPYING, RECORDING, OR BY ANY INFORMATION STORAGE AND RETRIEVAL SYSTEM.			SCALE: 1:10 SHEET 1 OF 1





WHERE USED
HD-7 SERIES
HD-9
HD-9AE
HD-9ST
HD-9STX
HD-9TG
HD-9XL
HD-9XW
HD-973 SERIES

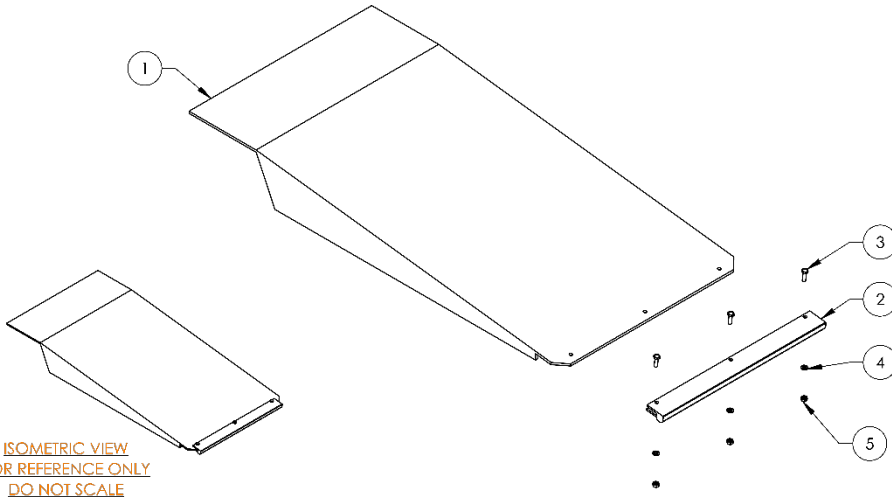
ISOMETRIC VIEW  
FOR REFERENCE ONLY  
DO NOT SCALE

ITEM NO	PART NUMBER	DESCRIPTION	QTY	REV
1	5600209	HD-7/9 EXTENDED DRIVE UP RAMP WELDMENT	1	E
2	5716054	APPROACH RAMP EDGE GUARD	1	A
3	5530093	HHB M6 x 1.0 x 20mm	3	-
4	5545005	WASHER, M6 x 12mm FLAT	3	-
5	5535357	NUT M6 x 1.0 NL	3	-

DO NOT SCALE DRAWING	NAME: AC	DATE: 06/16/2008	
	CHECKED: OR	04/20/2020	
DIMENSIONS ARE IN MM	THIRD ANGLE PROJECTION		
PROPRIETARY AND CONFIDENTIAL THIS INFORMATION IS UNCLASSIFIED BY 2008/06/16/2008 UNLESS INDICATED OTHERWISE BY THE FOLLOWING: 1. THE INFORMATION IS UNCLASSIFIED BY 2008/06/16/2008 2. THE INFORMATION IS UNCLASSIFIED BY 2008/06/16/2008 3. THE INFORMATION IS UNCLASSIFIED BY 2008/06/16/2008			TITLE: HD-7/9 EXTENDED DRIVE UP RAMP ASSEMBLY SIZE: DWG. NO. 5215131 REV. H SCALE: 1:10 SHEET 1 OF 1

NEXT ASSEMBLY
5210055
5245059
5245068
5245144
5245163

- NOTE: UNLESS OTHERWISE SPECIFIED
- REFER TO MODEL FOR ADDITIONAL INFORMATION
  - SEE SHIPPING INSTRUCTIONS FOR FINAL PACKAGING
  - ASSEMBLE ITEMS AS SHOWN



WHERE USED
HD-7 SERIES
HD-7500 SERIES
HD-9
HD-9ST
HD-9STX
HD-9XL
HD-9XW
HD-9EW
HD-973 SERIES

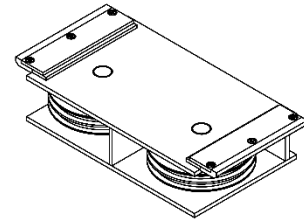
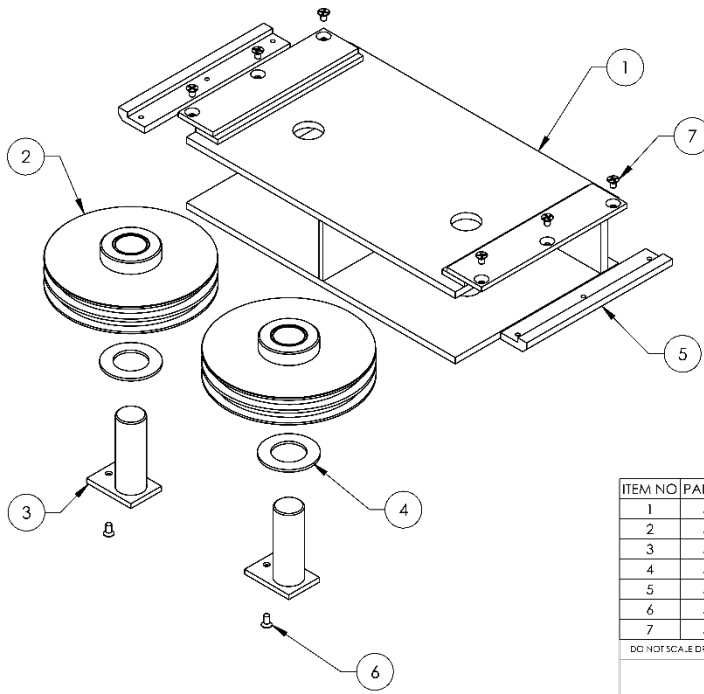
ISOMETRIC VIEW  
FOR REFERENCE ONLY  
DO NOT SCALE

ITEM NO	PART NUMBER	DESCRIPTION	QTY	REV
1	5600891	HD-7/9/7500 DRIVE UP RAMP WELDMENT	1	E
2	5716054	APPROACH RAMP EDGE GUARD	1	A
3	5530093	HHB M6 x 1.0 x 20mm	3	-
4	5545005	WASHER, M6 x 12mm FLAT	3	-
5	5535357	NUT M6 x 1.0, NL CL8	3	-

DO NOT SCALE DRAWING	NAME: AC	DATE: 1/13/2008	
	CHECKED: OR	04/20/2020	
DIMENSIONS ARE IN MM	THIRD ANGLE PROJECTION		
PROPRIETARY AND CONFIDENTIAL THIS INFORMATION IS UNCLASSIFIED BY 2008/06/16/2008 UNLESS INDICATED OTHERWISE BY THE FOLLOWING: 1. THE INFORMATION IS UNCLASSIFIED BY 2008/06/16/2008 2. THE INFORMATION IS UNCLASSIFIED BY 2008/06/16/2008 3. THE INFORMATION IS UNCLASSIFIED BY 2008/06/16/2008			TITLE: HD-7/9/7500BL DRIVE UP RAMP ASSEMBLY SIZE: DWG. NO. 5215193 REV. G SCALE: 1:8 SHEET 1 OF 1

NEXT ASSEMBLY
5245059
5245286
5245391
5245068
5245380
5245392
5245144
5245381
5245393
5245163
5245382
5245395
5245166
5245383
5245243
5245384
5245244
5245385
5245256
5245386
5245257
5245388

- NOTE: UNLESS OTHERWISE SPECIFIED
- REFER TO MODEL FOR ADDITIONAL INFORMATION
  - SEE SHIPPING INSTRUCTIONS FOR FINAL PACKAGING
  - ASSEMBLE ITEMS AS SHOWN



ISOMETRIC VIEW  
FOR REFERENCE ONLY  
DO NOT SCALE

WHERE USED  
HD-973 SERIES

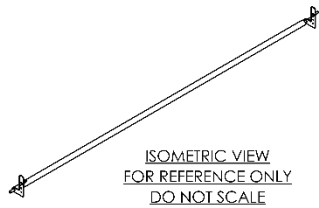
NOTE: UNLESS OTHERWISE SPECIFIED  
1. REFER TO MODEL FOR ADDITIONAL INFORMATION  
2. ASSEMBLE ITEMS AS SHOWN

NEXT ASSEMBLY  
5215817  
5215851

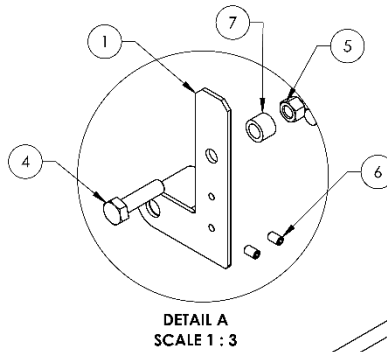
ITEM NO	PART NUMBER	DESCRIPTION	QTY	REV
1	5601301	HD SERIES PULL BOX WELDMENT	1	B
2	5215185	HD-7/7500/973 TWIN SHEAVE ASSEMBLY	2	C
3	5600199	HD-7P/973 PULLBOX PIN WELDMENT	2	B
4	5716160	HD-7/973 PULL BOX SHEAVE WEAR RING	2	A
5	5716047	HD PULLBOX POLYETHYLENE SLIDE BLOCK	2	A
6	5530400	FHPS M6 x 1.0 x 12	2	--
7	5530058	FHPS M6 x 1.0 x 10	6	--

DO NOT SCALE DRAWING	NAME	DATE	 1645 LEMONWOOD DR. SANTA PAULA, CA 93060
	DRAWN	TM	
	CHECKED	OR	07/24/2021
DIMENSIONS ARE IN MM			TITLE: HD-973 PULL BOX ASSEMBLY SIZE: A DWG. NO.: 5215819 REV: D SCALE: 1:5 SHEET 1 OF 1



ISOMETRIC VIEW  
FOR REFERENCE ONLY  
DO NOT SCALE



DETAIL A  
SCALE 1 : 3

WHERE USED  
HD-973P  
HD-973P-G

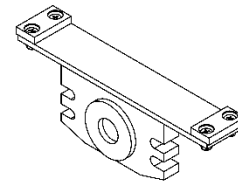
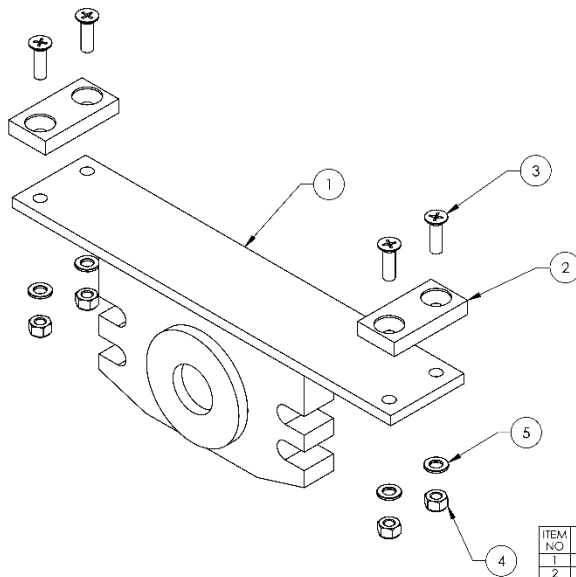
NOTE: UNLESS OTHERWISE SPECIFIED  
1. REFER TO MODEL FOR ADDITIONAL INFORMATION  
2. SEE SHIPPING INSTRUCTIONS FOR FINAL PACKAGING

NEXT ASSEMBLY  
5260242  
5260656

ITEM NO	PART NUMBER	DESCRIPTION	QTY	REV
1	5601297	HD-973 MICRO SWITCH STOP BAR HINGE ARM	1	A
2	5601298	HD-973 MICRO SWITCH STOP BAR WELDMENT	1	A
3	5300008	MICROSWITCH STOP BAR CUSHION, Ø13 x 2200mm	1	A
4	5530740	HHB M10 x 1.5 x 38mm	2	-
5	5535013	NUT M10 x 1.5 NL, CL10.9	2	-
6	5530055	SSS M6x1x10	2	-
7	5755063	HD-973 STOP BAR HINGE ARM SPACER	1	A

DO NOT SCALE DRAWING	NAME	DATE	 1645 LEMONWOOD DR. SANTA PAULA, CA 93060
	DRAWN	TM	
	CHECKED	OR	
DIMENSIONS ARE IN MM			TITLE: HD-973 MICRO SWITCH STOP BAR ASSEMBLY SIZE: A DWG. NO.: 5215818 REV: A SCALE: 1:10 SHEET 1 OF 1



ISOMETRIC VIEW  
FOR REFERENCE ONLY  
DO NOT SCALE

WHERE USED  
HD-973 SERIES

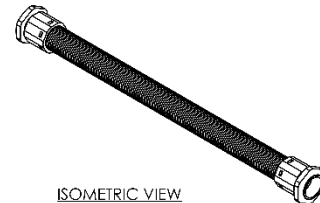
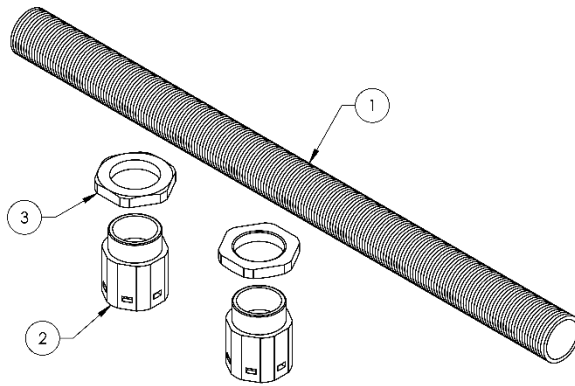
NOTE: UNLESS OTHERWISE SPECIFIED  
1. SEE SHIPPING INSTRUCTIONS FOR FINAL PACKAGING  
2. ASSEMBLE ITEMS AS SHOWN

ITEM NO	PART NUMBER	DESCRIPTION	QTY	REV
1	5201466	HD-973 CYLINDER FLANGE ARM WELDMENT	1	B
2	5715031	HD-7500/9/973 CYLINDER CABLE BLOCK ARM SLIDE	2	B
3	5530244	FHPs M6 x 1 x 20	4	-
4	5535357	NUT M6 x 1.0 NL	4	-
5	5545005	M6 FLAT WASHER	4	-

DRAWN		NAME	DATE	<b>BP BendPak.</b> 1445 LEMONGWOOD DR. SANTA PAULA, CA 93060
CHECKED		OR	05/10/2022	
DIMENSIONS ARE IN MM		THIRD ANGLE PROJECTION		TITLE
NEXT ASSEMBLY		SIZE		DWG. NO.
5215787		A		5215910
5215850		REV		B
		SCALE: 1:2		SHEET 1 OF 1

REVISION				
REV	DESCRIPTION	DATE	EDITED BY	ECO#
A	PRODUCTION RELEASE, DERIVED FROM 5570050, 5570052, 5570239	05/05/2022	TM	01414 PRE A



ISOMETRIC VIEW  
FOR REFERENCE ONLY  
DO NOT SCALE

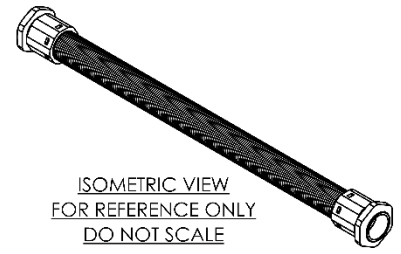
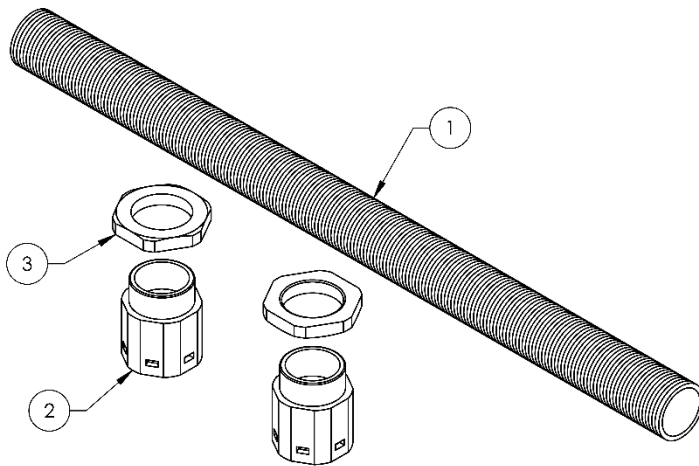
WHERE USED  
D4-12 SERIES  
FL14 SERIES  
HD-14T  
HD-7500 SERIES  
HD-7P  
HD-9 SERIES  
HD-973 SERIES  
HDS-14 SERIES  
HDSO-14 SERIES  
HDS-18/27/40 SERIES

NOTE: UNLESS OTHERWISE SPECIFIED  
1. SEE SHIPPING INSTRUCTIONS FOR FINAL PACKAGING  
2. SHOWN IN REPRESENTATIONAL FORM ONLY  
(\*) LENGTH FOR REFERENCE ONLY

ITEM NO	PART NUMBER	DESCRIPTION	QTY	REV
1	5570053	PE FLEX TUBE Ø34.5xØ29	2100mm*	-
2	5555555	WQG1-M36/AD34.5 CONNECTOR	2	-
3	5535050	PLASTIC NUT M36 x 2	2	-

DRAWN		NAME	DATE	<b>BP BendPak.</b> 1445 LEMONGWOOD DR. SANTA PAULA, CA 93060
CHECKED		OR	05/10/2022	
DIMENSIONS ARE IN MM		THIRD ANGLE PROJECTION		TITLE
NEXT ASSEMBLY		SIZE		DWG. NO.
5250058 5250175 5250289		A		5216139
5250059 5250184 5250270		REV		A
5250079 5250388 5250294		SCALE: 1:3		SHEET 1 OF 1
5250081 5250187 5250295				
5250082 5250188 5250334				
5250143 5250189 5250337				
5250144 5250191 5250338				
5250164 5250193 5250349				
5250167 5250194 5250354				
5250168 5250195 5250359				
5250169 5250278 5250375				
5250172 5250286 5250376				



ISOMETRIC VIEW  
FOR REFERENCE ONLY  
DO NOT SCALE

WHERE USED
HD-7500PBX
HD-7MZ SERIES
HD-7PX SERIES
HD-7PLT
HD-973 SERIES

**NOTE: UNLESS OTHERWISE SPECIFIED**

1. SEE SHIPPING INSTRUCTIONS FOR FINAL PACKAGING
2. SHOWN IN REPRESENTATIONAL FORM ONLY  
(\* )LENGTH FOR REFERENCE ONLY

NEXT ASSEMBLY	
5250081	5250337
5250086	5250341
5250161	5250342
5250166	5250352
5250278	5250353
5250336	5250361

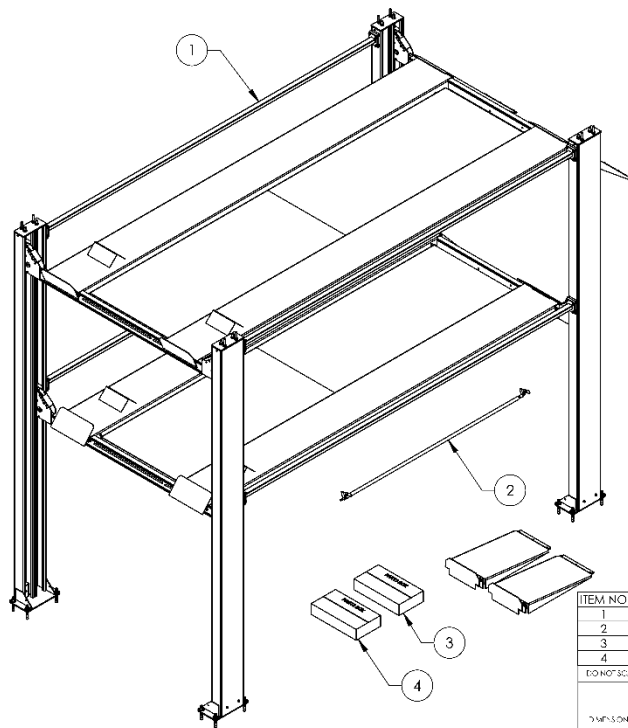
ITEM NO	PART NUMBER	DESCRIPTION	QTY	RE
1	5570053	PE FLEX TUBE Ø34.5xØ29	3100mm*	-
2	5555555	WQG1-M36/AD34.5 CONNECTOR	2	-
3	5535050	PLASTIC NUT M36 x 2	2	-

DO NOT SCALE DRAWING	NAME	DATE	 1645 LEMONWOOD DR. SANTA PAULA, CA 93050
	DRAWN	TM 05/06/2022	
	CHECKED	OR 05/10/2022	TITLE: FLEX TUBE KIT, UP TO 3000mm
			SIZE DWG. NO. REV
			A 5216141 A
			SCALE: 1:3 SHEET 1 C

THIRD ANGLE PROJECTION

PROPRIETARY AND CONFIDENTIAL  
THIS INFORMATION CONTAINED IN THIS DRAWING IS  
THE SOLE PROPERTY OF BENDPAK INC. ANY  
REPRODUCTION IN PART OR AS A WHOLE WITHOUT  
WRITTEN PERMISSION OF BENDPAK INC. IS  
PROHIBITED.

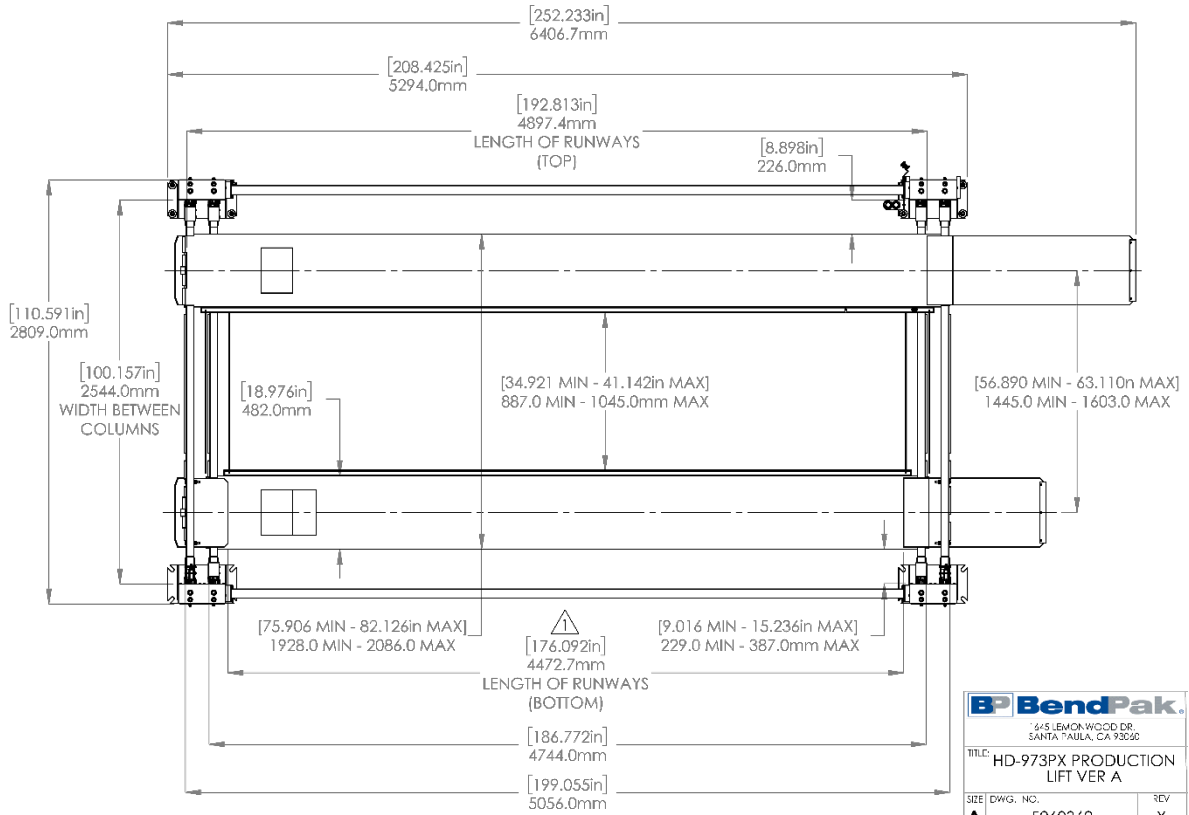


- NOTE: UNLESS OTHERWISE SPECIFIED**
1. REFER TO MODEL FOR ADDITIONAL INFORMATION
  2. SEE SHIPPING INSTRUCTIONS FOR FINAL PACKAGING
  3. SEE COLORS & GRAPHICS FOR LABEL PLACEMENT

ITEM NO.	PART NUMBER	DESCRIPTION	QTY	REV
1	5245068	HD-973PX LIFT SUPERSTRUCTURE	1	R
2	5215852	HD-973PX MICRO SWITCH STOP BAR ASSEMBLY	1	A
3	5250381	HD-973PX PARTS BOX 1, PACKAGE 1	1	A
4	5250382	HD-973PX PARTS BOX 2, PACKAGE 2	1	A

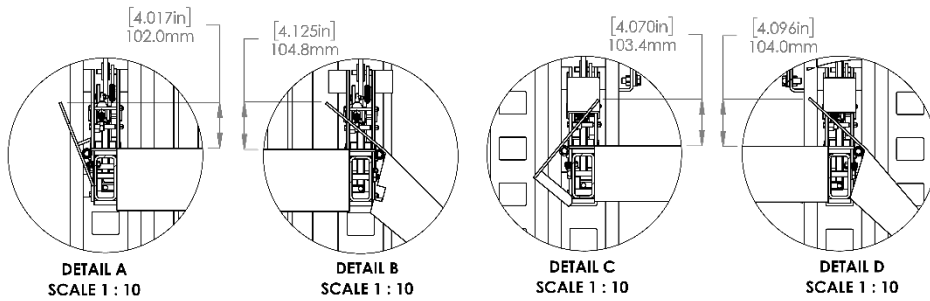
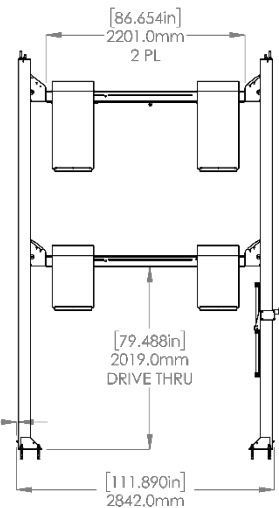
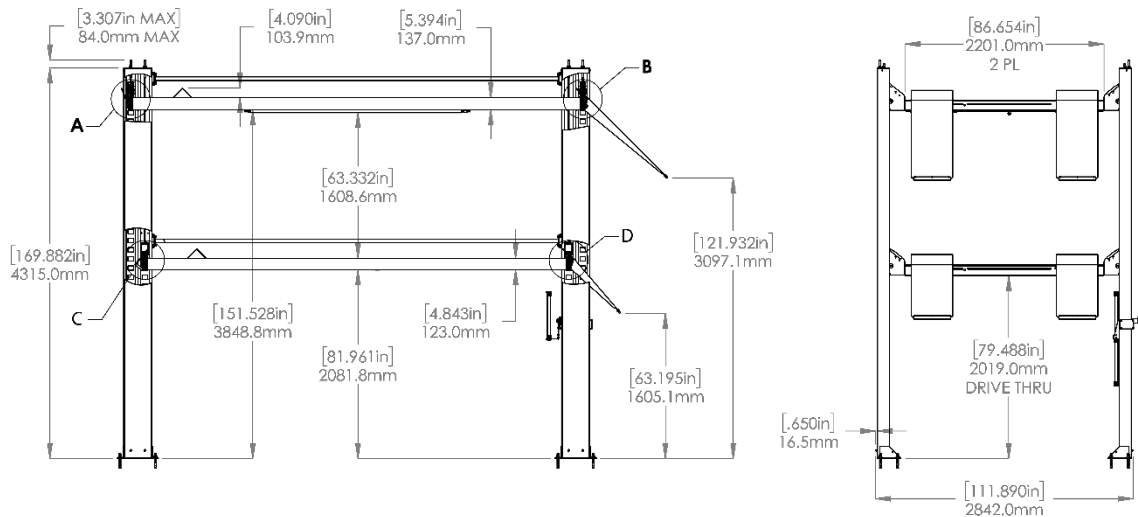
  

ECHO SCALE DRAWING		NAME	DATE
DRAWN		TM	05/08/2019
CHECKED			
THIRD ANGLE PROJECTION			
		<b>BP BendPak</b> 645 LAYONWOOD DR. SANTA PAULA, CA 93050	
PROPRIETARY AND CONFIDENTIAL INFORMATION. USE OF THIS DRAWING IS RESTRICTED TO THE ORIGINAL PURCHASER. ALL RIGHTS RESERVED. © 2019 BENDPAK INC.		TITLE:	HD-973PX PRODUCTION LIFT VER A
SIZE:	AWG. NO.	REV	X
A	5260362	SCALE: 1:40 SHEET 1 OF 5	

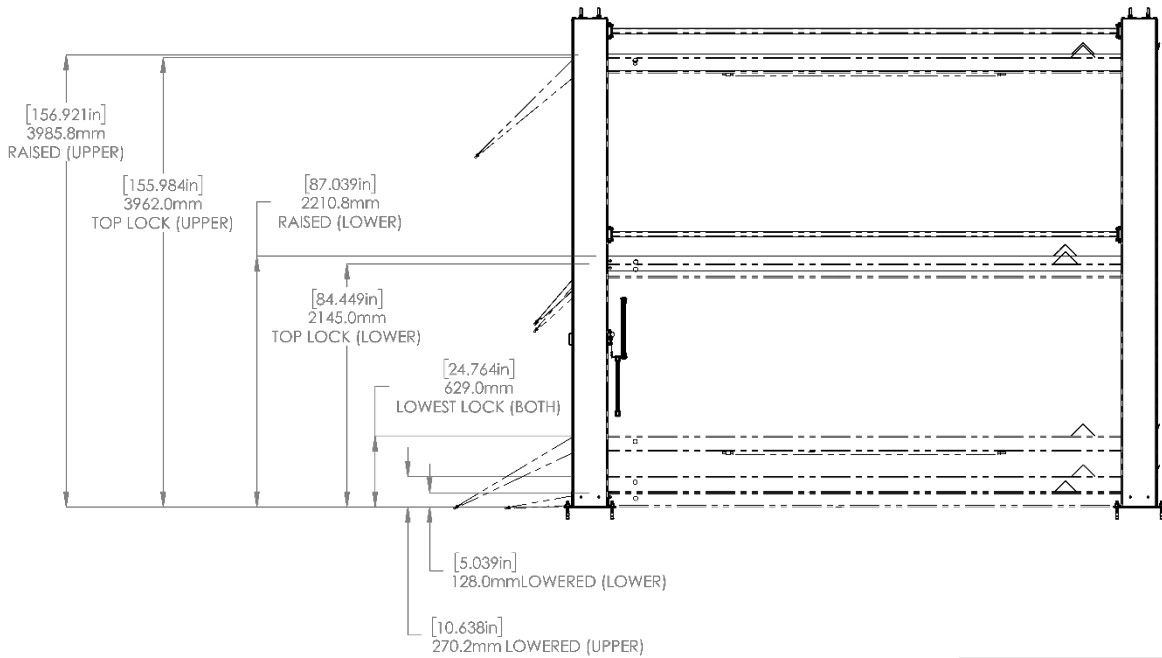


▲ TOP RAMP HIDDEN FOR CLARITY

<b>BP BendPak</b> 645 LAYONWOOD DR. SANTA PAULA, CA 93050	
TITLE: HD-973PX PRODUCTION LIFT VER A	
SIZE:	AWG. NO.
A	5260362
REV	X
SCALE: 1:30 SHEET 2 OF 5	



<b>BendPak</b>		
1645 LEMONWOOD DR. SANTA PAULA, CA 93060		
TITLE: HD-973PX PRODUCTION LIFT VER A		
SIZE	DWG. NO.	REV
<b>A</b>	5260362	X
SCALE: 1:50		SHEET 3 OF 5



- SAFETY LOCK POSITIONS:  
UPPER RAMPS: 34  
LOWER RAMPS: 16
- SPACED EVERY: 101.0mm / 3.976"
- ALL DIMENSIONS SHOWN WITH SAFETY LADDER ADJUSTED ALL THE WAY UP

<b>BendPak</b>		
1645 LEMONWOOD DR. SANTA PAULA, CA 93060		
TITLE: HD-973PX PRODUCTION LIFT VER A		
SIZE	DWG. NO.	REV
<b>A</b>	5260362	X
SCALE: 1:40		SHEET 4 OF 5

5175267 - PACKAGE 1		
PART NUMBER	DESCRIPTION	QTY
5601386	HD-973PX POWER SIDE POST WELDMENT	1
5601387	HD-973PX OFF SIDE POST WELDMENT	1
5216155	HD-7/9/973P, PL-12000 CROSSTUBE ASSEMBLY, SMALL WINDOW	1
5216157	HD-7W/973P CROSSTUBE ASSEMBLY, LARGE WINDOW	1
5716005	CROSSTUBE POLYETHYLENE SLIDE BLOCK	16
5215851	HD-973PX UPPER POWER SIDE RAMP ASSEMBLY	1
5601380	HD-973PX TOP RAMP SAFETY LADDER WELDMENT	4
5545025	WASHER M16 x 30 FLAT, CL 10.9	4
5535008	NUT M16 x 2.0 NL, CL 10.9	4
5535021	NUT M16 x 2.0, CL 10.9	4
5600890	HD-7/7500/9, PL-12000 TIRE STOP PLATE WELDMENT	2
5601389	HD-973PX UPPER OFF SIDE RAMP WELDMENT	1
5601390	HD-973PX STIFFENER TUBE WELDMENT	2
5701783	PLASTIC RAMP COVER, 1040.5mm	8
5701784	PLASTIC RAMP COVER, 1118mm	8
5601356	HD-973 TIRE STOP WELDMENT	2
5174220	HD-9 ALUMINUM APPROACH RAMP ASSEMBLY	2
5735728	HD DROP IN TIRE STOP	2
5250381	HD-973PX PARTS BOX 1, PACKAGE 1	1

5174111 - PACKAGE 2		
PART NUMBER	DESCRIPTION	QTY
5601387	HD-973PX OFF SIDE POST WELDMENT	1
5601390	HD-973PX STIFFENER TUBE WELDMENT	2
5215852	HD-973PX MICRO SWITCH STOP BAR ASSEMBLY	1
5215193	HD-7/9/7500BL DRIVE UP RAMP ASSEMBLY	2
5215131	HD-7/9 EXTENDED DRIVE UP RAMP ASSEMBLY	2
5215850	HD-973PX LOWER POWER SIDE RAMP ASSEMBLY	1
5216156	HD-9/973P, PL-12000 CROSSTUBE ASSEMBLY, LARGE WINDOW	1
5216155	HD-7/9/973P, PL-12000 CROSSTUBE ASSEMBLY, SMALL WINDOW	1
5601383	HD-973PX LOWER OFF SIDE RAMP WELDMENT	1
5601381	HD-973PX LOWER RAMP SAFETY LADDER WELDMENT	4
5601392	HD-973PX OFF SIDE POST WELDMENT, L.H.	1
5535021	NUT M16 x 2.0, CL 10.9	4
5535008	NUT M16 x 2.0 NL, CL 10.9	4
5545025	WASHER M16 x 30 FLAT, CL 10.9	4
5716005	CROSSTUBE POLYETHYLENE SLIDE BLOCK	16
5250382	HD-973PX PARTS BOX 2, PACKAGE 2	1

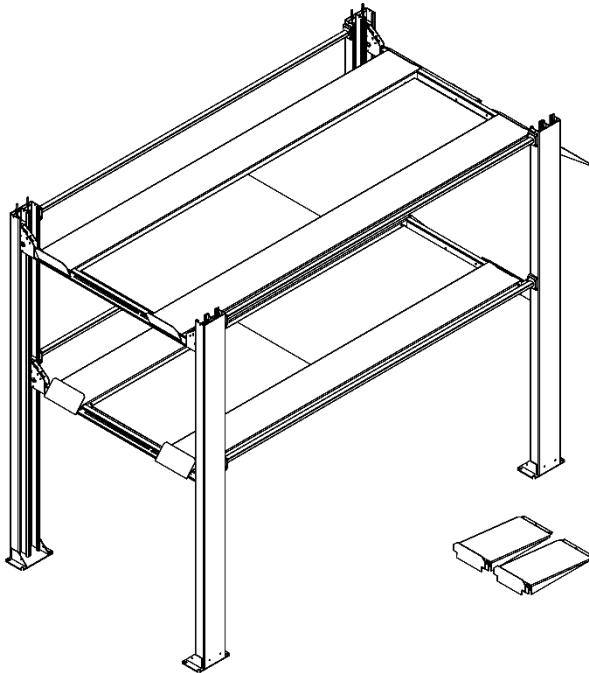
5174124 - PACKAGE 3		
PART NUMBER	DESCRIPTION	QTY
5601384	HD-973PX ALUMINUM SHORT SOLID DECK WELDMENT	1
5601385	HD-973PX ALUMINUM LONG SOLID DECK WELDMENT	3

**BendPak**  
 1645 LEMONWOOD DR.  
 SANTA PAULA, CA 93060

TITLE: HD-973PX PRODUCTION LIFT VER A

SIZE DWG. NO. REV  
 A 5260362 X

SCALE: 1:65 SHEET: 3 OF 3



WHERE USED  
 HD-973PX

- NOTE: UNLESS OTHERWISE SPECIFIED**
- REFER TO MODEL FOR ADDITIONAL INFORMATION
  - SEE SHIPPING INSTRUCTIONS FOR FINAL PACKAGING
  - THREAD M16 HARDWARE ONTO LADDER BOLTS AS SHOWN

NEXT ASSEMBLY  
 5260362

ITEM NO	PART NUMBER	DESCRIPTION	QTY	REV
1	5601386	HD-973PX POWER SIDE POST WELDMENT	1	E
2	5601387	HD-973PX OFF SIDE POST WELDMENT	2	D
3	5601392	HD-973PX OFF SIDE POST WELDMENT, L.H.	1	D
4	5216155	HD-7/9/973P, PL-12000 CROSSTUBE ASSEMBLY, SMALL WINDOW	2	A
5	5216156	HD-9/973P, PL-12000 CROSSTUBE ASSEMBLY, LARGE WINDOW	1	A
6	5216157	HD-7W/973P CROSSTUBE ASSEMBLY, LARGE WINDOW	1	A
7	5601380	HD-973PX TOP RAMP SAFETY LADDER WELDMENT	4	B
8	5601381	HD-973PX LOWER RAMP SAFETY LADDER WELDMENT	4	C
9	5535021	NUT M16 x 2.0	8	-
10	5535008	NUT M16 x 2.0 NL	8	-
11	5545025	WASHER, M16 x 30mm FLAT	8	-
12	5215850	HD-973PX LOWER POWER SIDE RAMP ASSEMBLY	1	G
13	5601383	HD-973PX LOWER OFF SIDE RAMP WELDMENT	1	B
14	5215851	HD-973PX UPPER POWER SIDE RAMP ASSEMBLY	1	H
15	5601389	HD-973PX UPPER OFF SIDE RAMP WELDMENT	1	B
16	5600890	HD-7/7500/9, PL-12000 TIRE STOP PLATE WELDMENT	2	F
17	5601356	HD-973 TIRE STOP WELDMENT	2	B
18	5215131	HD-7/9 EXTENDED DRIVE UP RAMP ASSEMBLY	2	H
19	5174220	HD-9 ALUMINUM APPROACH RAMP ASSEMBLY	2	G
20	5601390	HD-973PX STIFFENER TUBE WELDMENT	4	A
21	5601385	HD-973PX ALUMINUM LONG SOLID DECK WELDMENT	3	B
22	5601384	HD-973PX ALUMINUM SHORT SOLID DECK WELDMENT	1	B
23	5701784	PLASTIC RAMP COVER, 1118mm	8	B
24	5701783	PLASTIC RAMP COVER, 1040.5mm	8	B
25	5215193	HD-7/9/7500BL DRIVE UP RAMP ASSEMBLY	2	G
26	5735728	HD DROP IN TIRE STOP	2	A
27	5716005	CROSSTUBE POLYETHYLENE SLIDE BLOCK	32	M

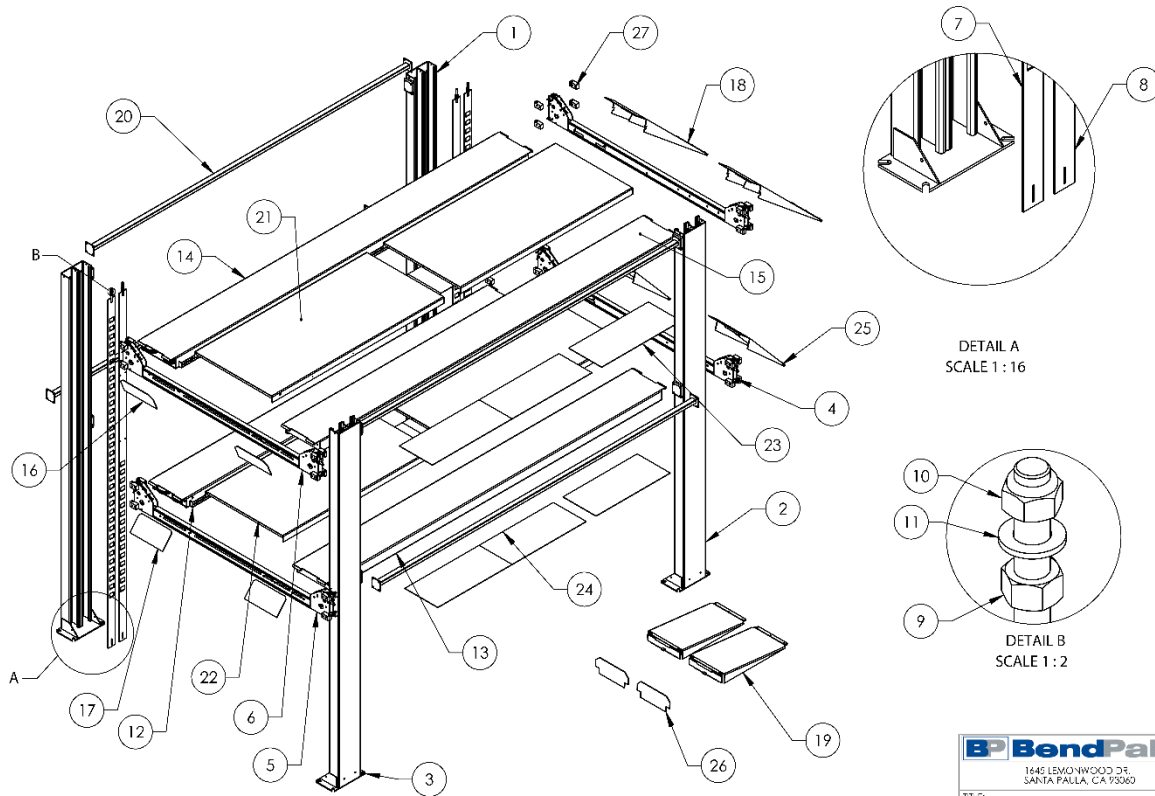
DATE: 05/08/2019

**BendPak**  
 1645 LEMONWOOD DR.  
 SANTA PAULA, CA 93060

TITLE: HD-973PX LIFT SUPERSTRUCTURE

SIZE DWG. NO. REV  
 A 5245068 R

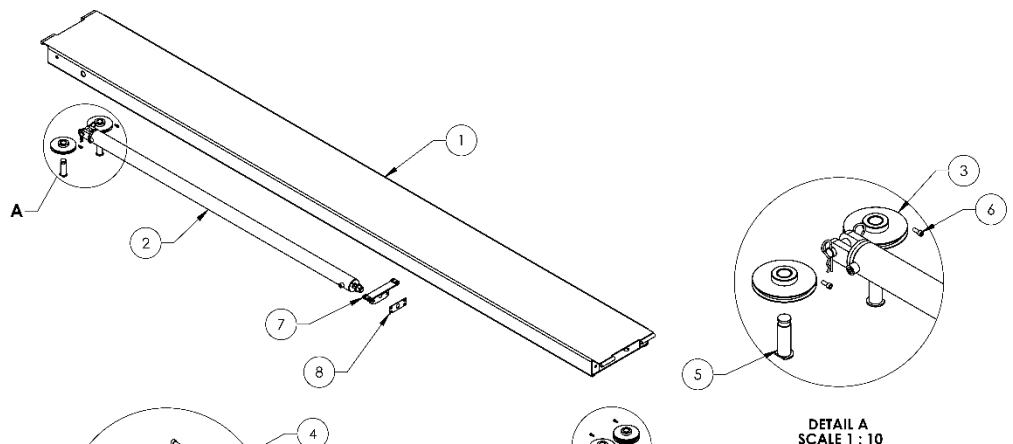
SCALE: 1:50 SHEET: 1 OF 2



DETAIL A  
SCALE 1 : 16

DETAIL B  
SCALE 1 : 2

1445 LEMWOOD DRIVE SANTA ANA, CA 92700	
<b>TITLE: HD-973PX LIFT SUPERSTRUCTURE</b>	
SIZE DWG. NO. <b>A 5245068</b>	REV <b>R</b>
SCALE: 1:45	SHEET 2 OF 2



DETAIL A  
SCALE 1 : 10

DETAIL B  
SCALE 1 : 10

WHERE USED  
HD-973PX

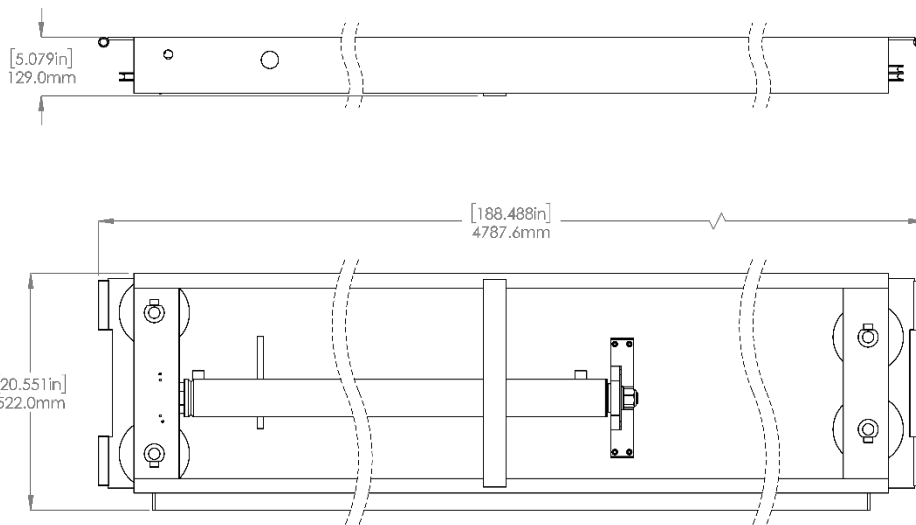
**NOTE: UNLESS OTHERWISE SPECIFIED**  
 1. REFER TO MODEL FOR ADDITIONAL INFORMATION  
 2. SEE SHIPPING INSTRUCTIONS FOR FINAL PACKAGING  
 3. ASSEMBLE ITEMS AS SHOWN

ITEM NO.	PART NUMBER	DESCRIPTION	QTY	REV
1	5601382	HD-973PX LOWER POWER SIDE RAMP WELDMENT	1	D
2	5502038	CYLINDER ASSEMBLY Ø2.75 x 82"	1	D
3	5215122	HD 7/7500/9 SINGLE SHEAVE ROLLER ASSEMBLY	2	E
4	5215123	HD-7500BL/9 TWIN SHEAVE ASSEMBLY	2	E
5	5600900	HD-7/7500/9 RAMP SHEAVE SHAFT WELDMENT	4	E
6	5500776	SHCS M8 x 1.25 x 20mm	4	-
7	5215910	HD-973 CYLINDER FLANGE ARM ASSEMBLY	1	B
8	5731309	CABLE RETAINER PLATE	1	A

NO. NOT SCALE DRAWING	NAME	DATE	
DRAWN	TAA	05/10/2019	
CHECKED			1445 LEMWOOD DRIVE SANTA ANA, CA 92700
DWG/ENG/ISS/ATTN: [SMILEY FACE] THIRD ANGLE PROJECTION	TITLE: HD-973PX LOWER POWER SIDE RAMP ASSEMBLY		SIZE DWG. NO.: <b>A 5215850</b>
NEXT ASSEMBLY 5245068	SCALE: 1:25		REV <b>G</b>
			SHEET 1 OF 2



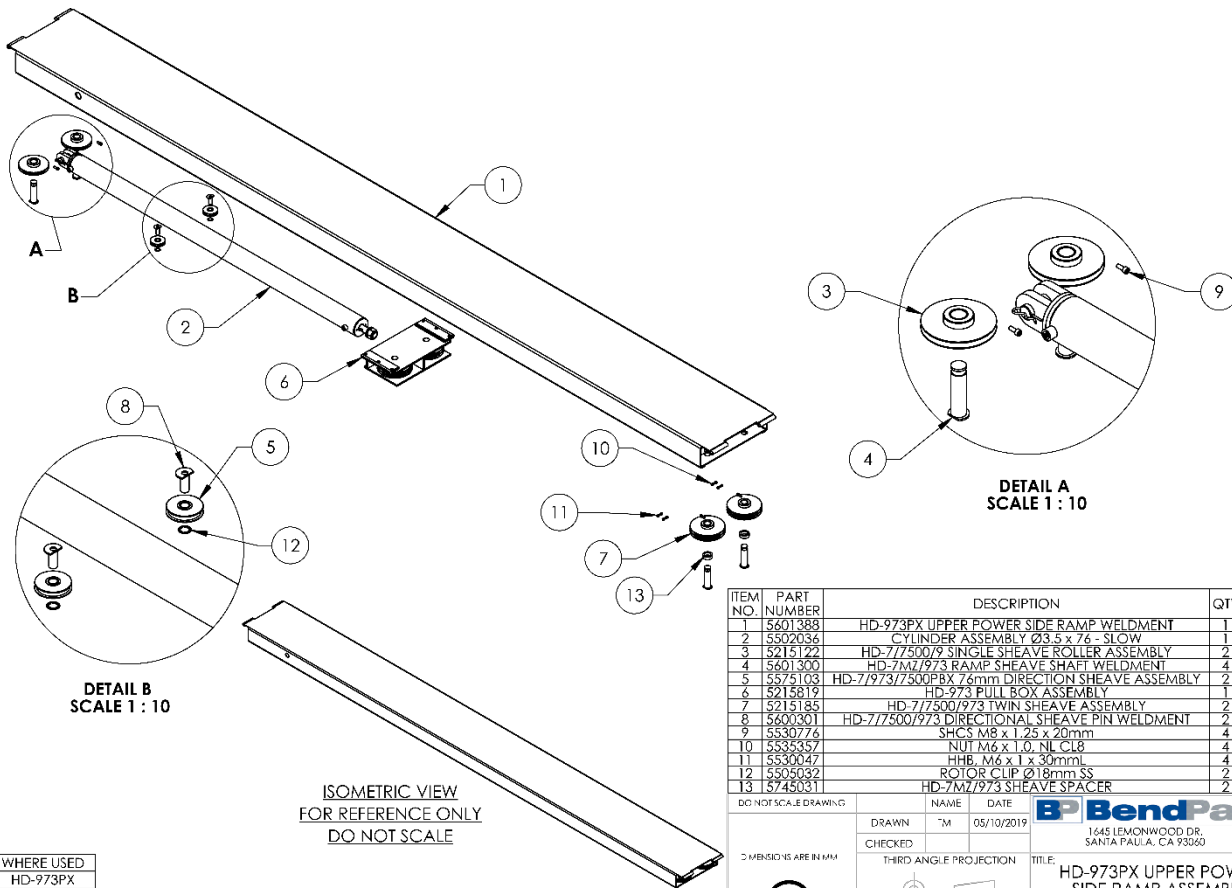


**BendPak**  
 1645 LEMONWOOD DR.  
 SANTA PAULA, CA 93060

TITLE: HD-973PX LOWER POWER SIDE RAMP ASSEMBLY

SIZE DWG. NO. REV  
 A 5215850 G

SCALE: 1:10 SHEET 2 OF 2



ITEM NO.	PART NUMBER	DESCRIPTION	QTY	REV
1	5601388	HD-973PX UPPER POWER SIDE RAMP WELDMENT	1	D
2	5502036	CYLINDER ASSEMBLY Ø3.5 x 76 - SLOW	1	D
3	5215122	HD-77500/9 SINGLE SHEAVE ROLLER ASSEMBLY	2	E
4	5601300	HD-7M/973 RAMP SHEAVE SHAFT WELDMENT	4	B
5	5575103	HD-7/973/7500PBX 76mm DIRECTION SHEAVE ASSEMBLY	2	F
6	5215819	HD-973 PULL BOX ASSEMBLY	1	D
7	5215185	HD-77500/973 TWIN SHEAVE ASSEMBLY	2	C
8	5600301	HD-77500/973 DIRECTIONAL SHEAVE PIN WELDMENT	2	C
9	5530776	SHCS M8 x 1.25 x 20mm	4	-
10	5533357	NUT M6 x 1.0 NL CL8	4	-
11	5530047	HHB, M6 x 1 x 30mm	4	-
12	5505032	ROTOR CLIP Ø18mm SS	2	-
13	5745031	HD-7M/973 SHEAVE SPACER	2	A

DO NOT SCALE DRAWING

DRAWN: TM DATE: 05/10/2019

CHECKED: \_\_\_\_\_

THIRD ANGLE PROJECTION

PROPRIETARY AND CONFIDENTIAL  
 THE INFORMATION CONTAINED HEREIN IS UNCLASSIFIED  
 EXCEPT WHERE SHOWN OTHERWISE AND IS TO BE KEPT OUT  
 OF THE PUBLIC DOMAIN BY BENDPAK INC. © 2019

**BendPak**  
 1645 LEMONWOOD DR.  
 SANTA PAULA, CA 93060

TITLE: HD-973PX UPPER POWER SIDE RAMP ASSEMBLY

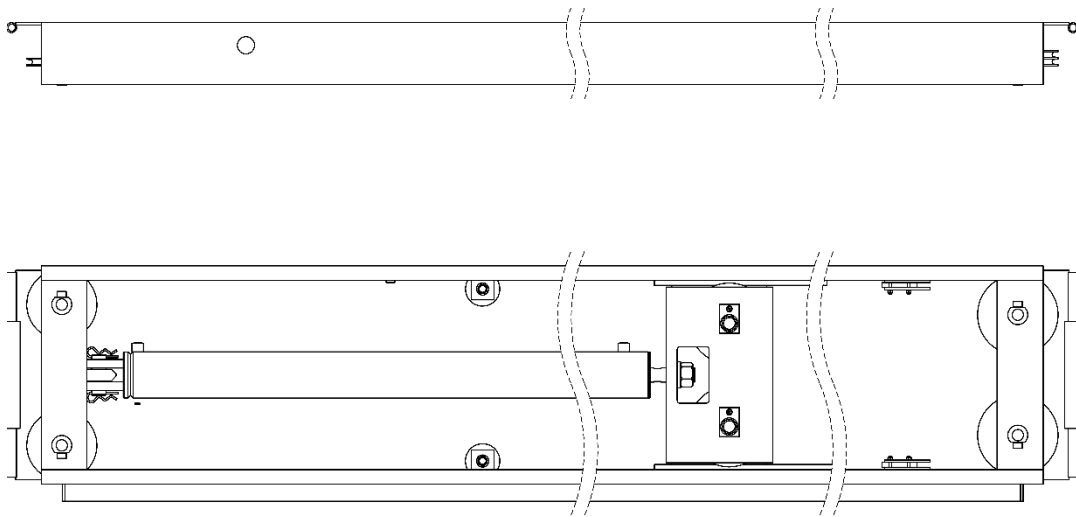
SIZE DWG. NO. REV  
 A 5215851 H

SCALE: 1:25 SHEET 1 OF 2

WHERE USED  
 HD-973PX

NOTE: UNLESS OTHERWISE SPECIFIED  
 1. SEE SHIPPING INSTRUCTIONS FOR FINAL PACKAGING  
 2. ASSEMBLE ITEMS AS SHOWN

NEXT ASSEMBLY  
 5245068

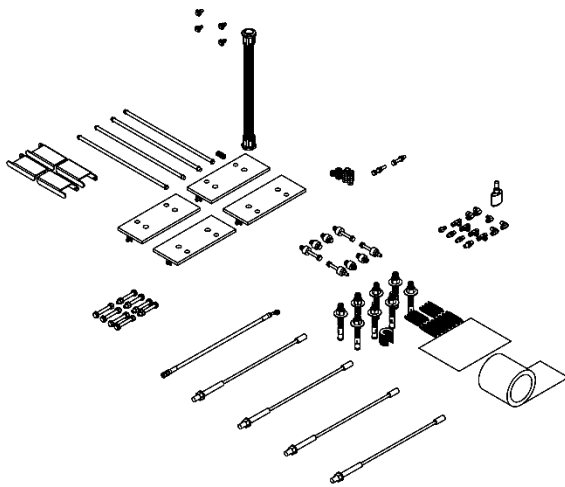


**BP BendPak.**  
1645 HEMLOCKWOOD DR.  
SANTA PAULA, CA 93060

TITLE:  
**HD-973PX UPPER POWER  
SIDE RAMP ASSEMBLY**

SIZE DWG. NO. REV  
**A 5215851 H**

SCALE: 1:10 SHEET 2 OF 2



ITEM NO	PART NUMBER	DESCRIPTION	QTY	REV
1	5930195	ANTI-SLIP TAPE, 6" x 24ft	1	-
2	5745014	HD-7/7500/9. PL-12000 DRIVE UP RAMP PIN	4	B
3	5716630	HD-7/7500/9 CROSSTUBE COVER, PLASTIC	4	A
4	5601272	HD-973 POST TOP PLATE WELDMENT	4	D
5	5580012	LIQUID PTFE THREAD SEALANT 50ml	1	-
6	5595590	CABLE ASSEMBLY Ø10 x 5940mm ST	1	C
7	5595591	CABLE ASSEMBLY Ø10 x 7538mm ST	1	C
8	5595592	CABLE ASSEMBLY Ø10 x 10990mm ST	1	C
9	5595593	CABLE ASSEMBLY Ø10 x 12578mm ST	1	C
10	5570232	HYDRAULIC HOSE ASSEMBLY Ø6.4 x 4605mm SB	1	B
11	5550395	FTG TEE -04 COMP x -04 COMP x -04 COMP	4	-
12	5550106	FTG ELB -04JIC x 3/8" NPT	2	-
13	5550486	FTG -02 NPTF x -04 F NPTF, STRAIGHT EXPANDER	1	-
14	5550147	FTG NPL -04 JIC x -04 NPT	2	-
15	5550089	FTG ELB -04 COMP x -06 NPT	2	-
16	5550087	FTG ELB -04 COMP x -02 NPT	1	-
17	5550093	FTG NPL -06 ORB x -04 NPT	1	-
18	5545535	C WASHER SHIM FOR LIFTS	19	-
19	5210243	HD-973 CE PARTS BAG	1	A
20	5530756	HHB M6 x 1.0 x 25mm	8	-
21	5535357	NUT M6 x 1.0 NL, CL10.9	8	-
22	5535354	NUT M12 x 1.75, CL 10.9	24	-
23	5530337	AB 3/4" x 6.3"	8	-
24	5535013	NUT M10 x 1.5 NL, CL10.9	10	-
25	5530217	HHB M10 x 1.5 x 58	2	-
26	5545200	WASHER M10 x Ø18 SL, CL10.9	2	-
27	5545341	WASHER M10 x Ø20 FLAT, CL10.9	18	-
28	5545201	WASHER M12 x 21 SL, CL 10.9	8	-
29	5545347	WASHER M12 x 24 FLAT, CL 10.9	24	-
30	5530009	HHB M12 x 1.75 x 90 CL8.8	8	-
31	5530167	HHB M10 x 1.5 x 45mm	4	-
32	5530748	HHB M10 x 1.5 x 100mmL	4	-
33	5746381	HD-7/7500/9 SPACER, SAFETY LADDER, 17.5mm LG	8	B
34	5535001	NUT M8 x 1.25 NL, CL10.9	4	-
35	5545340	WASHER M8 x24 FLAT	4	-
36	5530010	HHB M8 x 1.25 x 25mm ZPL	4	-
37	5505031	ROTOR CLIP Ø12mm SS	16	-
38	5216141	FLEX TUBE KIT, UP TO 3000mm	1	A

WHERE USED  
HD-973PX  
PACKAGE #1

**NOTE: UNLESS OTHERWISE SPECIFIED**  
1. SEE SHIPPING INSTRUCTIONS FOR FINAL PACKAGING

NEXT ASSEMBLY  
5175267

30 NO. SCALE DRAWING

DRAWN NAME DATE  
IM 09/25/2023

CHECKED

THIRD ANGLE PROJECTION

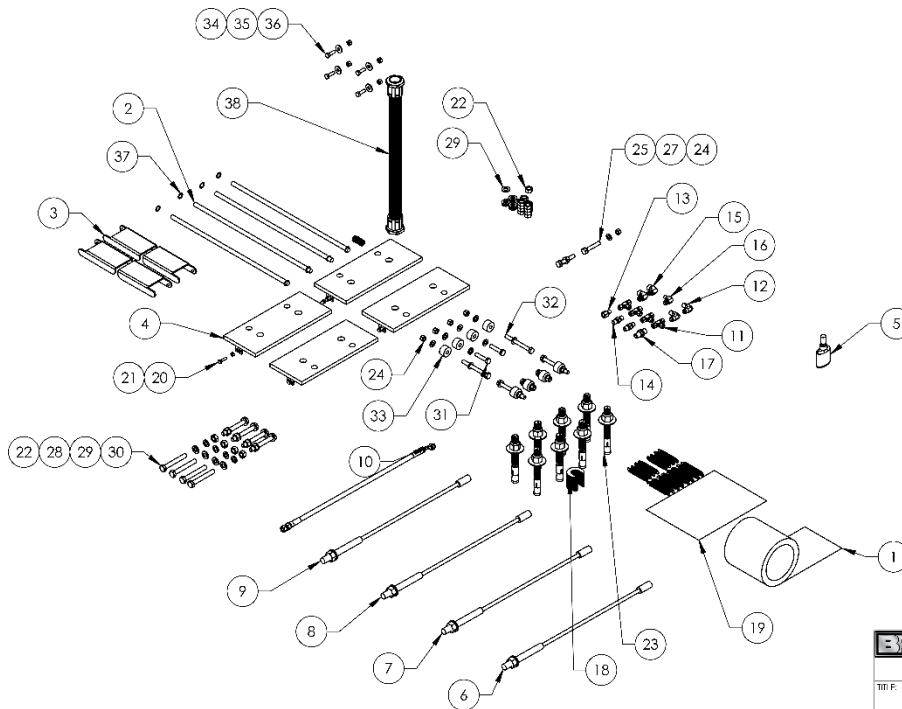
PROPRIETARY AND CONFIDENTIAL  
THE INFORMATION CONTAINED ON THIS DRAWING IS THE PROPERTY OF BENDPAK INC. ANY REPRODUCTION IN ANY FORM OR AS A WORK-ALIKE WITHOUT THE WRITTEN PERMISSION OF BENDPAK INC. IS PROHIBITED.

**BP BendPak.**  
30440 AGOURA RD.  
AGOURA HILLS, CA 91301

TITLE:  
**HD-973PX PARTS BOX 1,  
PACKAGE 1**

SIZE DWG. NO. REV  
**A 5250381 A**

SCALE: 1:20 SHEET 1 OF 2

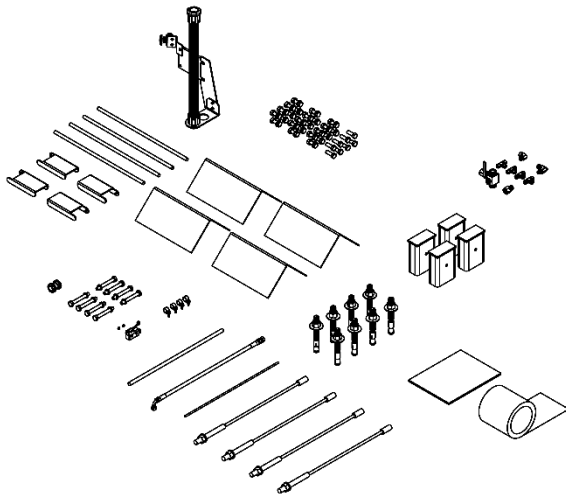


**BendPak**  
 30440 AGOURA RD.  
 AGOURA HILLS, CA 91301

TITLE: HD-973PX PARTS BOX 1, PACKAGE 1

5791 DWG. NO. A 5250381 REV A

SCALE: 1:12 SHEET 1 OF 2



ITEM NO	PART NUMBER	DESCRIPTION	QTY	REV
1	5535354	NUT M12 x 1.75, CL 10.9	24	-
2	5545347	WASHER M12 x 24 FLAT, CL 10.9	24	-
3	5530076	HHB M12 x 1.75 x 35mm	32	-
4	5570231	HYDRAULIC HOSE ASSEMBLY Ø6.4 x 3820mm	1	A
5	5595597	CABLE ASSEMBLY Ø10 x 11315mm ST	1	D
6	5595596	CABLE ASSEMBLY Ø10 x 9726mm ST	1	C
7	5595595	CABLE ASSEMBLY Ø10 x 6638mm ST	1	C
8	5595594	CABLE ASSEMBLY Ø10 x 5012mm ST	1	D
9	5570795	1/4" POLY-FLO TUBING	40000mm*	-
10	5550334	FTG ELB -06 NPTF x -04 NPTF	1	-
11	5550221	FTG -06 NPTF x -06 F NPTF, STRAIGHT EXPANDER	1	-
12	5550142	FTG NPT -06 ORB x -06 F NPT	1	-
13	5550068	FTG -04 NPT x -04 NPT x -04 NPT DIR VLV	1	-
14	5550092	FTG ELB -04 COMP x -06 NPT	1	-
15	5550395	FTG TEE -04 COMP x -04 COMP x -04 COMP	4	-
16	5550064	16mm CUSHIONED LOOP STRAP	4	-
17	5530749	HSDS M6.3 x 1.8 x 20	4	-
18	5530337	AB 3/4" x 6.3"	8	-
19	5530115	BHS 6-32 x 1.25	2	-
20	5535190	HN 6-32	2	-
21	5545024	WASHER, M3 x 9mm FLAT	2	-
22	5530043	SHCS M3 x 0.5 x 30	2	-
23	5535020	NUT M3 x 0.5, NL CL8	2	-
24	5530009	HHB M12 x 1.75 x 90 CL8.8	8	-
25	5545201	WASHER M12 x 21 SL, CL 10.9	8	-
26	5545009	WASHER, M4 x 9mm FLAT	2	-
27	5530008	SHCS M4 x 0.7 x 12 BCC	2	-
28	5535010	NUT M4 x 0.7, NL CL8	2	-
29	5715003	POWER UNIT VIBRATION DAMPENER	1	B
30	5700381	HD-973 FLEX TUBE BRACKET PLATE	1	A
31	5700365	DOUBLE FLEX TUBE ANGLE	1	A
32	5700072	WHEEL CHOCK	4	B
33	5601305	HD-973 POST BASE PLATE TOP CROSSTUBE LANDING PAD WELDMENT	4	A
34	5700031	ZERO ANGLE MOUNTING BRACKET	1	C
35	5590175	PUSH BUTTON AIR VALVE	1	-
36	5216139	FLEX TUBE KIT, UP TO 2000mm	1	A
37	5520001	RUBBER GROMMET, 3/4 I.D.	2	A
38	5525093	SPDT MICRO SWITCH w ROLLER, 25A@125VAC	1	-
39	5525112	MICRO SWITCH COVER-SPA2	1	-
40	5520032	WIRE, AWG 14, CAROL, 2C	5800mm*	-
41	5716630	HD-7/7500/9 CROSSTUBE COVER, PLASTIC	4	A
42	5745014	HD-7/7500/9, PL-12000 DRIVE UP RAMP PIN	4	B
43	5900076	HD-973 INSTALLATION AND OPERATION MANUAL	1	-
44	5930195	ANTI-SLIP TAPE, 6" x 24ft	1	-

WHERE USED  
 HD-973PX  
 PACKAGE #2

- NOTE: UNLESS OTHERWISE SPECIFIED
- SEE SHIPPING INSTRUCTIONS FOR FINAL PACKAGING
  - (\* ) LENGTH FOR REFERENCE ONLY

NEXT ASSEMBLY  
 5174111

DO NOT SCALE DRAWING

DRAWN NAME DATE  
 TM 09/28/2023

CHECKED

DIMENSIONS ARE IN MM

THIRD ANGLE PROJECTION

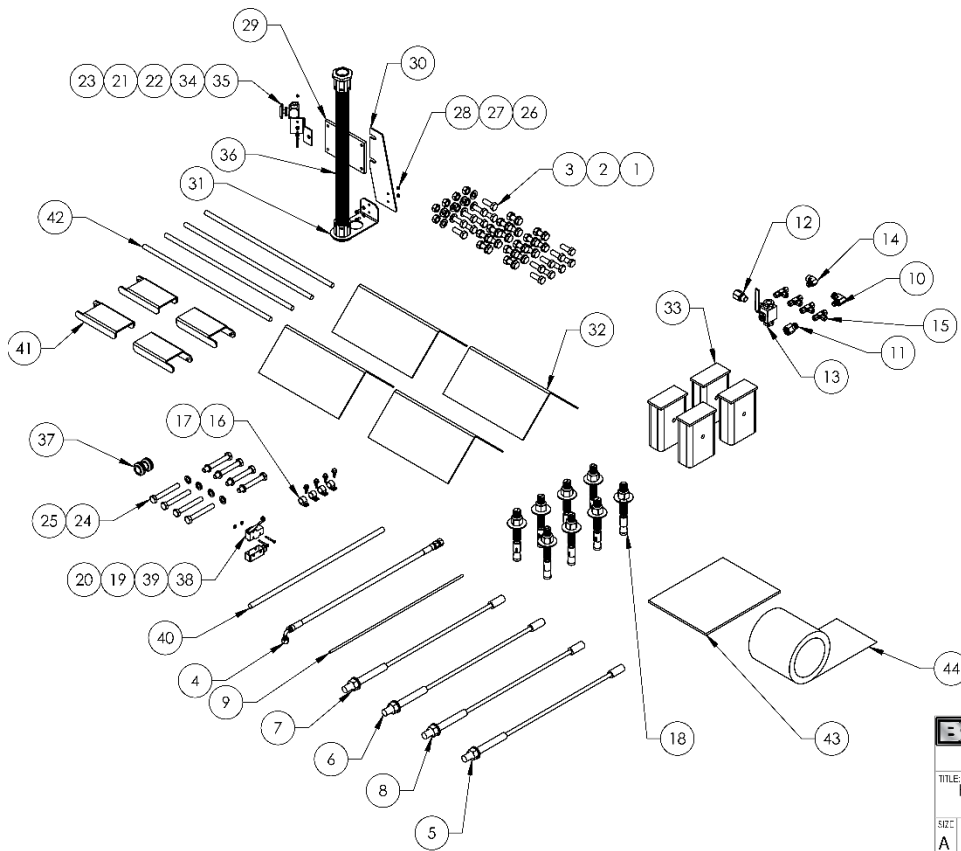
PROPRIETARY AND CONFIDENTIAL  
 THE INFORMATION CONTAINED IN THIS DRAWING IS THE PROPERTY OF BENDPAK INC. NO PARTS OR INFORMATION MAY BE REPRODUCED OR TRANSMITTED IN ANY FORM OR BY ANY MEANS WITHOUT THE WRITTEN PERMISSION OF BENDPAK INC.

**BendPak**  
 30440 AGOURA RD.  
 AGOURA HILLS, CA 91301

TITLE: HD-973PX PARTS BOX 2, PACKAGE 2

SIZE: DWG. NO. A 5250382 REV A

SCALE: 1:20 SHEET 1 OF 2

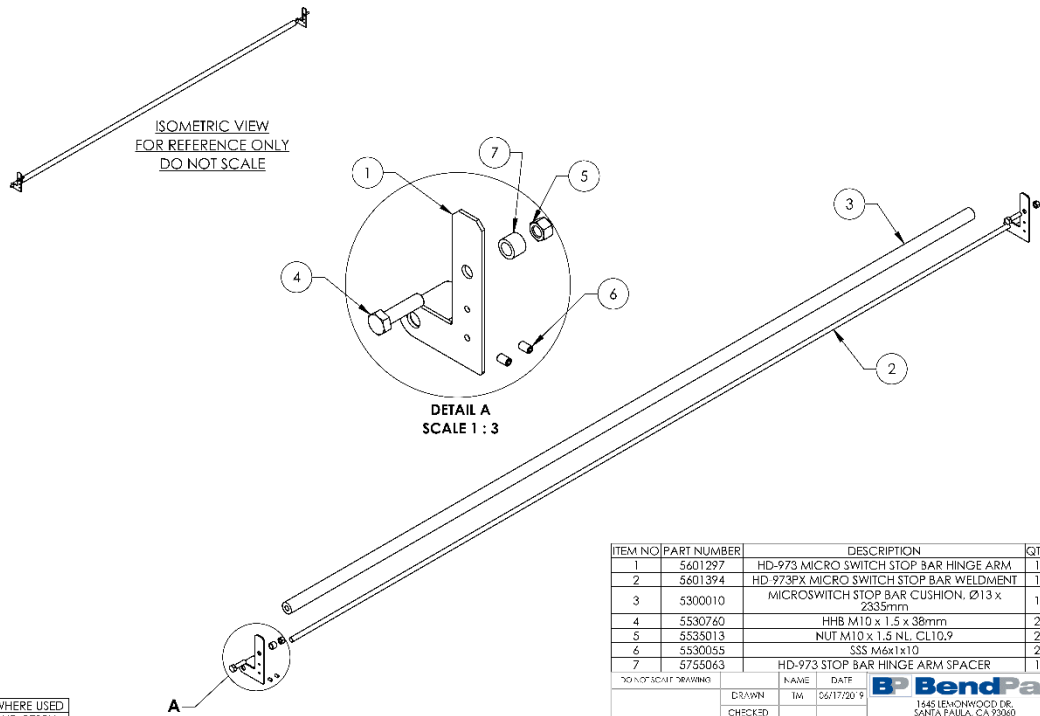


**BP BendPak**  
 30440 AGOURA RD.  
 AGOURA HILLS, CA 91301

TITLE: HD-973PX PARTS BOX 2, PACKAGE 2

SIZE: A DWG. NO: 5250382 REV: A

SCALE: 1:12 SHEET 2 OF 2



WHERE USED
HD-973PX
HD-973PX-G

- NOTE: UNLESS OTHERWISE SPECIFIED . . .
- REFER TO MODEL FOR ADDITIONAL INFORMATION
  - SEE SHIPPING INSTRUCTIONS FOR FINAL PACKAGING

NEXT ASSEMBLY
5260362
5260657

ITEM NO	PART NUMBER	DESCRIPTION	QTY	REV
1	5601297	HD-973 MICRO SWITCH STOP BAR HINGE ARM	1	A
2	5601394	HD-973PX MICRO SWITCH STOP BAR WELDMENT	1	A
3	5300010	MICROSWITCH STOP BAR CUSHION, Ø13 x 2335mm	1	A
4	5530760	HHB M10 x 1.5 x 38mm	2	-
5	5535013	NUT M10 x 1.5 NL CL10,9	2	-
6	5530055	SSS M6x1x10	2	-
7	5755063	HD-973 STOP BAR HINGE ARM SPACER	1	A

NO NOT SCHEMATIC DRAWING

DATE: 06/17/2019

DESIGNED BY: TBA

CHECKED BY: TBA

THIRD ANGLE PROJECTION

PROPERTY AND CONFIDENTIAL: BENDPAK INC. 1545 LEWISWOOD DR. SANTA PAULA, CA 93060

SCALE: 1:10

SHEET 1 OF 1







---

**BendPak**®

1645 Lemonwood Drive  
Santa Paula, CA, 93060 USA  
[bendpak.com](http://bendpak.com)

---

© 2024 BendPak Inc. All rights reserved.