



PLEASE READ THE ENTIRE CONTENTS OF THIS MANUAL PRIOR TO INSTALLATION AND OPERATION. BY PROCEEDING YOU AGREE THAT YOU FULLY UNDERSTAND AND COMPREHEND THE FULL CONTENTS OF THIS MANUAL. FORWARD THIS MANUAL TO ALL OPERATORS. FAILURE TO OPERATE THIS EQUIPMENT AS DIRECTED MAY CAUSE INJURY OR DEATH.

REV A 01-07-16

P/N: 5900965

INSTALLATION AND OPERATION MANUAL

9 GALLON UPRIGHT PORTABLE OIL DRAIN

Model:
RD-9G



Keep this operation manual near the machine at all times. Make sure that ALL USERS read this manual.

SHIPPING DAMAGE CLAIMS

When this equipment is shipped, title passes to the purchaser upon receipt from the carrier. Consequently, claims for the material damaged in shipment must be made by the purchaser against the transportation company at the time shipment is received.

BE SAFE

Ranger™ Oil Drains are designed and built with safety in mind. However, proper training and thoughtful operation on the part of the operator can increase your overall safety. DO NOT operate or repair this equipment without reading this manual and the important safety instructions shown inside.



1645 Lemonwood Dr.
Santa Paula, CA. 93060, USA
Tel: 1-805-933-9970
Toll Free: 1-800-253-2363
Fax: 1-805-933-9160
www.rangerproducts.com



THIS OPERATING MANUAL CONTAINS IMPORTANT DETAILS CONCERNING THE SAFE OPERATION OF THIS EQUIPMENT. THE USER MUST READ AND UNDERSTAND THESE DETAILS BEFORE ANY USE OF THE EQUIPMENT. THIS MANUAL MUST BE RETAINED FOR FUTURE REFERENCE.

OWNER/OPERATOR RESPONSIBILITY:

The owner and/or operator shall study the product instructions and retain them for future reference.

The owner and/or operator shall have an understanding of the product operating instructions and warnings before operating the equipment.

Warning information shall be emphasized and understood. If the operator is not fluent in English, the product instructions and warnings shall be read to and discussed with the operator in the operator's native language by the purchaser/ owner or his designee, making sure that the operator comprehends its contents.



INSPECTION

Visual inspection should be made before each use of the Oil Drain. This inspection should check for abnormal conditions such as cracked welds, leaks, and damaged, loose or missing parts.

Any product that appears to be damaged in any way, is found to be worn or operated abnormally, must be removed from service immediately.

Any product that operates abnormally shall be removed from service until repaired by a qualified repair service center.

If the product is accidentally subjected to an abnormal load or shock, it must be taken out of service immediately and be inspected by a qualified repair or service center.

It is recommended that an annual inspection is performed on the Oil Drain and that any damaged or worn parts, decals or warning labels be replaced with manufacturer's specified parts.



ALTERATIONS

Because of potential hazards associated with this type of equipment, no alterations shall be made to the product.

FOR YOUR SAFETY AND TO PREVENT INJURY:



DO NOT EXCEED RATED CAPACITY. OVERLOADING CAN CAUSE DAMAGE TO OR FAILURE OF THE OIL DRAIN.

KEEP HANDS AND BODY CLEAR OF ALL PINCH POINTS.

THIS OIL DRAIN IS DESIGNED FOR USE ONLY ON HARD LEVEL SURFACES CAPABLE OF SUSTAINING THE LOAD. USE ON OTHER THAN HARD LEVEL SURFACES CAN RESULT IN INSTABILITY AND POSSIBLE LOSS OF LOAD.

READ, STUDY AND UNDERSTAND THE OPERATING MANUAL PACKED WITH THIS EQUIPMENT BEFORE OPERATING.

FAILURE TO HEED THESE WARNINGS MAY RESULT IN LOSS OF LOAD, DAMAGE, AND/OR FAILURE RESULTING IN PROPERTY DAMAGE, PERSONAL OR FATAL INJURY.

DISPOSE OF USED OIL AND OTHER AUTOMOTIVE FLUIDS IN COMPLIANCE WITH LOCAL, STATE AND FEDERAL ENVIRONMENTAL LAWS AND REGULATIONS.

IMPORTANT SAFETY TIPS



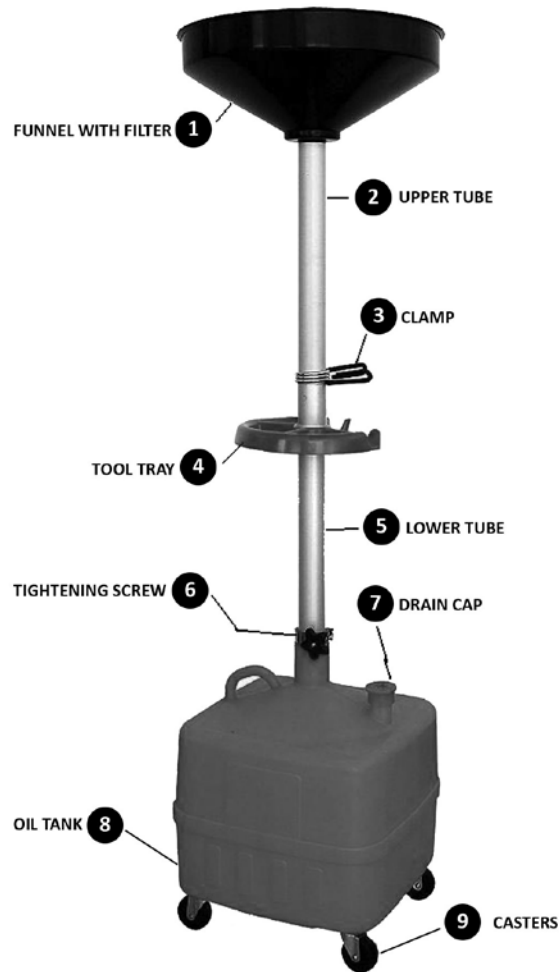
ALWAYS MAINTAIN A CLEAN WORK AREA. KEEP VISITORS AND ESPECIALLY CHILDREN AWAY FROM WORK AREA.

THIS OIL DRAIN IS TO BE OPERATED BY PROPERLY TRAINED PERSONNEL ONLY. OPERATION BY UNTRAINED PERSONNEL MAY RESULT IN INJURY AND /OR PROPERTY DAMAGE.

ASSEMBLY INSTRUCTIONS

1. Assemble the Oil Drain using the illustration below as a guide.

PARTS BREAKDOWN



Part	Description	Quantity	Part	Description	Quantity
1	Funnel With Filter	1	6	Tightening Screw	1
2	Upper Tube	1	7	Drain Cap	1
3	Clamp	1	8	Oil Tank	1
4	Tool Tray	1	9	Casters	4
5	Lower Tube	1			

SPECIFICATIONS

Funnel Diameter	Capacity	Adjustable	Shipping Weight	Shipping Dimensions
18" 457mm	9 Gallons 34 liters	32" - 64" 813mm -1626mm	15 lbs 7 kg	19" x 18"x 23" 482mm x 457mm x 584mm

BP BendPak®

R Ranger

1645 Lemonwood Dr. ● Santa Paula, CA. 93060, USA
Toll Free: 1-800-253-2363